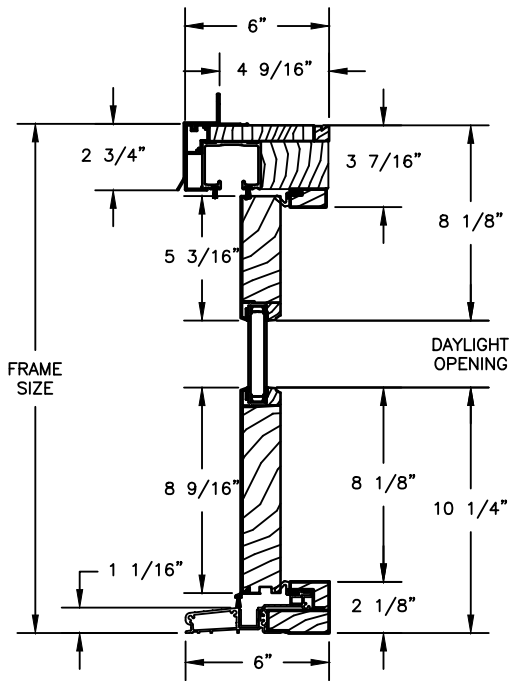


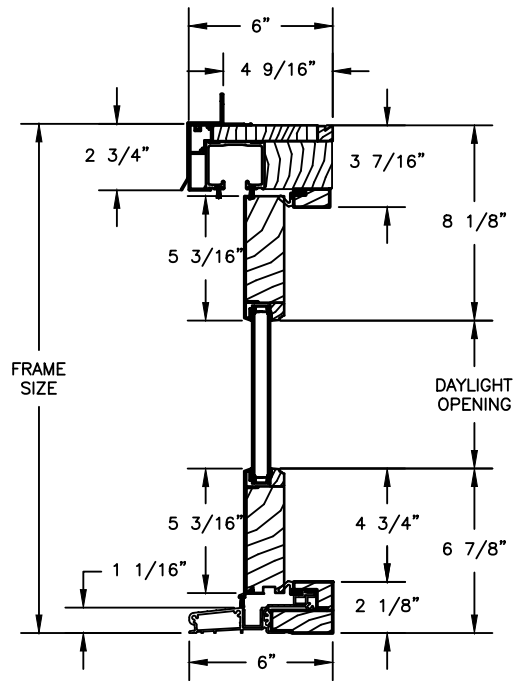
Windsor Series

CLAD OUTSWING BI-FOLD DOOR

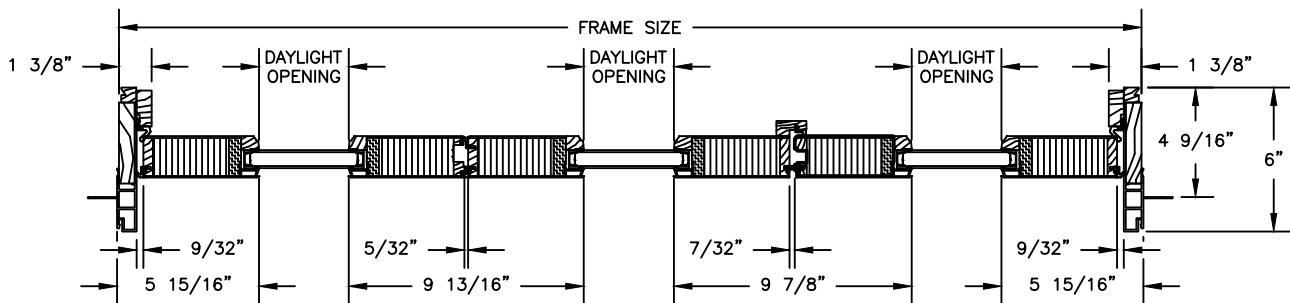
SECTION DETAILS: 4 9/16" JAMB
 SCALE: 1 1/2" = 1'-0"



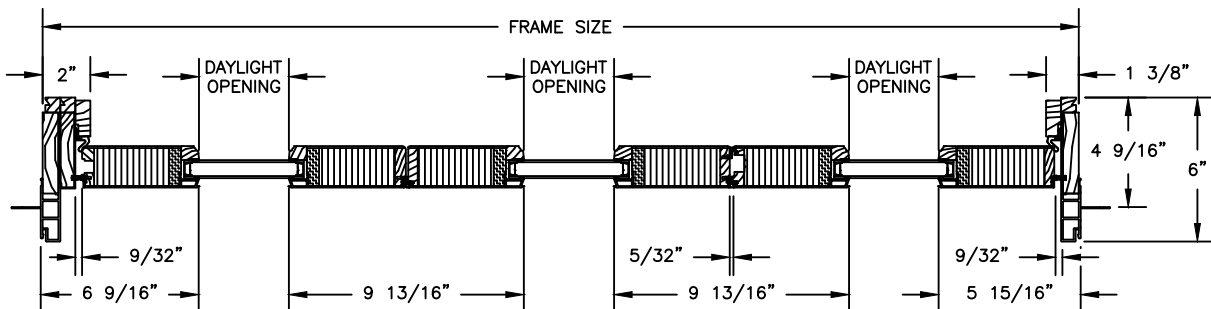
HEAD JAMB & SILL
 WITH 8" BOTTOM RAIL



HEAD JAMB & SILL
 WITH 5" BOTTOM RAIL



SIDE JAMB W/ ASTRAGAL



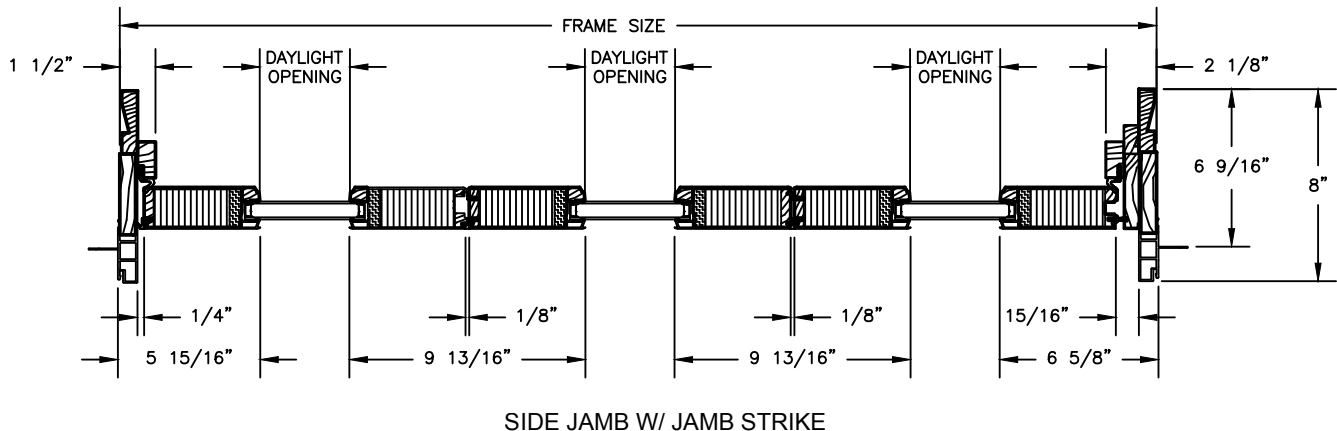
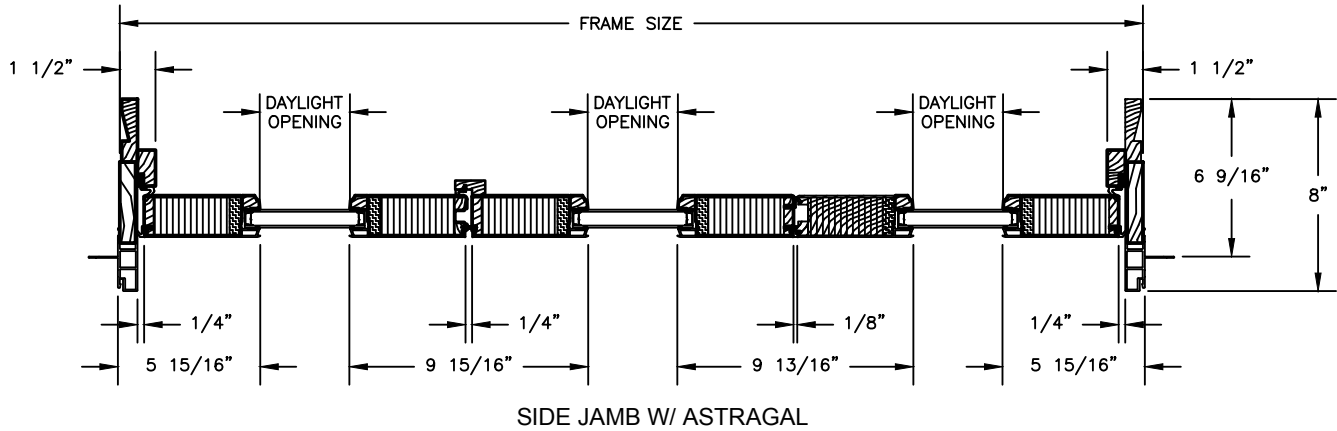
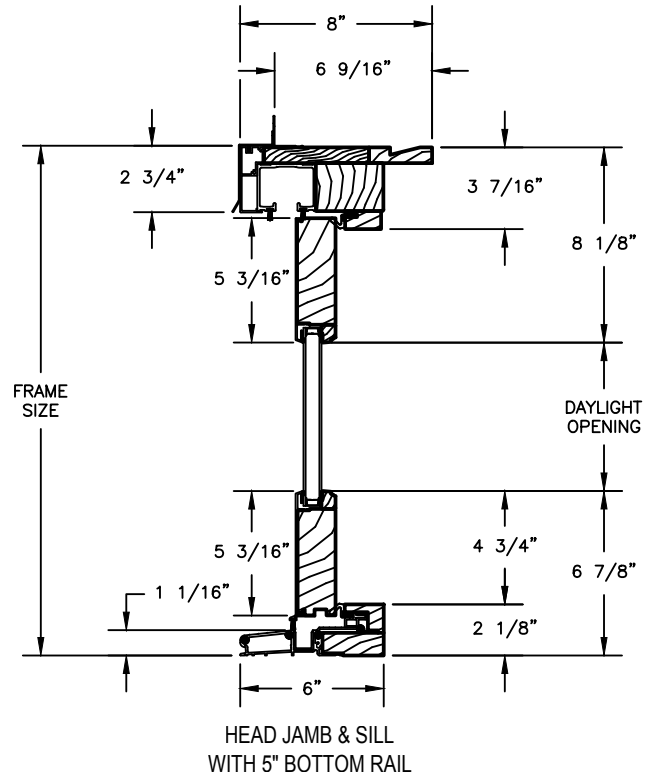
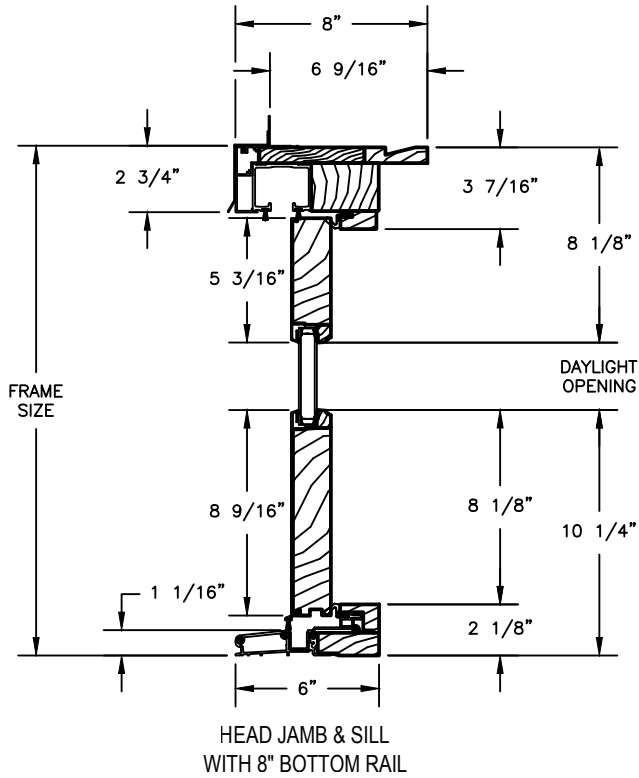
SIDE JAMB W/ JAMB STRIKE

Pinnacle Series

CLAD OUTSWING BI-FOLD DOOR

SECTION DETAILS: 6 9/16" JAMB

SCALE: 1 1/2" = 1'-0"

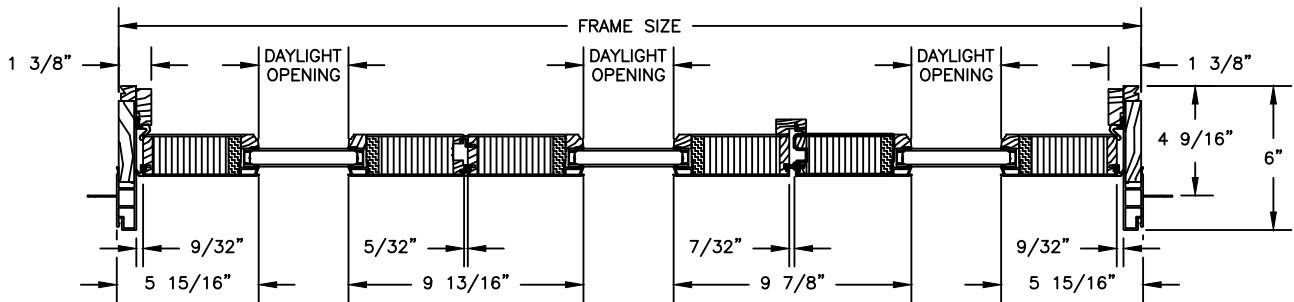
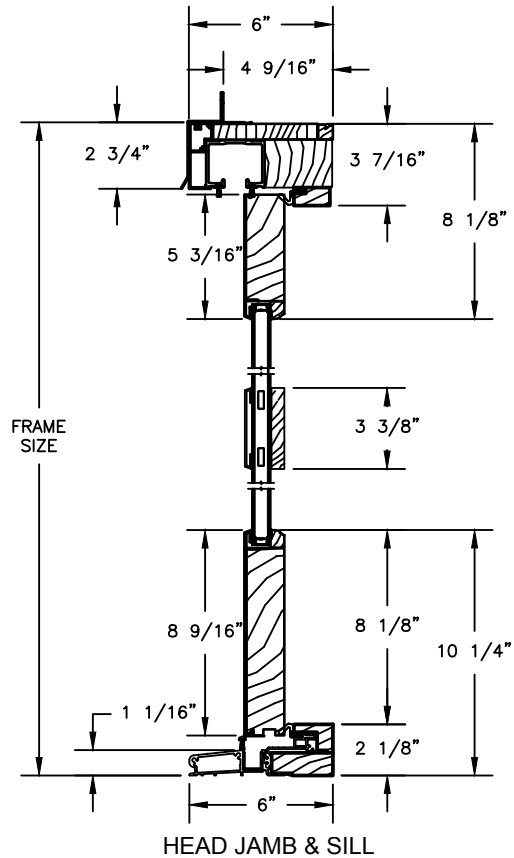


Windsor Series

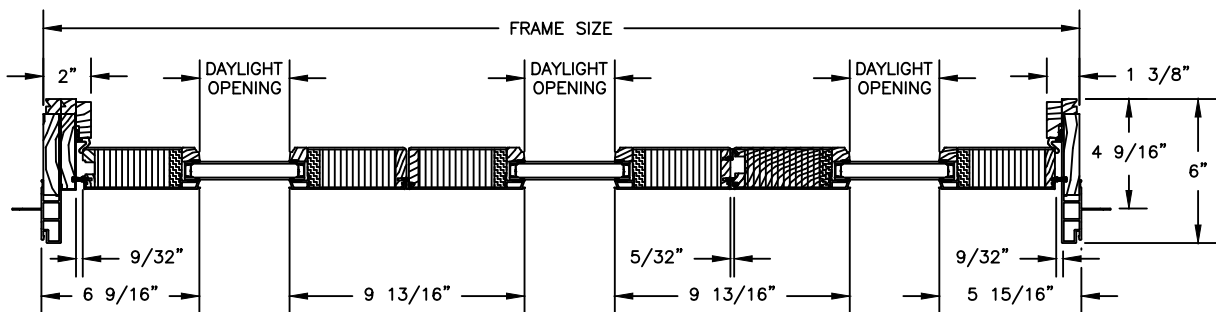
CLAD FRENCH BI-FOLD DOOR SIMULATED MIDRAIL

SECTION DETAILS: 4 9/16" JAMB

SCALE: 1 1/2" = 1'-0"



SIDE JAMB W/ ASTRAGAL



SIDE JAMB W/ JAMB STRIKE



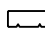
Pinnacle Series

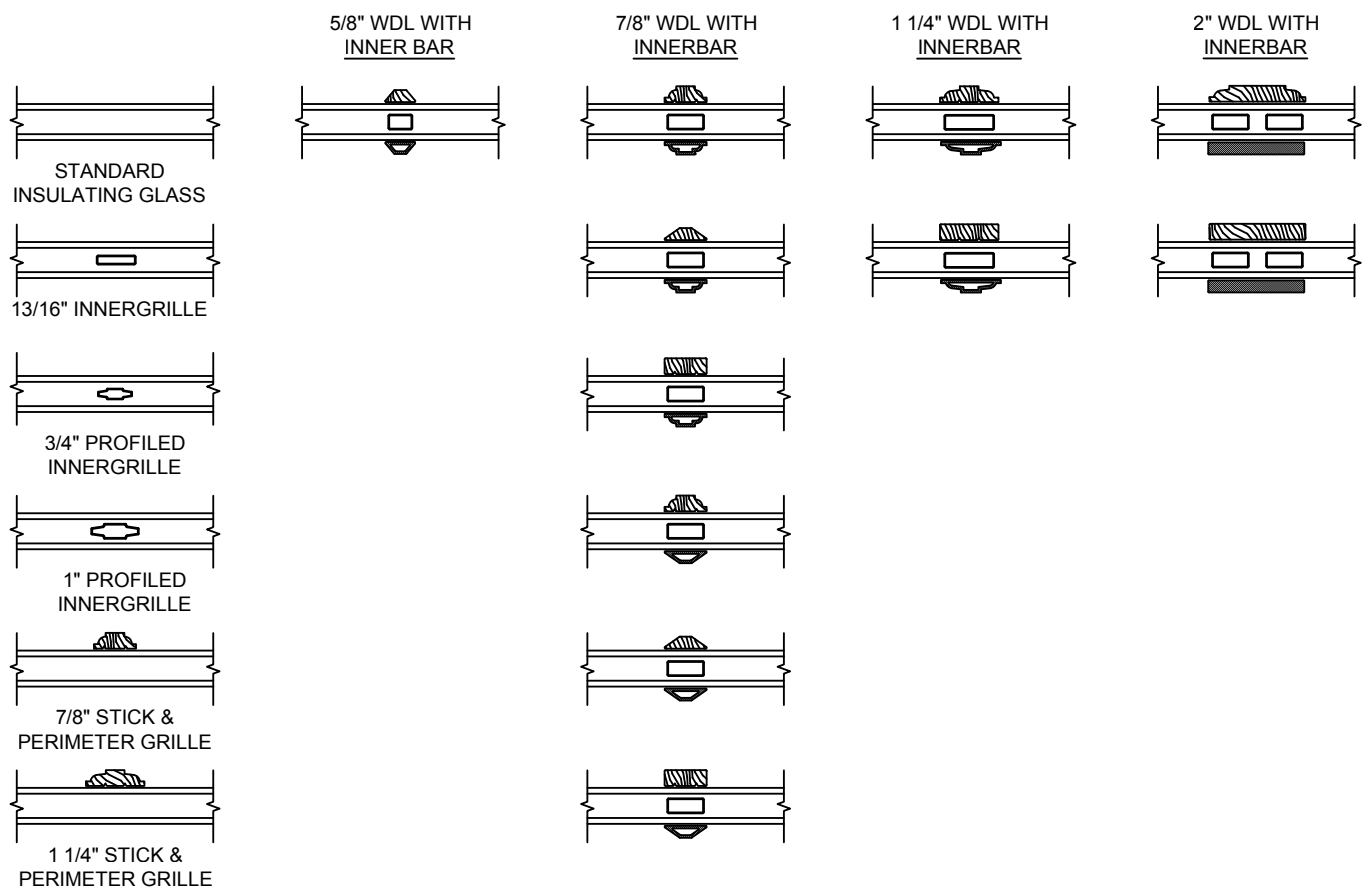
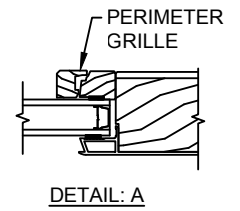
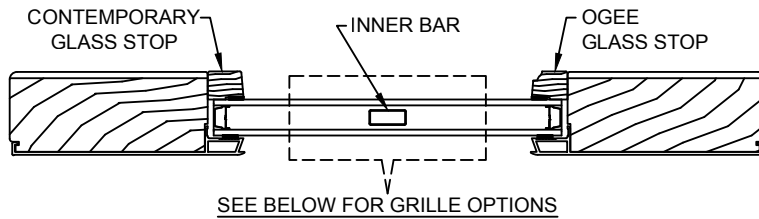
CLAD OUTSWING BI-FOLD DOOR

SECTION DETAILS : GLASS STOP & DIVIDED LITE OPTIONS

SCALE: 3" = 1'-0"

AVAILABLE STYLES

-  - PUTTY
-  - OGEE
-  - CONTEMPORARY



NOTE:

* ALL WDL OPTIONS CAN BE ORDERED WITH OR WITHOUT INNER BAR

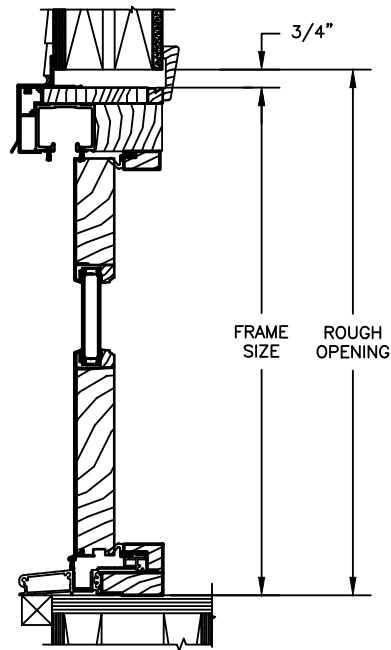
* PERIMETER GRILLES ONLY AVAILABLE IN THE 7/8" AND 1 1/4" OGEE STYLE GLASS STOP (SEE DETAIL: A)

Pinnacle Series

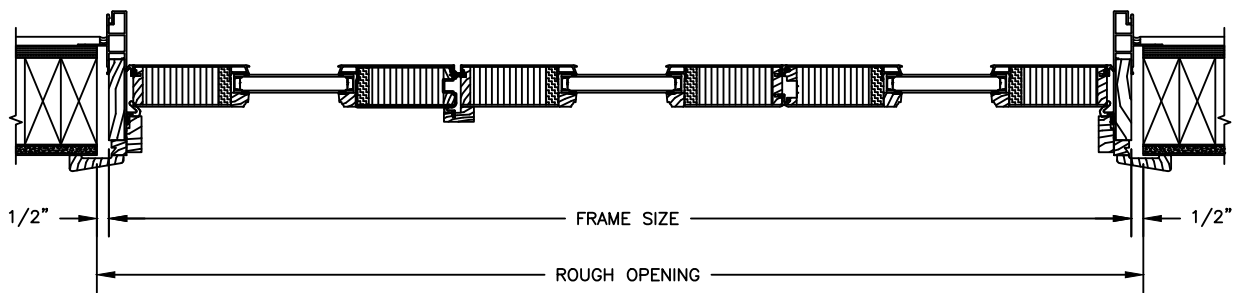
CLAD OUTSWING BI-FOLD DOOR

SECTION DETAILS : CONSTRUCTION

SCALE: 1 1/2" = 1'-0"



HEAD JAMB & SILL
2 X 6 FRAME WITH SIDING

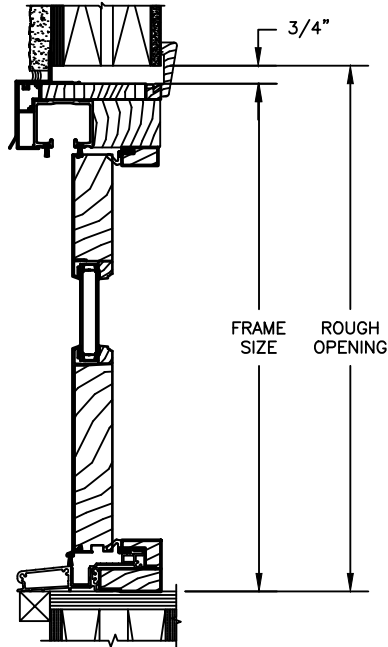


JAMBS
2 X 6 FRAME WITH SIDING

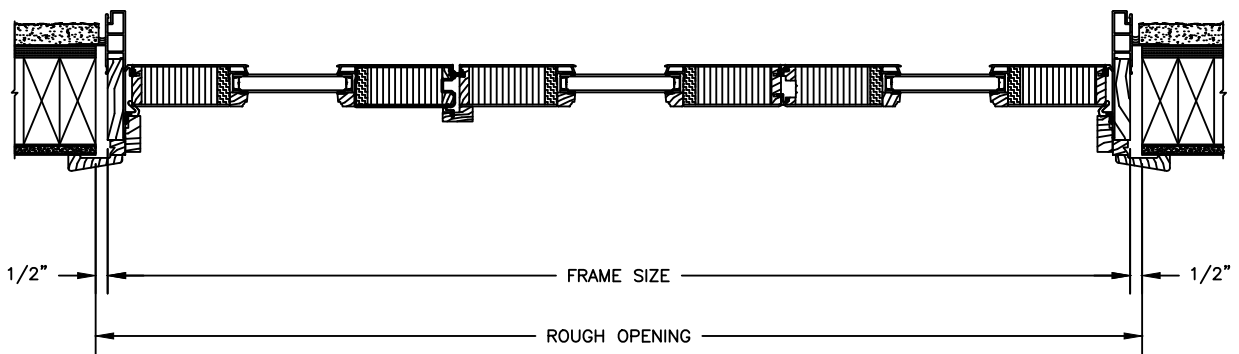
Pinnacle Series

CLAD OUTSWING BI-FOLD DOOR

SECTION DETAILS : CONSTRUCTION
SCALE: 1 1/2" = 1'-0"



HEAD JAMB & SILL
2 X 4 FRAME WITH STUCCO



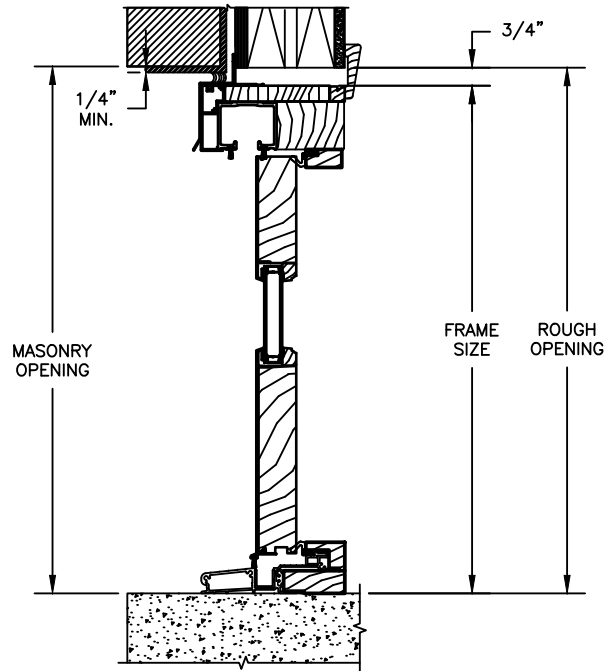
JAMBS
2 X 4 FRAME WITH STUCCO

Pinnacle Series

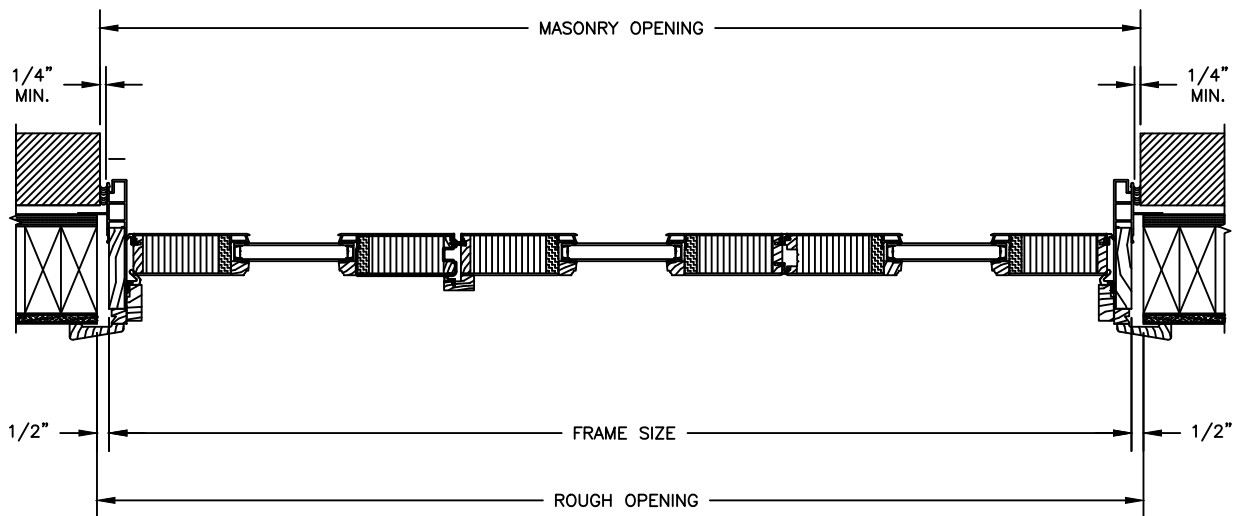
CLAD OUTSWING BI-FOLD DOOR

SECTION DETAILS : CONSTRUCTION

SCALE: 1 1/2" = 1'-0"



HEAD JAMB & SILL
2 X 6 FRAME WITH BRICK VENEER



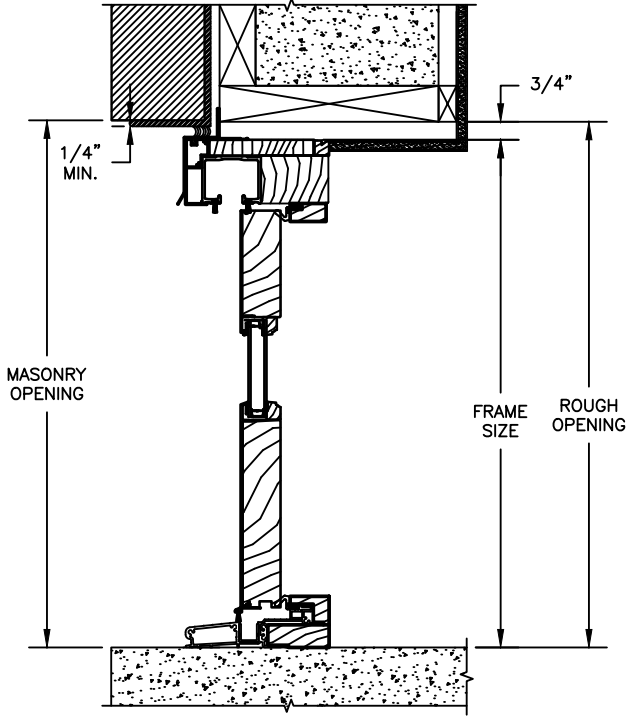
JAMBS
2 X 6 FRAME WITH BRICK VENEER

Pinnacle Series

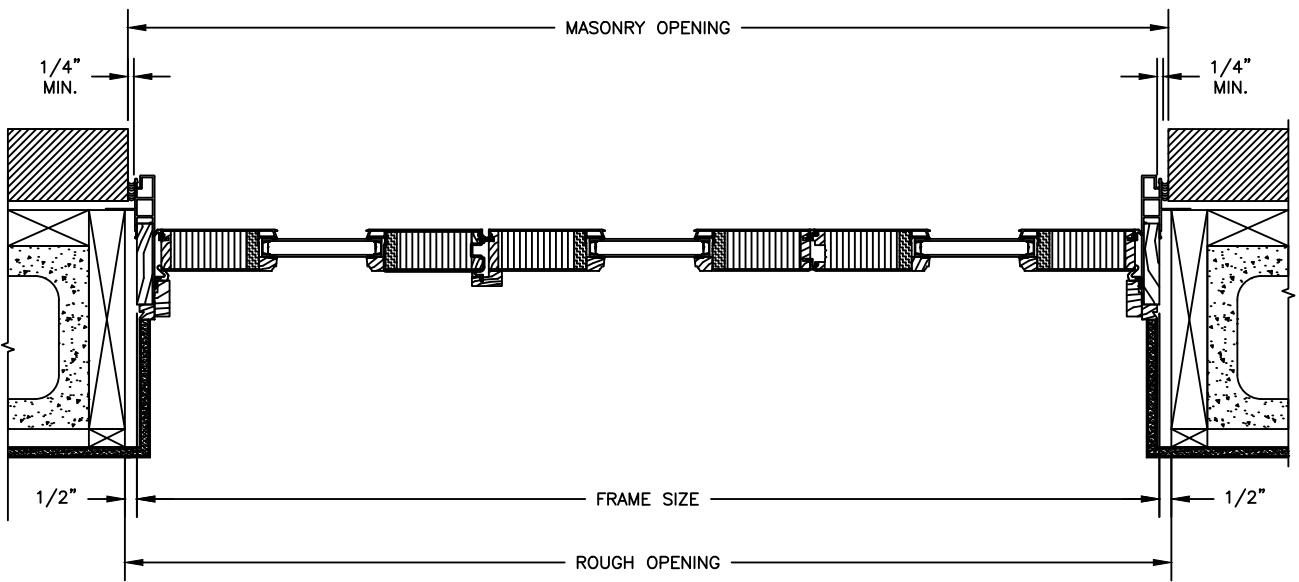
CLAD OUTSWING BI-FOLD DOOR

SECTION DETAILS : CONSTRUCTION

SCALE: 1 1/2" = 1'-0"



HEAD JAMB & SILL
8" CONCRETE BLOCK WALL
WITH BRICK VENEER



JAMBS
8" CONCRETE BLOCK WALL
WITH BRICK VENEER