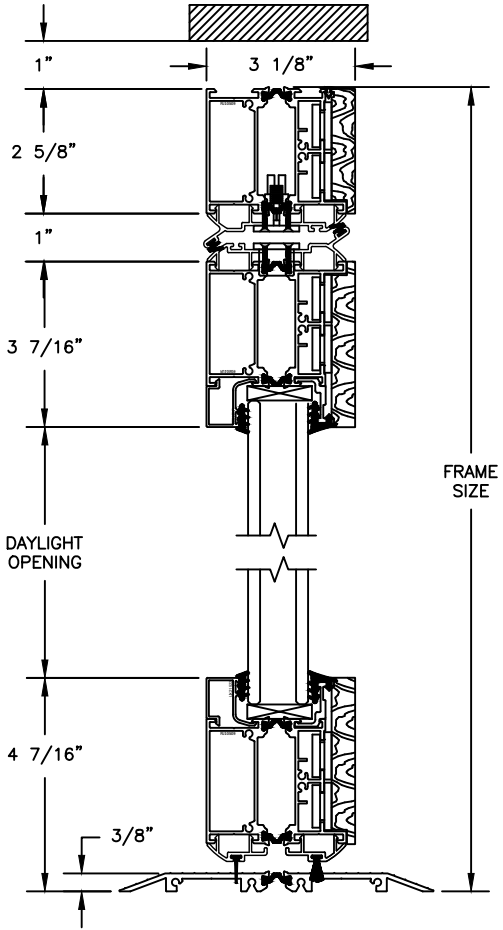


# Pinnacle Select

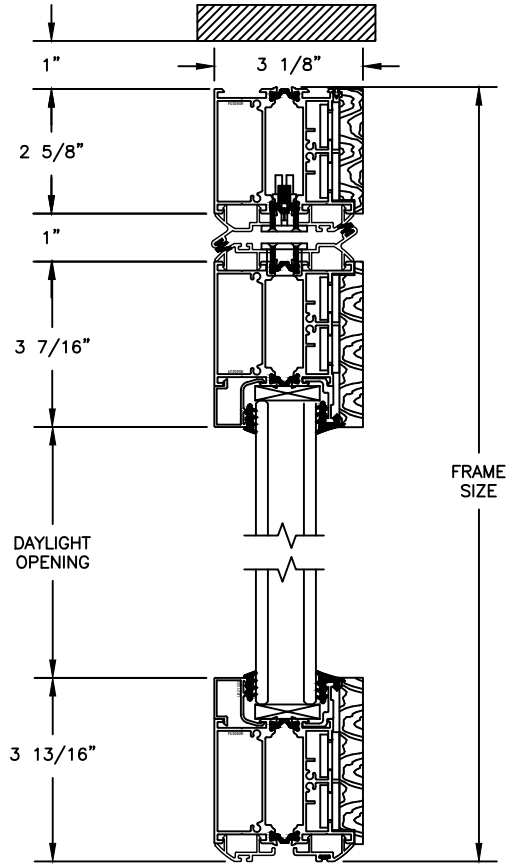
## PIVOT DOOR SECTIONS - Full Lite

SECTION DETAILS

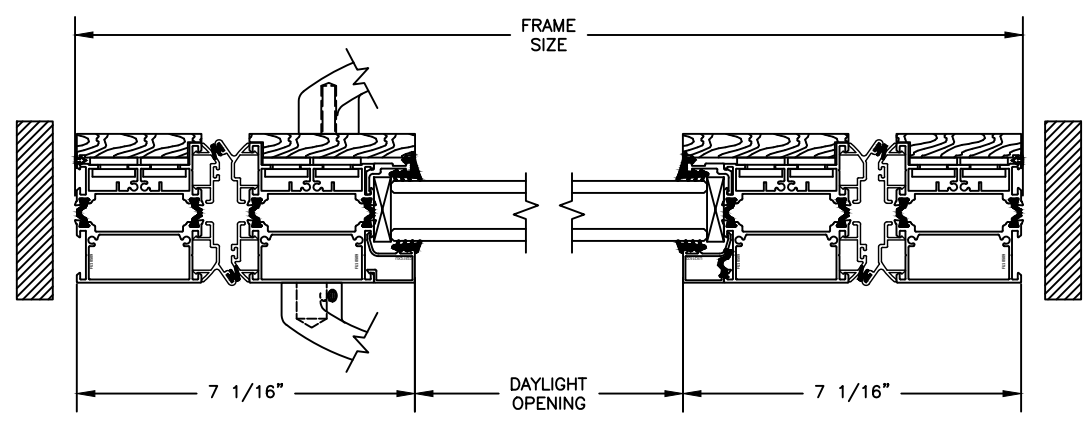
SCALE: 3" = 1'-0"



OPERATING HANDICAP HEAD JAMB & SILL



OPERATING HEAD JAMB - NO SILL



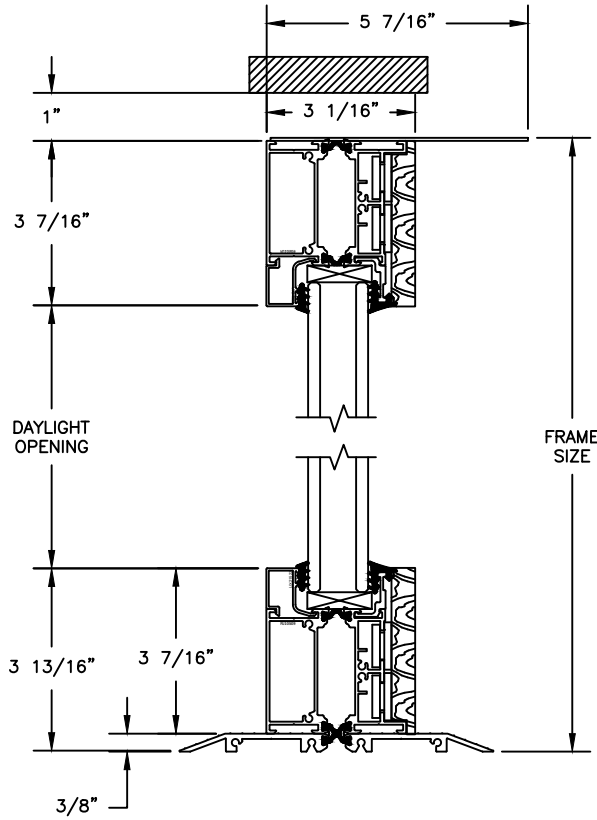
1 PANEL

# Pinnacle Select

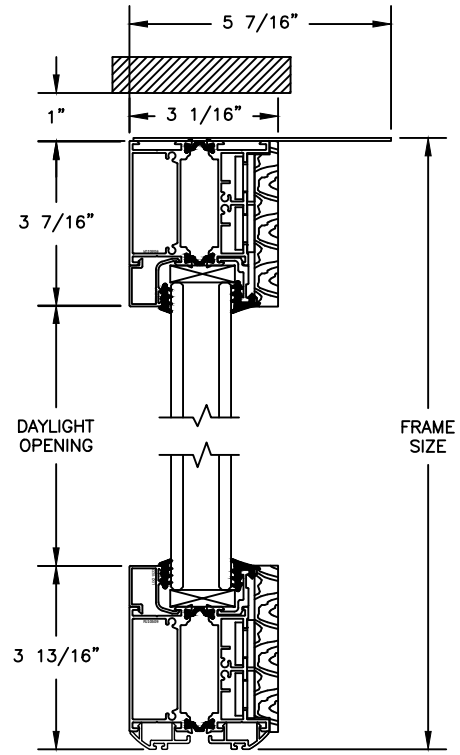
## PIVOT DOOR SECTIONS - Full Lite

### SECTION DETAILS

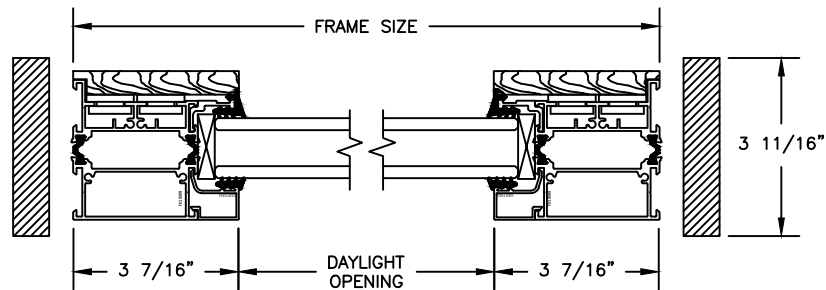
SCALE: 3" = 1'-0"



OPERATING HANDICAP HEAD JAMB & SILL



OPERATING HEAD JAMB - NO SILL



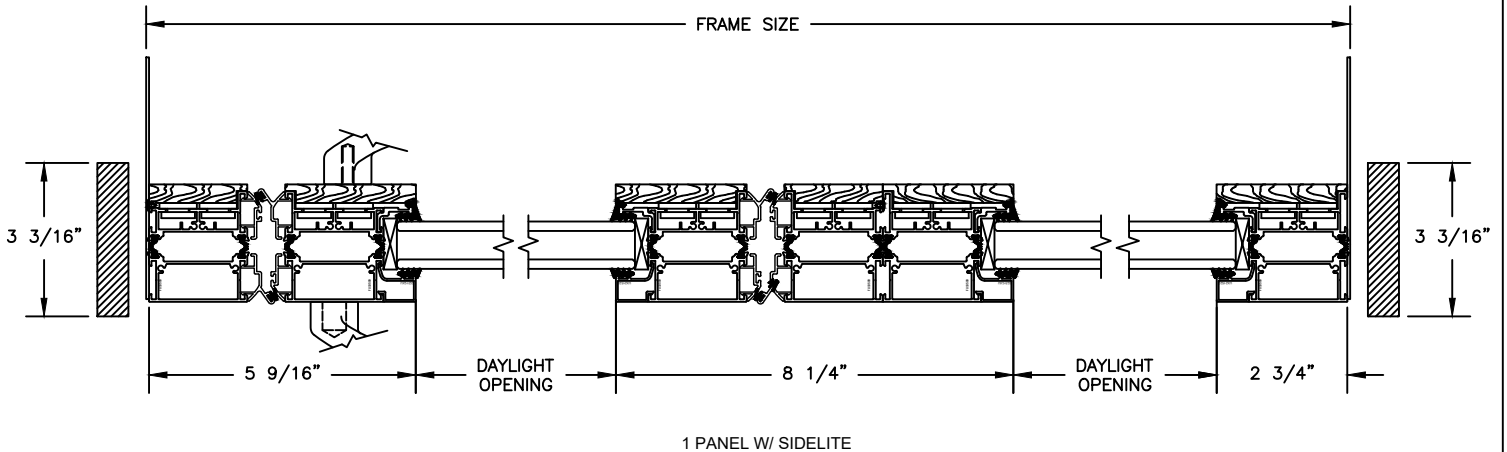
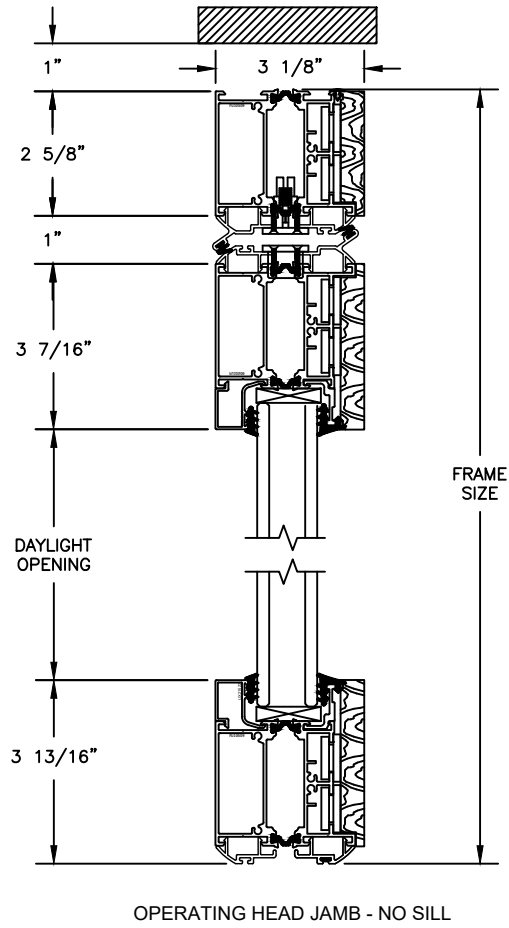
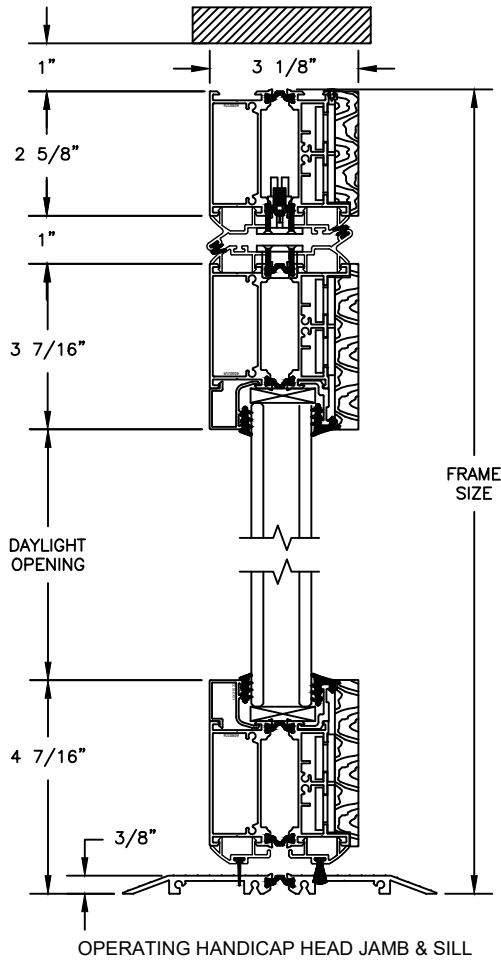
1 SIDELITE

# Pinnacle Select

## PIVOT DOOR SECTIONS - Full Lite

SECTION DETAILS

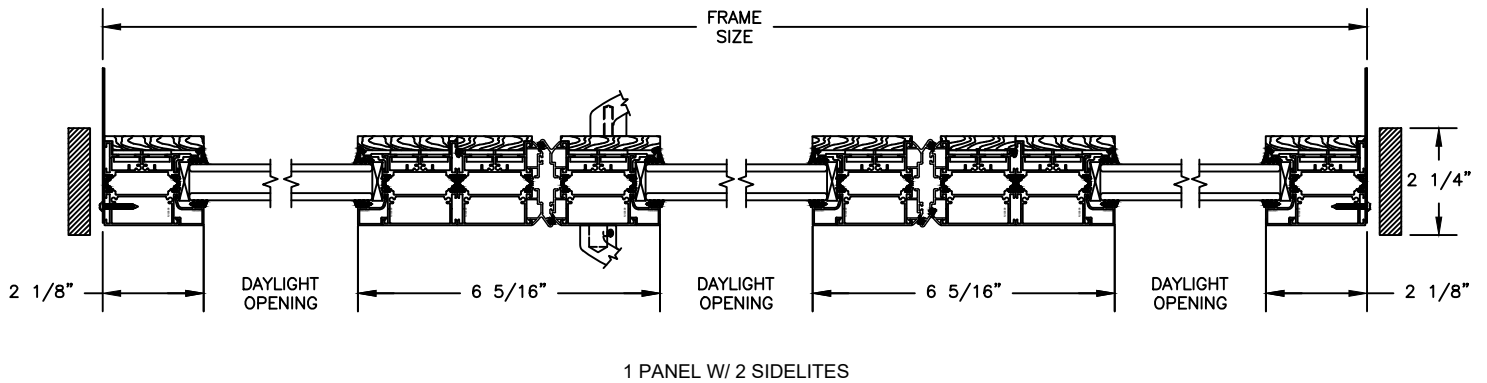
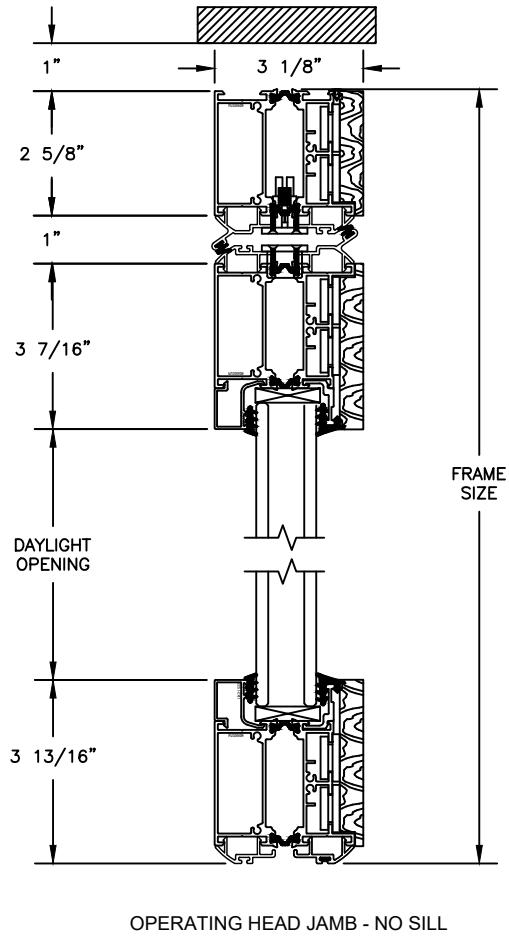
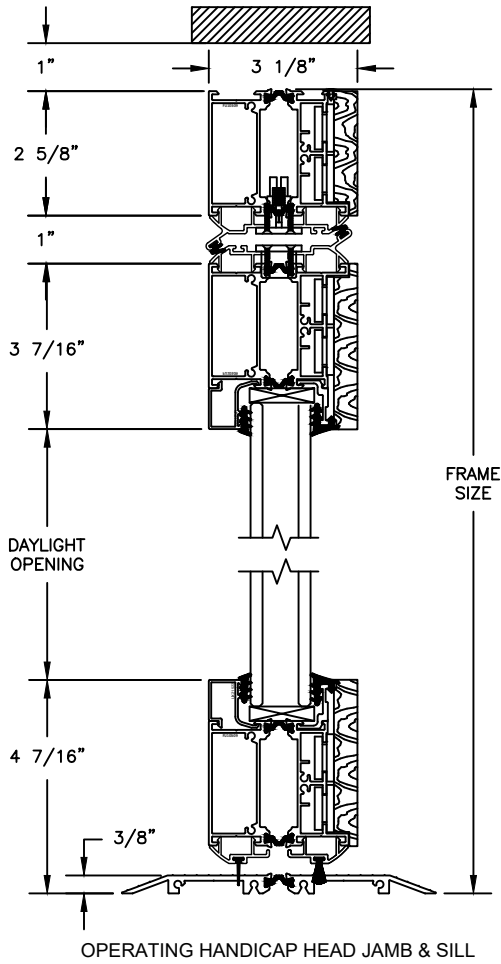
SCALE: 3" = 1'-0"



# Pinnacle Select

## PIVOT DOOR SECTIONS - Full Lite

SECTION DETAILS  
 SCALE: 3" = 1'-0"

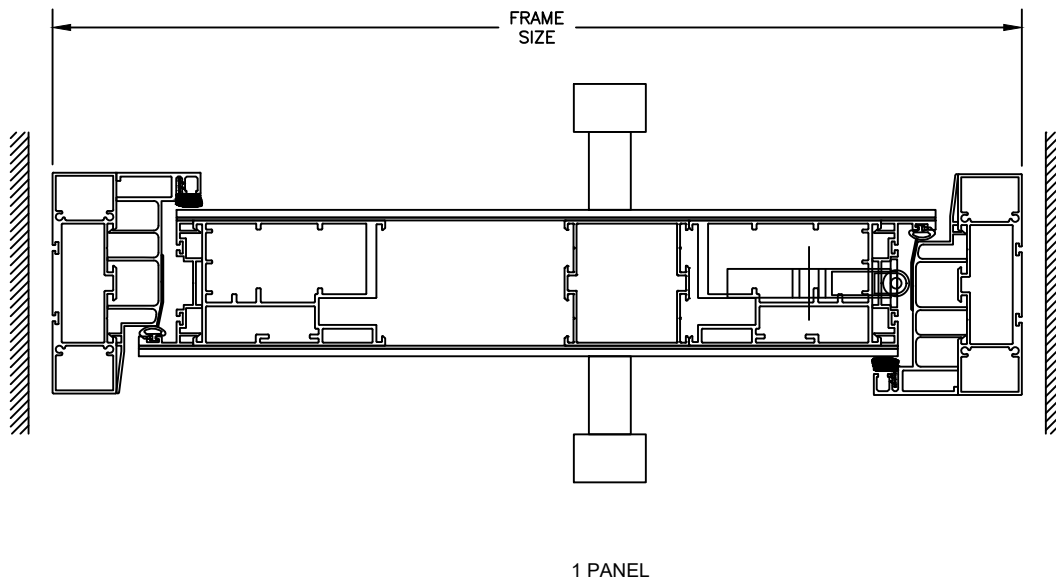
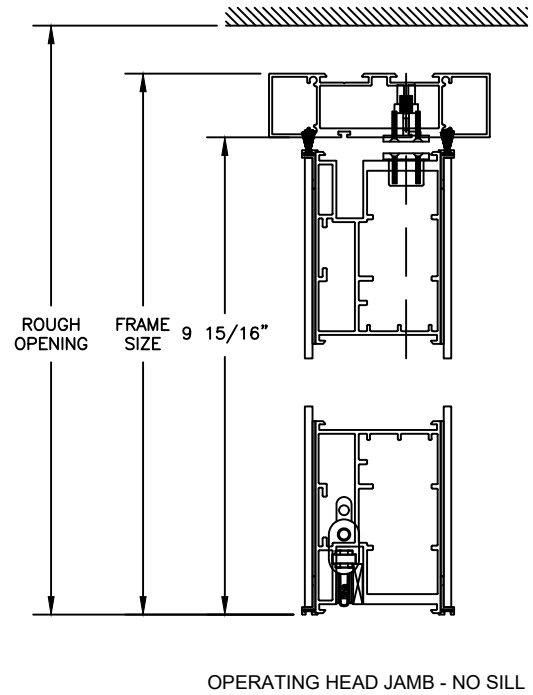
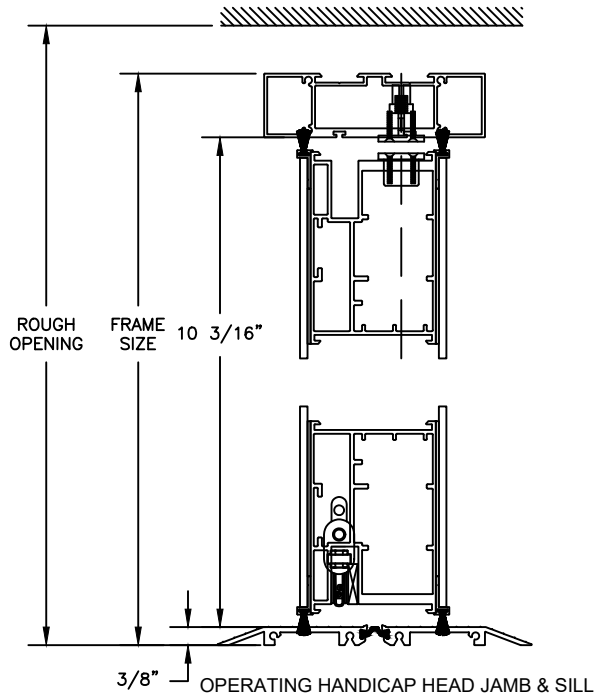


# Pinnacle Select

## PIVOT DOOR SECTIONS - Voyage

SECTION DETAILS - VOYAGE

SCALE: 3" = 1'-0"

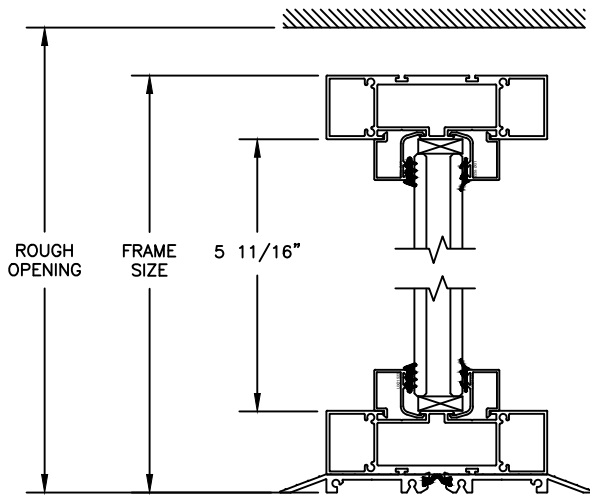


# Pinnacle Select

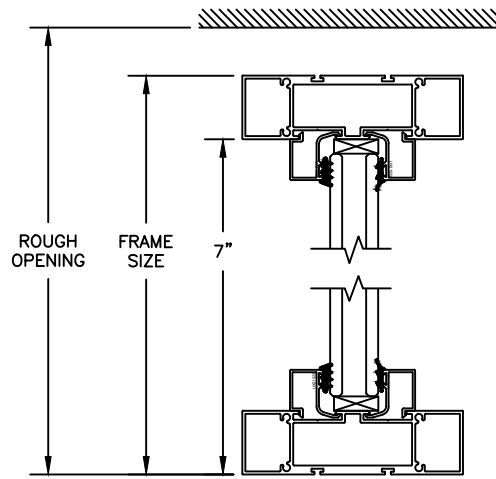
## PIVOT DOOR SECTIONS - Voyage

SECTION DETAILS - VOYAGE

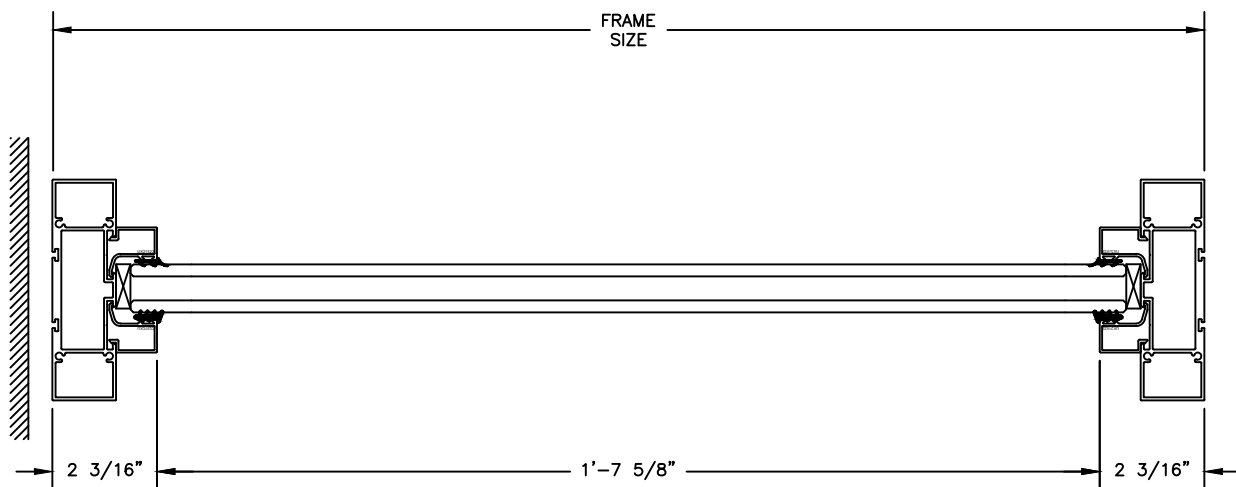
SCALE: 3" = 1'-0"



OPERATING HEAD HANDICAP JAMB & SILL



OPERATING HEAD JAMB - NO SILL



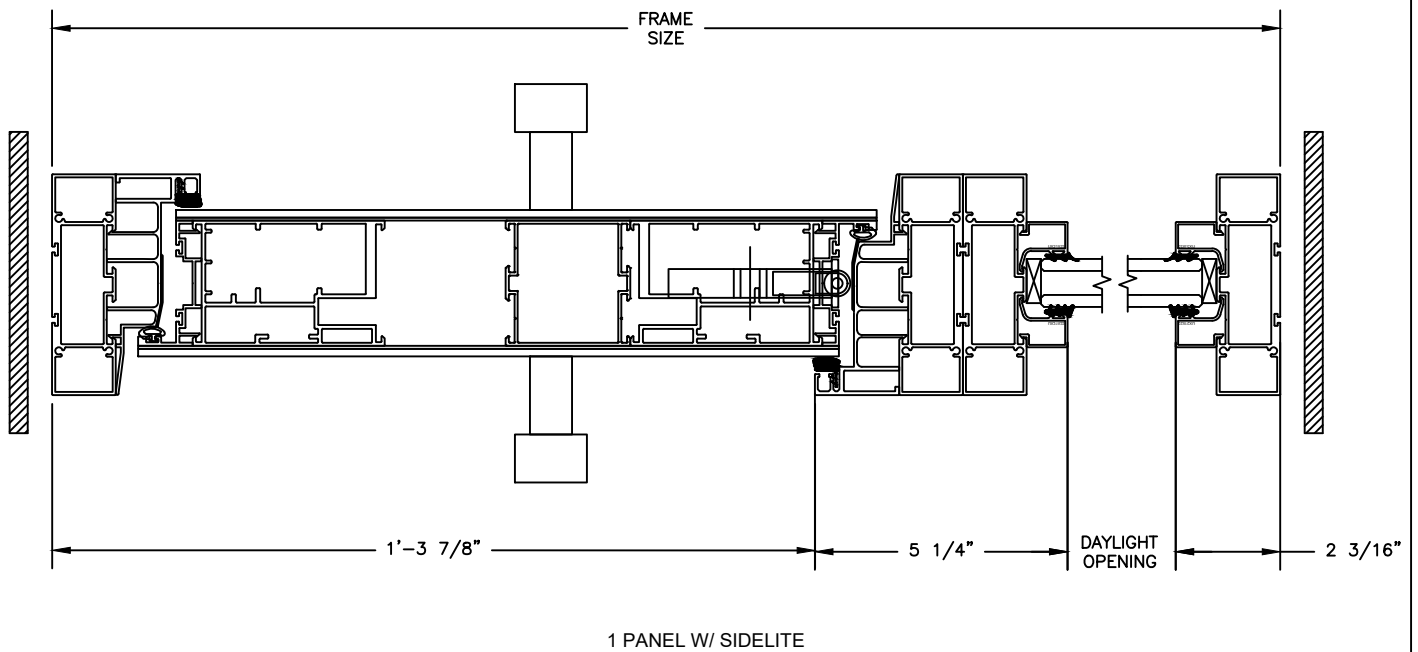
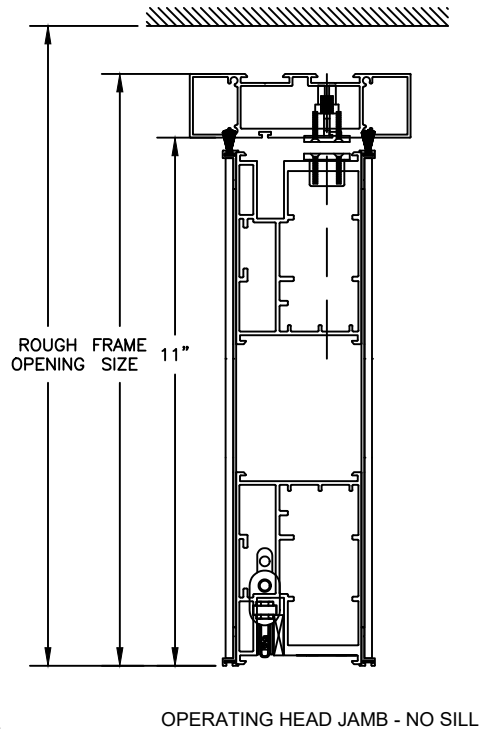
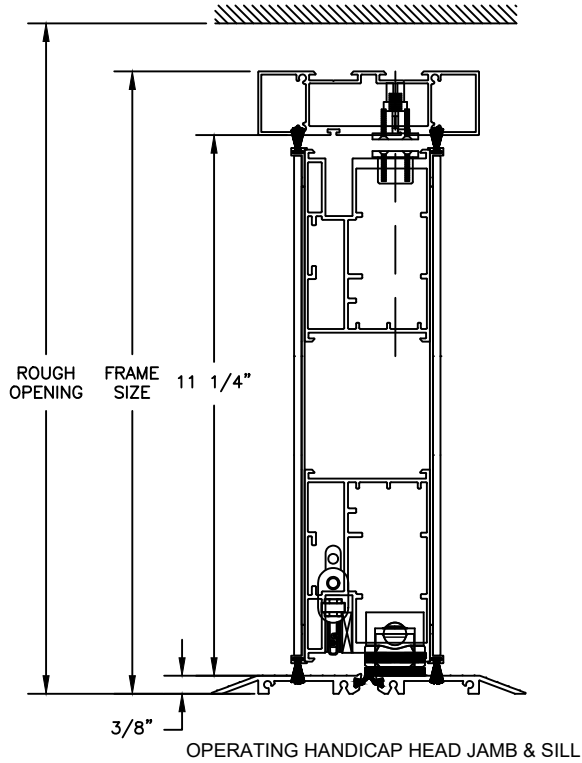
VOYAGE - 1 SIDELITE

# Pinnacle Select

## PIVOT DOOR SECTIONS - Voyage

SECTION DETAILS - VOYAGE

SCALE: 3" = 1'-0"

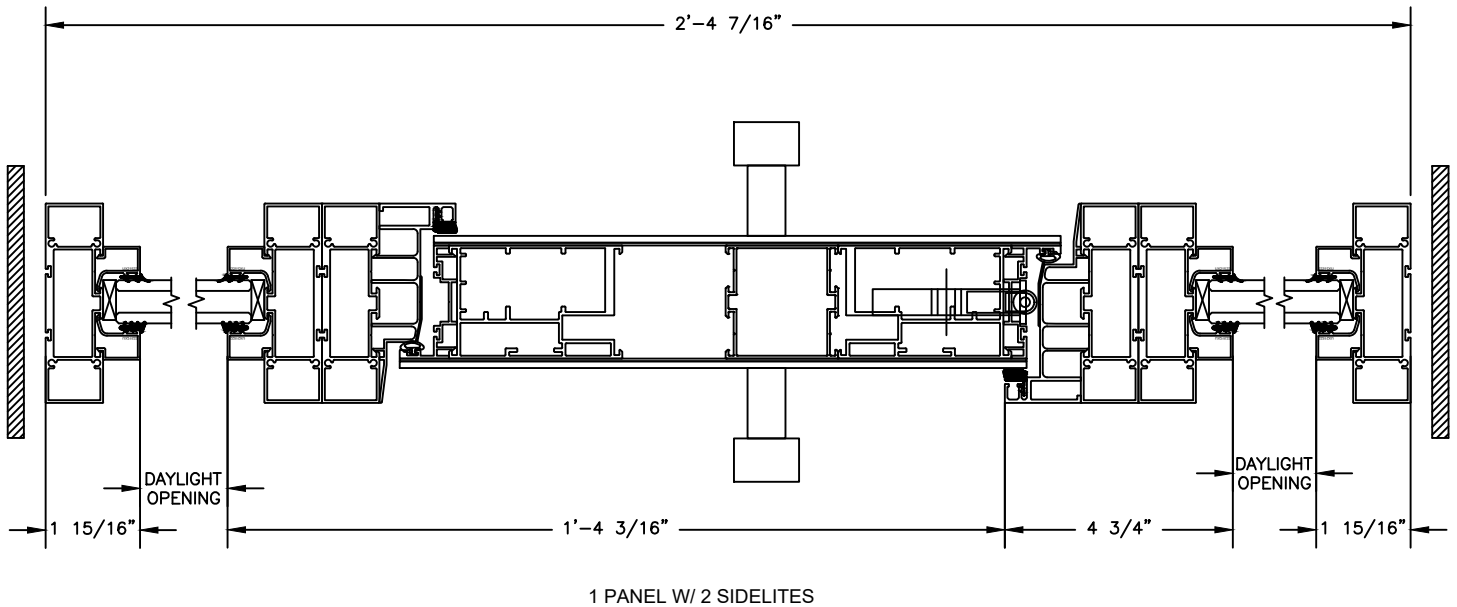
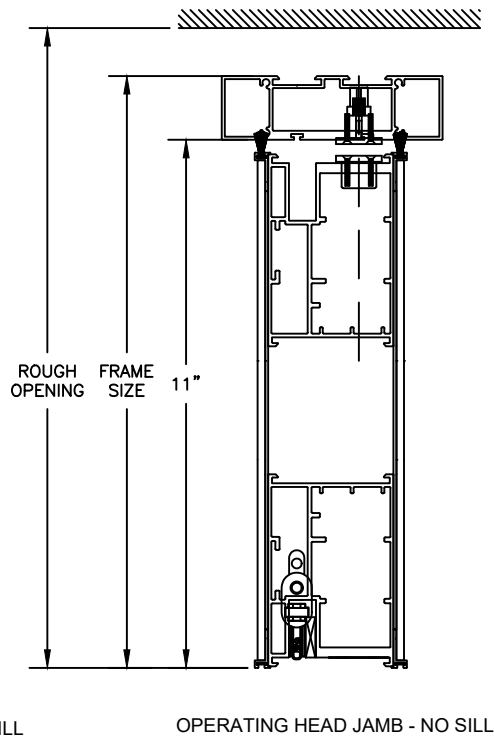
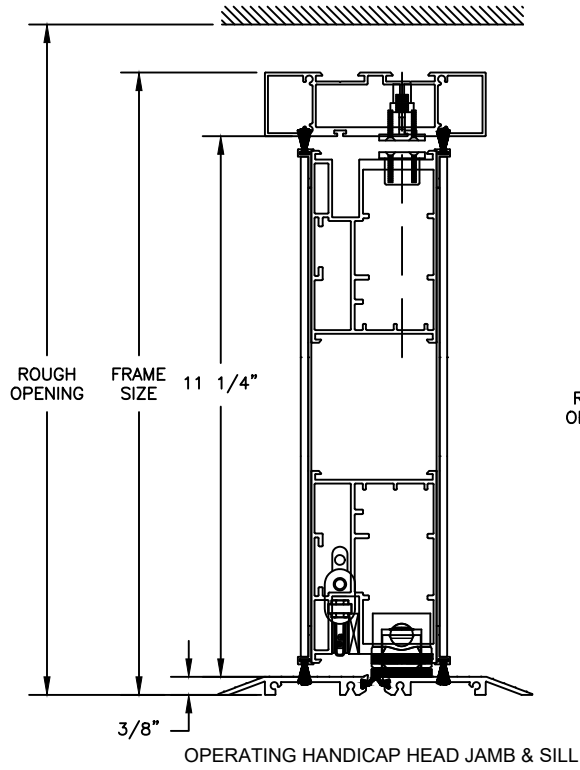


# Pinnacle Select

## PIVOT DOOR SECTIONS - Voyage

SECTION DETAILS - VOYAGE

SCALE: 3" = 1'-0"

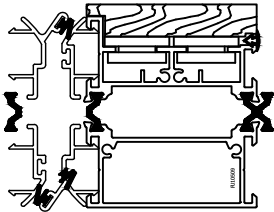


# Pinnacle Select

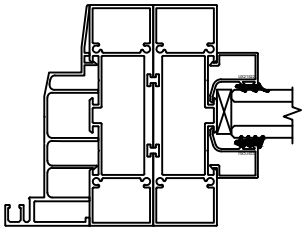
## PIVOT DOOR SECTIONS

---

SECTION DETAILS MULLIONS  
SCALE: 3" = 1'-0"



VERTICAL MULLION  
OPERATOR/SIDELITE



VERTICAL MULLION  
SIDELITE/OPERATOR