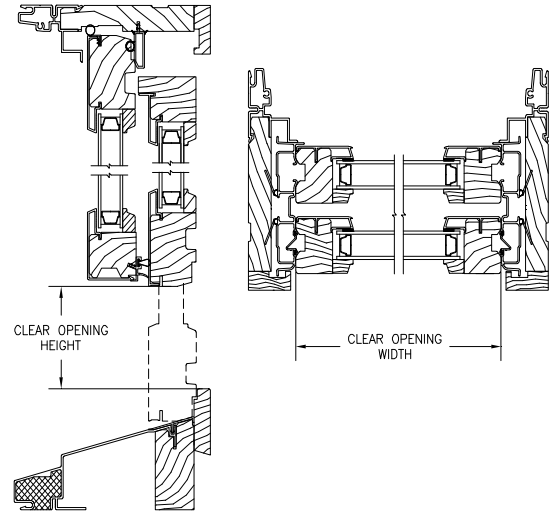


Pinnacle Series

CLAD DOUBLE HUNG

EGRESS, LITE & SCREEN MEASUREMENTS

Egress, Lite and Vent Measurements									
Double Hung									
Size	Egress Width	Egress Height**	Sq. Ft. Egress	Egress Code Compliance*			Sq. Ft. Daylite	Screen Size	
				U.S.		Canada		Width	Height
				5.0 ft ²	5.7 ft ²				
1614	18.00	14.00	1.75	-	-	-	2.68	19 7/8	34 13/16
1616	18.00	16.00	2.00	-	-	-	3.13	19 7/8	38 13/16
1620	18.00	20.00	2.50	-	-	-	3.96	19 7/8	46 13/16
1622	18.00	22.00	2.75	-	-	-	4.38	19 7/8	50 13/16
1624	18.00	24.00	3.00	-	-	-	4.79	19 7/8	54 13/16
1626	18.00	26.00	3.25	-	-	-	5.21	19 7/8	58 13/16
1628	18.00	28.00	3.50	-	-	-	5.63	19 7/8	62 13/16
1630	18.00	30.00	3.75	-	-	-	6.04	19 7/8	66 13/16
1632	18.00	32.00	4.00	-	-	Y	6.46	19 7/8	70 13/16
1634	18.00	34.00	4.25	-	-	Y	6.88	19 7/8	74 13/16
1636	18.00	36.00	4.50	-	-	Y	7.29	19 7/8	78 13/16
1638	18.00	38.00	4.75	-	-	Y	7.71	19 7/8	82 13/16
1640	18.00	40.00	5.00	-	-	Y	8.13	19 7/8	86 13/16
1642	18.00	42.00	5.25	-	-	Y	8.54	19 7/8	90 13/16
1644	18.00	44.00	5.50	-	-	Y	8.96	19 7/8	94 13/16
2014	22.00	14.00	2.14	-	-	-	3.40	23 7/8	34 13/16
2016	22.00	16.00	2.44	-	-	-	3.96	23 7/8	38 13/16
2020	22.00	20.00	3.06	-	-	-	5.01	23 7/8	46 13/16
2022	22.00	22.00	3.36	-	-	-	5.54	23 7/8	50 13/16
2024	22.00	24.00	3.67	-	-	-	6.07	23 7/8	54 13/16
2026	22.00	26.00	3.97	-	-	Y	6.60	23 7/8	58 13/16
2028	22.00	28.00	4.28	-	-	Y	7.13	23 7/8	62 13/16
2030	22.00	30.00	4.58	-	-	Y	7.65	23 7/8	66 13/16
2032	22.00	32.00	4.89	-	-	Y	8.18	23 7/8	70 13/16
2034	22.00	34.00	5.19	Y	-	Y	8.71	23 7/8	74 13/16
2036	22.00	36.00	5.50	Y	-	Y	9.24	23 7/8	78 13/16
2038	22.00	38.00	5.81	Y	Y	Y	9.76	23 7/8	82 13/16
2040	22.00	40.00	6.11	Y	Y	Y	10.29	23 7/8	86 13/16
2042	22.00	42.00	6.42	Y	Y	Y	10.82	23 7/8	90 13/16
2044	22.00	44.00	6.72	Y	Y	Y	11.35	23 7/8	94 13/16
2414	26.00	14.00	2.53	-	-	-	4.12	27 7/8	34 13/16
2416	26.00	16.00	2.89	-	-	-	4.79	27 7/8	38 13/16
2420	26.00	20.00	3.61	-	-	-	6.07	27 7/8	46 13/16
2422	26.00	22.00	3.97	-	-	Y	6.71	27 7/8	50 13/16
2424	26.00	24.00	4.33	-	-	Y	7.35	27 7/8	54 13/16
2426	26.00	26.00	4.69	-	-	Y	7.99	27 7/8	58 13/16
2428	26.00	28.00	5.06	Y	-	Y	8.63	27 7/8	62 13/16
2430	26.00	30.00	5.42	Y	-	Y	9.26	27 7/8	66 13/16
2432	26.00	32.00	5.78	Y	Y	Y	9.90	27 7/8	70 13/16
2434	26.00	34.00	6.14	Y	Y	Y	10.54	27 7/8	74 13/16
2436	26.00	36.00	6.50	Y	Y	Y	11.18	27 7/8	78 13/16
2438	26.00	38.00	6.86	Y	Y	Y	11.82	27 7/8	82 13/16
2440	26.00	40.00	7.22	Y	Y	Y	12.46	27 7/8	86 13/16
2442	26.00	42.00	7.58	Y	Y	Y	13.10	27 7/8	90 13/16
2444	26.00	44.00	7.94	Y	Y	Y	13.74	27 7/8	94 13/16
2614	28.00	14.00	2.72	-	-	-	4.51	29 7/8	34 13/16
2616	28.00	16.00	3.11	-	-	-	5.21	29 7/8	38 13/16
2620	28.00	20.00	3.89	-	-	Y	6.60	29 7/8	46 13/16
2622	28.00	22.00	4.28	-	-	Y	7.29	29 7/8	50 13/16
2624	28.00	24.00	4.67	-	-	Y	7.99	29 7/8	54 13/16
2626	28.00	26.00	5.06	Y	-	Y	8.68	29 7/8	58 13/16
2628	28.00	28.00	5.44	Y	-	Y	9.38	29 7/8	62 13/16
2630	28.00	30.00	5.83	Y	Y	Y	10.07	29 7/8	66 13/16
2632	28.00	32.00	6.22	Y	Y	Y	10.76	29 7/8	70 13/16
2634	28.00	34.00	6.61	Y	Y	Y	11.46	29 7/8	74 13/16
2636	28.00	36.00	7.00	Y	Y	Y	12.15	29 7/8	78 13/16
2638	28.00	38.00	7.39	Y	Y	Y	12.85	29 7/8	82 13/16
2640	28.00	40.00	7.78	Y	Y	Y	13.54	29 7/8	86 13/16
2642	28.00	42.00	8.17	Y	Y	Y	14.24	29 7/8	90 13/16
2644	28.00	44.00	8.56	Y	Y	Y	14.93	29 7/8	94 13/16



Egress Conversions	
Width	Glass + 2"
Height	Glass

* Egress Code Compliance Terminology

- Y Meets Code
- Does Not Meet Code

Code Requirements	Min Width	Min Height	Min Area
U.S.	20"	24"	5.7
U.S. Grade Floor	20"	24"	5.0
Canada	15"	15"	3.77

** For DP Upgrade/WZ3 Impact units:
 Subtract 0.5" from Egress Height
 Egress Width does not change
 To get sq.ft: Multiply (Width x Height) / 144

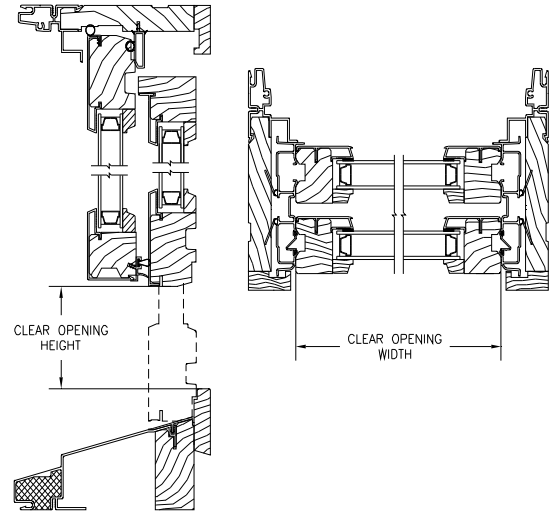
*** For HVHZ Impact units:
 Subtract 2.219" from Egress Height
 Egress Width does not change
 To get sq.ft: Multiply (Width x Height) / 144

Pinnacle Series

CLAD DOUBLE HUNG

EGRESS, LITE & SCREEN MEASUREMENTS

Egress, Lite and Vent Measurements									
Double Hung									
Size	Egress Width	Egress Height**	Sq. Ft. Egress	Egress Code Compliance*			Sq. Ft. Daylite	Screen Size	
				U.S.		Canada		Width	Height
				5.0 ft ²	5.7 ft ²				
2814	30.00	14.00	2.92	-	-	-	4.80	31 7/8	34 13/16
2816	30.00	16.00	3.33	-	-	-	5.63	31 7/8	38 13/16
2820	30.00	20.00	4.17	-	-	Y	7.13	31 7/8	46 13/16
2822	30.00	22.00	4.58	-	-	Y	7.88	31 7/8	50 13/16
2824	30.00	24.00	5.00	Y	-	Y	8.63	31 7/8	54 13/16
2826	30.00	26.00	5.42	Y	-	Y	9.38	31 7/8	58 13/16
2828	30.00	28.00	5.83	Y	Y	Y	10.13	31 7/8	62 13/16
2830	30.00	30.00	6.25	Y	Y	Y	10.88	31 7/8	66 13/16
2832	30.00	32.00	6.67	Y	Y	Y	11.63	31 7/8	70 13/16
2834	30.00	34.00	7.08	Y	Y	Y	12.38	31 7/8	74 13/16
2836	30.00	36.00	7.50	Y	Y	Y	13.13	31 7/8	78 13/16
2838	30.00	38.00	7.92	Y	Y	Y	13.88	31 7/8	82 13/16
2840	30.00	40.00	8.33	Y	Y	Y	14.63	31 7/8	86 13/16
2842	30.00	42.00	8.75	Y	Y	Y	15.38	31 7/8	90 13/16
2844	30.00	44.00	9.17	Y	Y	Y	16.13	31 7/8	94 13/16
3014	32.00	14.00	3.11	-	-	-	5.24	33 7/8	34 13/16
3016	32.00	16.00	3.56	-	-	Y	6.04	33 7/8	38 13/16
3020	32.00	20.00	4.44	-	-	Y	7.65	33 7/8	46 13/16
3022	32.00	22.00	4.89	-	-	Y	8.46	33 7/8	50 13/16
3024	32.00	24.00	5.33	Y	-	Y	9.26	33 7/8	54 13/16
3026	32.00	26.00	5.78	Y	Y	Y	10.07	33 7/8	58 13/16
3028	32.00	28.00	6.22	Y	Y	Y	10.88	33 7/8	62 13/16
3030	32.00	30.00	6.67	Y	Y	Y	11.68	33 7/8	66 13/16
3032	32.00	32.00	7.11	Y	Y	Y	12.49	33 7/8	70 13/16
3034	32.00	34.00	7.56	Y	Y	Y	13.29	33 7/8	74 13/16
3036	32.00	36.00	8.00	Y	Y	Y	14.10	33 7/8	78 13/16
3038	32.00	38.00	8.44	Y	Y	Y	14.90	33 7/8	82 13/16
3040	32.00	40.00	8.89	Y	Y	Y	15.71	33 7/8	86 13/16
3042	32.00	42.00	9.33	Y	Y	Y	16.51	33 7/8	90 13/16
3044	32.00	44.00	9.78	Y	Y	Y	17.32	33 7/8	94 13/16
3214	34.00	14.00	3.31	-	-	-	5.51	35 7/8	34 13/16
3216	34.00	16.00	3.78	-	-	Y	6.46	35 7/8	38 13/16
3220	34.00	20.00	4.72	-	-	Y	8.18	35 7/8	46 13/16
3222	34.00	22.00	5.19	-	-	Y	9.04	35 7/8	50 13/16
3224	34.00	24.00	5.67	Y	-	Y	9.90	35 7/8	54 13/16
3226	34.00	26.00	6.14	Y	Y	Y	10.76	35 7/8	58 13/16
3228	34.00	28.00	6.61	Y	Y	Y	11.63	35 7/8	62 13/16
3230	34.00	30.00	7.08	Y	Y	Y	12.49	35 7/8	66 13/16
3232	34.00	32.00	7.56	Y	Y	Y	13.35	35 7/8	70 13/16
3234	34.00	34.00	8.03	Y	Y	Y	14.21	35 7/8	74 13/16
3236	34.00	36.00	8.50	Y	Y	Y	15.07	35 7/8	78 13/16
3238	34.00	38.00	8.97	Y	Y	Y	15.93	35 7/8	82 13/16
3240	34.00	40.00	9.44	Y	Y	Y	16.79	35 7/8	86 13/16
3242	34.00	42.00	9.92	Y	Y	Y	17.65	35 7/8	90 13/16
3244	34.00	44.00	10.39	Y	Y	Y	18.51	35 7/8	94 13/16
3614	38.00	14.00	3.69	-	-	-	6.23	39 7/8	34 13/16
3616	38.00	16.00	4.22	-	-	Y	7.29	39 7/8	38 13/16
3620	38.00	20.00	5.28	-	-	Y	9.24	39 7/8	46 13/16
3622	38.00	22.00	5.81	-	-	Y	10.21	39 7/8	50 13/16
3624	38.00	24.00	6.33	Y	Y	Y	11.18	39 7/8	54 13/16
3626	38.00	26.00	6.86	Y	Y	Y	12.15	39 7/8	58 13/16
3628	38.00	28.00	7.39	Y	Y	Y	13.13	39 7/8	62 13/16
3630	38.00	30.00	7.92	Y	Y	Y	14.10	39 7/8	66 13/16
3632	38.00	32.00	8.44	Y	Y	Y	15.07	39 7/8	70 13/16
3634	38.00	34.00	8.97	Y	Y	Y	16.04	39 7/8	74 13/16
3636	38.00	36.00	9.50	Y	Y	Y	17.01	39 7/8	78 13/16
3638	38.00	38.00	10.03	Y	Y	Y	17.99	39 7/8	82 13/16
3640	38.00	40.00	10.56	Y	Y	Y	18.96	39 7/8	86 13/16
3642	38.00	42.00	11.08	Y	Y	Y	19.93	39 7/8	90 13/16
3644	38.00	44.00	11.61	Y	Y	Y	20.90	39 7/8	94 13/16



Egress Conversions	
Width	Glass + 2"
Height	Glass

* Egress Code Compliance Terminology

- Y Meets Code
- Does Not Meet Code

Code Requirements	Min Width	Min Height	Min Area
U.S.	20"	24"	5.7
U.S. Grade Floor	20"	24"	5.0
Canada	15"	15"	3.77

** For DP Upgrade/WZ3 Impact units:
 Subtract 0.5" from Egress Height
 Egress Width does not change
 To get sq.ft: Multiply (Width x Height) / 144

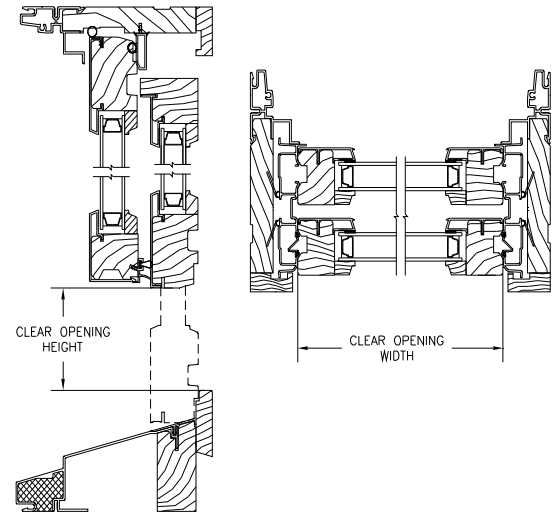
*** For HVHZ Impact units:
 Subtract 2.219" from Egress Height
 Egress Width does not change
 To get sq.ft: Multiply (Width x Height) / 144

Pinnacle Series

CLAD DOUBLE HUNG

EGRESS, LITE & SCREEN MEASUREMENTS

Egress, Lite and Vent Measurements									
Double Hung									
Size	Egress Width	Egress Height**	Sq. Ft. Egress	Egress Code Compliance*			Sq. Ft. Daylite	Screen Size	
				U.S.		Canada		Width	Height
				5.0 ft ²	5.7 ft ²				
4014	42.00	14.00	4.08	-	-	Y	7.02	43 7/8	34 13/16
4016	42.00	16.00	4.67	-	-	Y	8.13	43 7/8	38 13/16
4020	42.00	20.00	5.83	-	-	Y	10.29	43 7/8	46 13/16
4022	42.00	22.00	6.42	-	-	Y	11.38	43 7/8	50 13/16
4024	42.00	24.00	7.00	Y	Y	Y	12.46	43 7/8	54 13/16
4026	42.00	26.00	7.58	Y	Y	Y	13.54	43 7/8	58 13/16
4028	42.00	28.00	8.17	Y	Y	Y	14.63	43 7/8	62 13/16
4030	42.00	30.00	8.75	Y	Y	Y	15.71	43 7/8	66 13/16
4032	42.00	32.00	9.33	Y	Y	Y	16.79	43 7/8	70 13/16
4034	42.00	34.00	9.92	Y	Y	Y	17.88	43 7/8	74 13/16
4036	42.00	36.00	10.50	Y	Y	Y	18.96	43 7/8	78 13/16
4038	42.00	38.00	11.08	Y	Y	Y	20.04	43 7/8	82 13/16
4040	42.00	40.00	11.67	Y	Y	Y	21.13	43 7/8	86 13/16
4042	42.00	42.00	12.25	Y	Y	Y	22.21	43 7/8	90 13/16
4044	42.00	44.00	12.83	Y	Y	Y	23.29	43 7/8	94 13/16
4214	44.00	14.00	4.28	-	-	Y	7.4	45 7/8	34 13/16
4216	44.00	16.00	4.89	-	-	Y	8.54	45 7/8	38 13/16
4220	44.00	20.00	6.11	-	-	Y	10.82	45 7/8	46 13/16
4222	44.00	22.00	6.72	-	-	Y	11.96	45 7/8	50 13/16
4224	44.00	24.00	7.33	Y	Y	Y	13.1	45 7/8	54 13/16
4226	44.00	26.00	7.94	Y	Y	Y	14.24	45 7/8	58 13/16
4228	44.00	28.00	8.56	Y	Y	Y	15.38	45 7/8	62 13/16
4230	44.00	30.00	9.17	Y	Y	Y	16.51	45 7/8	66 13/16
4232	44.00	32.00	9.78	Y	Y	Y	17.65	45 7/8	70 13/16
4234	44.00	34.00	10.39	Y	Y	Y	18.79	45 7/8	74 13/16
4236	44.00	36.00	11.00	Y	Y	Y	19.93	45 7/8	78 13/16
4238	44.00	38.00	11.61	Y	Y	Y	21.07	45 7/8	82 13/16
4240	44.00	40.00	12.22	Y	Y	Y	22.21	45 7/8	86 13/16
4242	44.00	42.00	12.83	Y	Y	Y	23.35	45 7/8	90 13/16
4244	44.00	44.00	13.44	Y	Y	Y	24.49	45 7/8	94 13/16
Cottage									
162436	18.00	24.00	3.00	-	-	-	6.04	19 7/8	66 13/16
202436	22.00	24.00	3.67	-	-	-	7.65	23 7/8	66 13/16
242436	26.00	24.00	4.33	-	-	Y	9.26	27 7/8	66 13/16
262436	28.00	24.00	4.67	-	-	Y	10.069	29 7/8	66 13/16
282436	30.00	24.00	5.00	Y	-	Y	10.88	31 7/8	66 13/16
302436	32.00	24.00	5.33	Y	-	Y	11.681	33 7/8	66 13/16
322436	34.00	24.00	5.67	Y	-	Y	12.49	35 7/8	66 13/16
362436	38.00	24.00	6.33	Y	Y	Y	14.10	39 7/8	66 13/16
402436	42.00	24.00	7.00	Y	Y	Y	15.71	43 7/8	66 13/16
Oriel									
163624	18.00	24.00	3.00	-	-	-	6.04	19 7/8	66 13/16
203624	22.00	24.00	3.67	-	-	-	7.65	23 7/8	66 13/16
243624	26.00	24.00	4.33	-	-	Y	9.26	27 7/8	66 13/16
263624	28.00	24.00	4.67	-	-	Y	10.069	29 7/8	66 13/16
283624	30.00	24.00	5.00	Y	-	Y	10.88	31 7/8	66 13/16
303624	32.00	24.00	5.33	Y	-	Y	11.681	33 7/8	66 13/16
323624	34.00	24.00	5.67	Y	-	Y	12.49	35 7/8	66 13/16
363624	38.00	24.00	6.33	Y	Y	Y	14.10	39 7/8	66 13/16
403624	42.00	24.00	7.00	Y	Y	Y	15.71	43 7/8	66 13/16



Egress Conversions - Standard	
Width	Glass + 2"
Height	Glass

Egress Conversions - Cottage	
Width	Glass + 2"
Height	Glass (Top)

Egress Conversions - Oriel	
Width	Glass + 2"
Height	Glass (Bottom)

* Egress Code Compliance Terminology

- Y Meets Code
- Does Not Meet Code

Code Requirements	Min Width	Min Height	Min Area (sq.ft.)
U.S.	20"	24"	5.7
U.S. Grade Floor	20"	24"	5.0
Canada	15"	15"	3.77

** For DP Upgrade/WZ3 Impact units:
 Subtract 0.5" from Egress Height
 Egress Width does not change
 To get sq.ft: Multiply (Width x Height) / 144

*** For HVHZ Impact units:
 Subtract 2.219" from Egress Height
 Egress Width does not change
 To get sq.ft: Multiply (Width x Height) / 144