



WINDSOR
WINDOWS & DOORS

Assembly and Setup Instructions

FOR PINNACLE SLIDING PATIO DOOR

Primed French Two, Three and Four Panel Doors

Clad Narrow Two, Three and Four Panel Doors

Clad French Two, Three and Four Panel Doors

www.windsorwindows.com

Please read and follow these instructions completely for assembly.

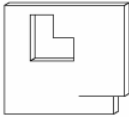
A. TOOLS NEEDED

- Screw Gun with Philips Head
- Hammer
- Silicone and Caulk Gun
- Brad Nailer with 1-1/4" Brad Nails
- Pliers or ViseGrip®

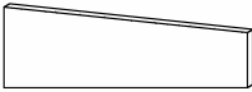
B. HARDWARE PACK ITEMS



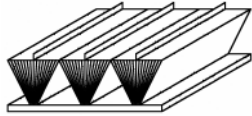
1 – Keeper



2 – Head Jamb Frame Gasket



1 – Head Jamb Cover Gasket



1 – Dust Pad



1 – L-Bracket



1 – Head Bumper Block and Pad



6 – #8 x 3/4" Philips Flat Head



5 – #6 x 3/4" Philips Pan Head



1 – 10-24 x 3/4" Philips Pan Head



3 – #10 x 1-1/4" Philips Flat Head



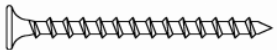
2 – #8 x 1-1/2" Philips Flat Head



2 – #8 x 2" Philips Flat Head
with Lead Point



12 – #8 x 2" Philips Bugle Head



4 – #8 x 3" Philips Bugle Head

C. TWO PANEL FRAME SETUP

(K.D. units only)

1. Place the interior face of the frame on a clean, flat surface to avoid any surface abrasions.
2. Remove sill gasket liners from both ends of sill pultrusion. (Fig. 1)
3. Align side jambs with each end of sill. Making sure the interior face of the oak threshold and the inside stops are flush, use one #8 x 1-1/2" flat head screw and screw through sill into frame extrusion (or brickmould for primed units). (Fig. 2)
4. Fasten sill to frame with three #8 x 2" bugle head screws into the remaining predrilled holes. (Fig. 2)

FIG. 1

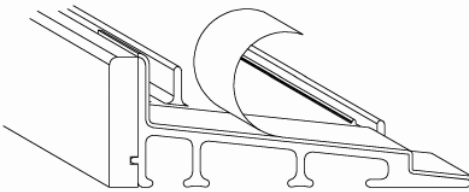
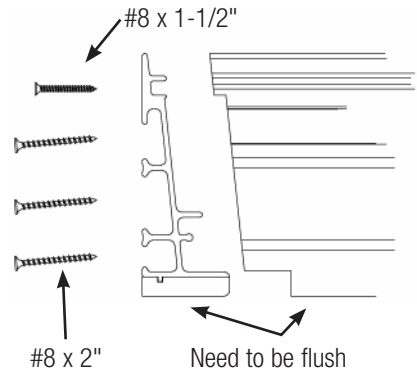


FIG. 2



C1: CLAD SETUP

1. For clad units, place head jamb gaskets on frame extrusion and remove liner. (Fig. 3)
2. Insert corner keys into side jambs and tap in with hammer. (Fig. 4)

FIG. 3

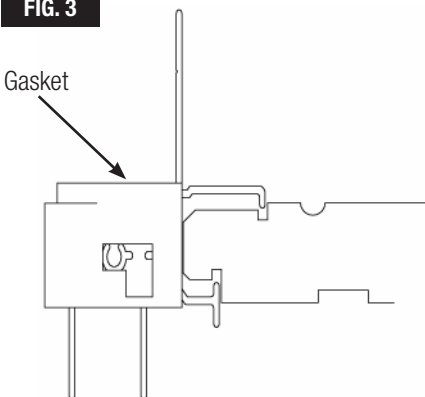
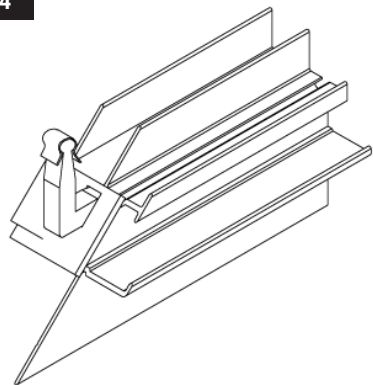
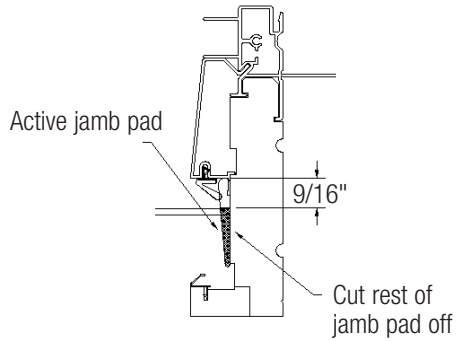
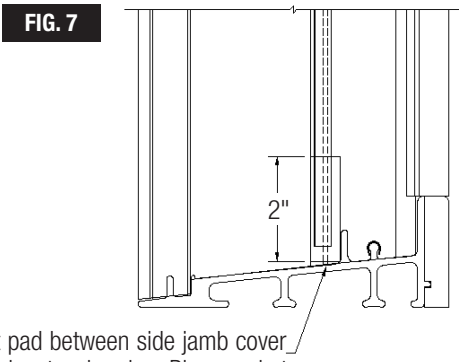
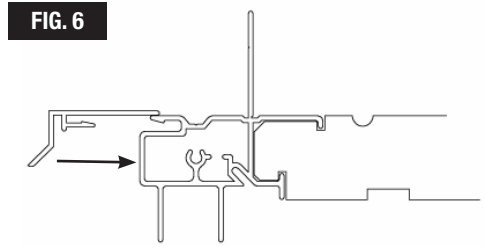
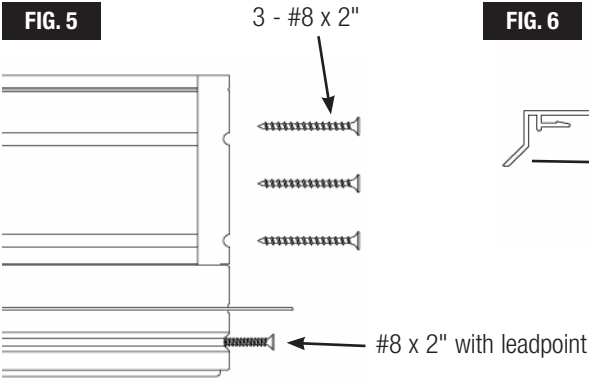


FIG. 4

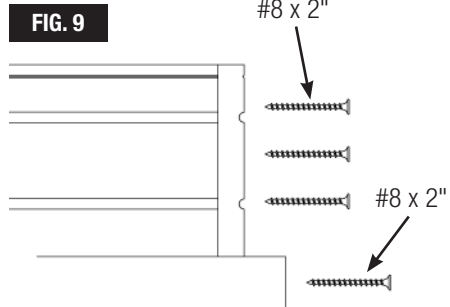
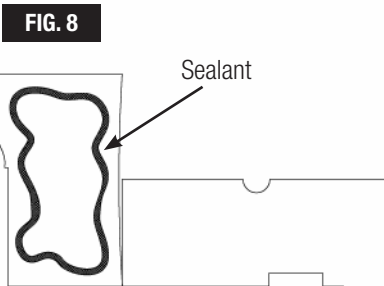


C1: Clad Setup continued

3. Next, place one #8 x 2" screw through extrusion to line up frame parts. DO NOT TIGHTEN! (Fig. 5)
4. Making sure the interior frame parts are flush, use three #8 x 2" bugle head screws on each end to fasten side jambs to the head jamb. Finally, tighten screw in extrusion so that the miters line up. (Fig. 5)
5. Apply head jamb drip cap by centering drip cap on head jamb and using a block and hammer snap into accessory groove. (Fig. 6)
6. Apply active jamb pad at bottom of side jamb. (Fig. 7)



Fit pad between side jamb cover and water dam leg. Place pad at bottom of active side jamb.



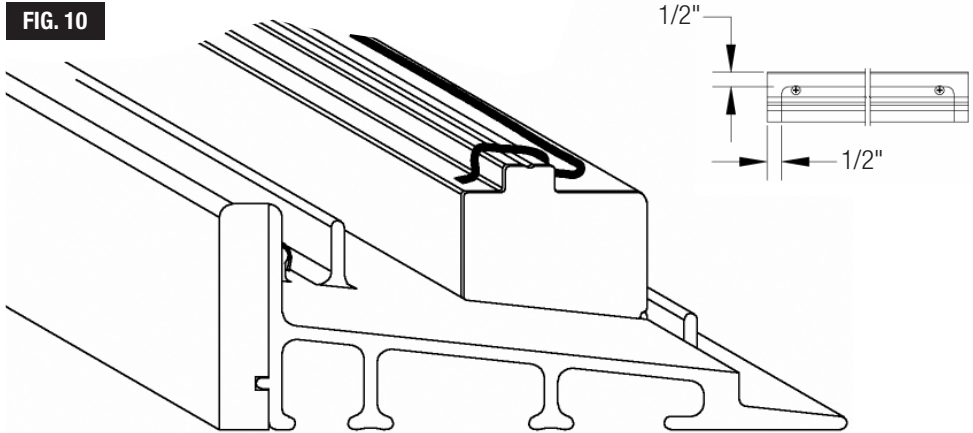
C2: PRIMED SETUP

7. Apply sealant to jamb miters. (Fig. 8)

- Making sure the interior frame parts are flush, use three #8 x 2" bugle head screws on each end to fasten side jambs to the head jamb. (Fig. 9)
- Use one #8 x 2" bugle head screw on each end to fasten brickmould corners together. (Fig. 9)

D. INACTIVE PANEL INSTALLATION

1. Apply 1/8" diameter U-shaped bead of silicone along top of stationary setting block. (Fig. 10)



2. Set stat. panel on setting block as close to the inactive side jamb as possible and slide over against jamb.
3. Make sure stat. panel is flush against side jamb and sitting level on setting block.
4. Remove liner from one end and apply head jamb cover gasket to mitered end of head jamb cover. Leave liner on other end. (Fig. 11)
5. Apply head jamb cover by placing cover against top corner of the stat. jamb. (Fig. 12)

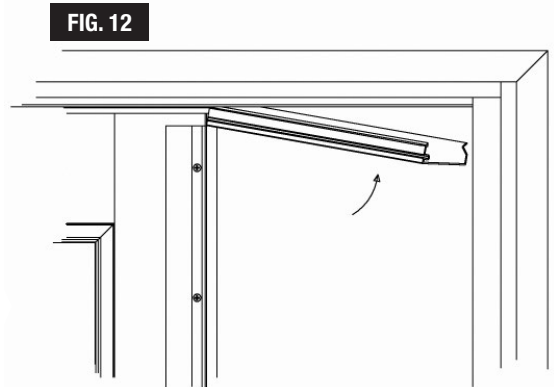
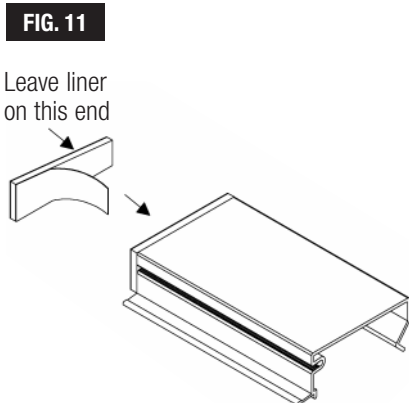


FIG. 13

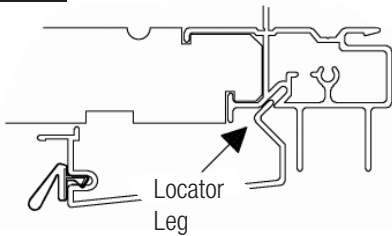
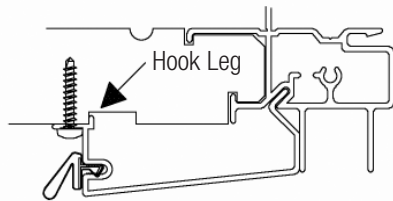


FIG. 14



- Locator leg of head cover extrusion must fit into the slot of the frame extrusion. (Fig. 13)
 - Hook leg of head cover extrusion must snap in behind pocket of head jamb. (Fig. 14)
6. For clad units, secure in place with three #6 x 3/4" pan head screws with one at the center and one on each end. (Fig. 14)
 - For primed units, secure in place with silicone and 1-1/4" brad nails with one at the center and then every 6-8" from there. (Fig. 15)
 7. To apply the head jamb-parting stop, line miter up against side jamb and into groove. Rotate into place above interlock. Use 1-1/4" brad nails spaced every 8-10" on center. (Fig. 16)

FIG. 15

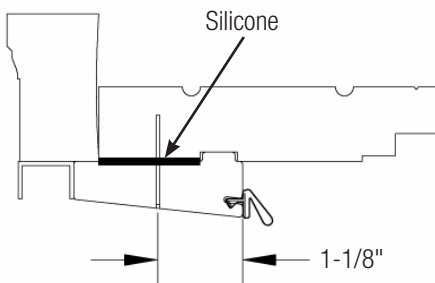
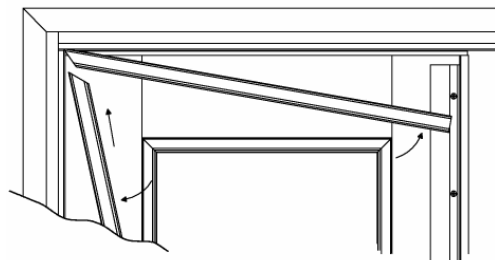


FIG. 16

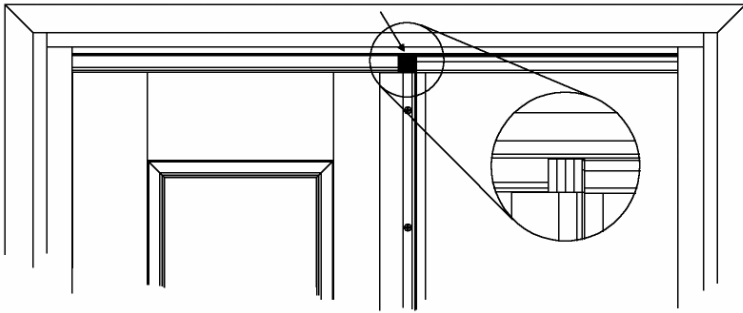


8. Apply side jamb parting stop. Make sure the miter is tight. Use 1-1/4" brad nails spaced every 8-10" on center. (Fig. 16)

D. Inactive Panel Installation continued

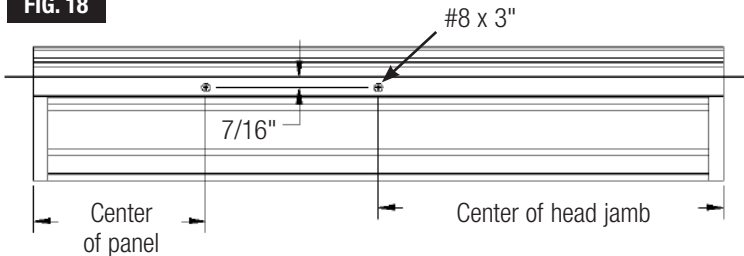
9. Apply dust pad with rows running vertically to head, directly beside weatherstrip above the inactive panel interlock. (Fig. 17)

FIG. 17



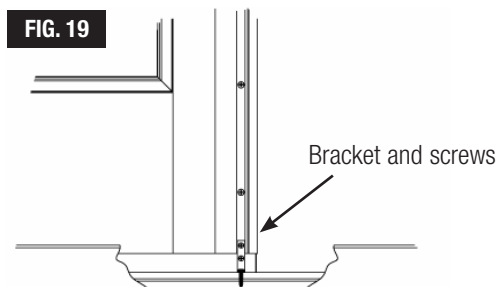
10. Mark and predrill $3/32$ " dia. hole in center of head jamb and center of panel $7/16$ " behind nail fin/brickmould. Fasten head jamb to inactive panel using #8 x 3" bugle head screws. (Fig.18) Repeat for side jamb. Place a screw 6" from bottom of frame and at center.

FIG. 18



11. Apply stat. panel bracket. Locate at the bottom in groove of interlock, fasten to sill with 10-24 machine screw, fasten to setting block with #6 x 3/4" pan head screws. (Fig. 19)

FIG. 19



E. ACTIVE PANEL INSTALLATION

1. Set active panel on roller track and slide into active jamb. (*Make sure both rollers are rolling along stainless steel cap.*)
2. Apply head inside stop by using #6 x 3/4" flat head screws placing them in predrilled holes in the L-bracket extrusion. Slide panel open to locate the remaining holes. (Fig. 20)
3. Apply head bumper into pocket at the head against inactive side jamb. Make sure pad faces active panel. Fasten into place with four 1-1/4" brad nails. Apply sill bumper onto water dam leg also at this time. (Fig. 21)

FIG. 20

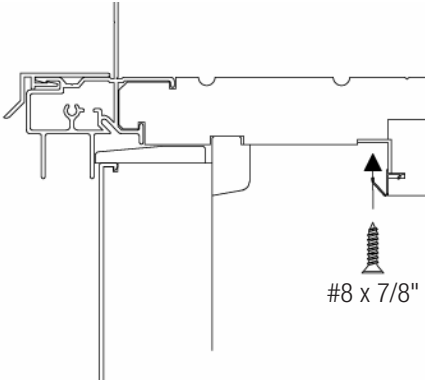
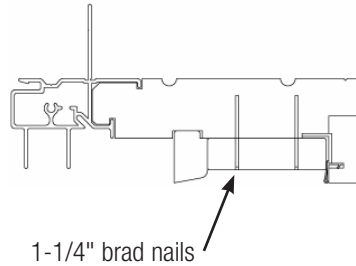


FIG. 21



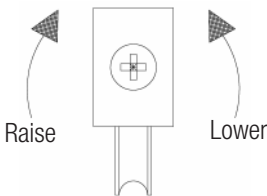
APPLYING DOOR HARDWARE

Follow the instructions provided with your door hardware for proper installation.

F. ADJUSTING THE ACTIVE PANEL

1. In order for your door unit to operate efficiently the active panel must be properly adjusted. Slide the lock side of the active panel within 1/16" from the side jamb interior stop. The gap between the edge of the panel and inside stop must be consistent along the vertical length of the panel. If this is not the case with your unit, you must make adjustments to the rollers. The rollers can be adjusted with a screwdriver on the screws located at the base, on the edges of the panel. Turning the screw in one direction will raise or lower that side of the panel. Make your final adjustments. (Fig. 22) Taking the weight off the rollers will allow for easier adjustment.

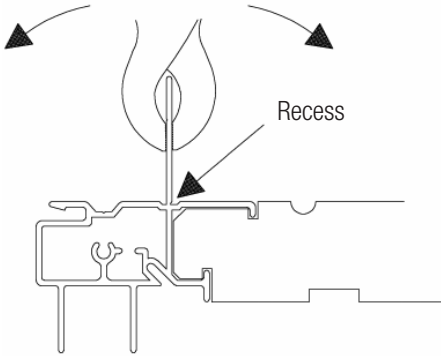
FIG. 22



NAIL FIN REMOVAL

In order to mull units above or beside Windsor's clad sliding patio door, the integral nail fin needs to be removed. This nail fin has a built-in recess toward the bottom to allow the nail fin to be snapped off below the frame. To remove, start at one end with any type of locking pliers (*i.e.*, *ViseGrip*[®], *ChannelLock*[®], *etc.*), bend nail fin back and forth. Work your way along the entire jamb to remove. (Fig. 23)

FIG. 23



G. SINGLE PANEL FRAME SETUP

1. Repeat step C for frame assembly.
2. On step D, there is no need for a head jamb cover. Apply silicone to sill and install panel. (See Fig. 10)
3. Apply parting stops on all three sides and fasten into place with 1-1/4" brad nails spaced every 8-10" on center.

H. QUAD PANEL FRAME SETUP

1. Repeat steps C to G for frame assembly, inactive and active panel installation. See below for alternate steps that need to be taken:
 - Install both inactive panels before applying head jamb cover.
 - Head jamb cover gasket will not be used.
 - Adjust both primary and secondary Quad active panels for desired operation (*Note: the bottom of both active panels should align with each other and the vertical margin between the two panels should be consistent*).
 - Adjust keeper on secondary active panel for proper locking position.

I. SCREEN INSTALLATION

1. Set the screen in front of the exterior face of the door unit. The weatherstrip must face the door unit. Tilt the head of the screen panel and guide upward into the head screen track. Swing the bottom of the screen panel toward the door unit and set on the screen track. (Fig. 24)
2. On the edges of the screen, across the base and head, are adjustment screws. As on the patio door panel, these are used to adjust the screen. The bottom of the screen panel should be adjusted to 1/8" above the sill.
3. Adjust the screws at the top of the screen panel to snug the screen in the opening. Do not over-tighten. The screen should glide easily.
4. Complete the screen installation by securing the latch to the patio doorframe. The latch and instructions are located on the screen in a plastic bag.

FIG. 24

