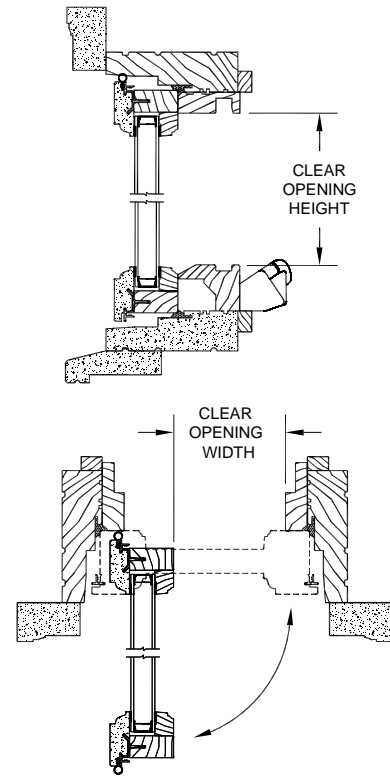


Legend Series

CASEMENT

EGRESS, LITE, VENT & SCREEN MEASUREMENTS

Egress, Lite and Vent Measurements												
Casement												
Size	Egress Width		Egress Height	Sq. Ft. Egress		Egress Code Compliance*			Sq. Ft. Vent	Sq. Ft. Daylite	Screen Size	
	Std. HRDW	Egress HRDW		Std. HRDW	Egress HRDW	U.S.		Canada			Width	Height
						5.0 ft ²	5.7 ft ²					
1420	9.25		19.41	1.25		-	-	-	1.90	1.72	14 11/16	19 3/4
1426	9.25		25.41	1.63		-	-	-	2.49	2.26	14 11/16	25 3/4
1432	9.25		31.41	2.02		-	-	-	3.08	2.80	14 11/16	31 3/4
1438	9.25		37.41	2.40		-	-	-	3.67	3.34	14 11/16	37 3/4
1444	9.25		43.41	2.79		-	-	-	4.26	3.88	14 11/16	43 3/4
1450	9.25		49.41	3.17		-	-	-	4.85	4.42	14 11/16	49 3/4
1456	9.25		55.41	3.56		-	-	-	5.44	4.97	14 11/16	55 3/4
1462	9.25		61.41	3.94		-	-	-	6.02	5.51	14 11/16	61 3/4
1468	9.25		67.41	4.33		-	-	-	6.61	6.05	14 11/16	67 3/4
1474	9.25		73.41	4.72		-	-	-	7.20	6.59	14 11/16	73 3/4
1620	11.25		19.41	1.52		-	-	-	2.20	1.92	16 11/16	19 3/4
1626	11.25		25.41	1.98		-	-	-	2.88	2.54	16 11/16	25 3/4
1632	11.25		31.41	2.45		-	-	-	3.57	3.15	16 11/16	31 3/4
1638	11.25		37.41	2.92		-	-	-	4.25	3.76	16 11/16	37 3/4
1644	11.25		43.41	3.39		-	-	-	4.94	4.38	16 11/16	43 3/4
1650	11.25		49.41	3.86		-	-	-	5.62	4.99	16 11/16	49 3/4
1656	11.25		55.41	4.33		-	-	-	6.31	5.61	16 11/16	55 3/4
1662	11.25		61.41	4.80		-	-	-	6.99	6.22	16 11/16	61 3/4
1668	11.25		67.41	5.27		-	-	-	7.68	6.84	16 11/16	67 3/4
1674	11.25		73.41	5.73		-	-	-	8.36	7.45	16 11/16	73 3/4
2020	15.25	17.80	19.41	2.06	2.40	-	-	-	2.75	2.44	20 11/16	19 3/4
2026	15.25	17.80	25.41	2.69	3.14	-	-	-	3.59	3.22	20 11/16	25 3/4
2032	15.25	17.80	31.41	3.33	3.88	-	-	E	4.44	4.00	20 11/16	31 3/4
2038	15.25	17.80	37.41	3.96	4.62	-	-	S	5.29	4.79	20 11/16	37 3/4
2044	15.25	17.80	43.41	4.60	5.37	-	-	S	6.14	5.57	20 11/16	43 3/4
2050	15.25	17.80	49.41	5.23	6.11	-	-	S	6.99	6.35	20 11/16	49 3/4
2056	15.25	17.80	55.41	5.87	6.85	-	-	S	7.84	7.13	20 11/16	55 3/4
2062	15.25	17.80	61.41	6.50	7.59	-	-	S	8.69	7.91	20 11/16	61 3/4
2068	15.25	17.80	67.41	7.14	8.33	-	-	S	9.54	8.69	20 11/16	67 3/4
2074	15.25	17.80	73.41	7.77	9.07	-	-	S	10.39	9.47	20 11/16	73 3/4
2420	19.25	21.80	19.41	2.59	2.94	-	-	-	3.28	2.96	24 11/16	19 3/4
2426	19.25	21.80	25.41	3.40	3.85	-	-	E	4.30	3.91	24 11/16	25 3/4
2432	19.25	21.80	31.41	4.20	4.75	-	-	S	5.32	4.86	24 11/16	31 3/4
2438	19.25	21.80	37.41	5.00	5.66	E	-	S	6.33	5.81	24 11/16	37 3/4
2444	19.25	21.80	43.41	5.80	6.57	E	E	S	7.35	6.75	24 11/16	43 3/4
2450	19.25	21.80	49.41	6.60	7.48	E	E	S	8.36	7.70	24 11/16	49 3/4
2456	19.25	21.80	55.41	7.41	8.39	E	E	S	9.38	8.65	24 11/16	55 3/4
2462	19.25	21.80	61.41	8.21	9.30	E	E	S	10.39	9.60	24 11/16	61 3/4
2468	19.25	21.80	67.41	9.01	10.20	E	E	S	11.41	10.55	24 11/16	67 3/4
2474	19.25	21.80	73.41	9.81	11.11	E	E	S	12.43	11.49	24 11/16	73 3/4
2620	21.25	23.80	19.41	2.86	3.21	-	-	-	3.55	3.22	26 11/16	19 3/4
2626	21.25	23.80	25.41	3.75	4.20	-	-	E	4.65	4.25	26 11/16	25 3/4
2632	21.25	23.80	31.41	4.63	5.19	E	-	S	5.75	5.29	26 11/16	31 3/4
2638	21.25	23.80	37.41	5.52	6.18	S	E	S	6.85	6.32	26 11/16	37 3/4
2644	21.25	23.80	43.41	6.41	7.17	S	S	S	7.95	7.35	26 11/16	43 3/4
2650	21.25	23.80	49.41	7.29	8.17	S	S	S	9.05	8.38	26 11/16	49 3/4
2656	21.25	23.80	55.41	8.18	9.16	S	S	S	10.15	9.41	26 11/16	55 3/4
2662	21.25	23.80	61.41	9.06	10.15	S	S	S	11.25	10.44	26 11/16	61 3/4
2668	21.25	23.80	67.41	9.95	11.14	S	S	S	12.35	11.47	26 11/16	67 3/4
3220	27.25	29.80	19.41	3.67	4.02	-	-	E	4.32	4.09	32 11/16	19 3/4
3226	27.25	29.80	25.41	4.81	5.26	E	-	S	5.66	5.38	32 11/16	25 3/4
3232	27.25	29.80	31.41	5.94	6.50	S	S	S	7.06	6.57	32 11/16	31 3/4
3238	27.25	29.80	37.41	7.08	7.74	S	S	S	8.41	7.85	32 11/16	37 3/4
3244	27.25	29.80	43.41	8.21	8.98	S	S	S	9.76	9.13	32 11/16	43 3/4
3250	27.25	29.80	49.41	9.35	10.22	S	S	S	11.11	10.41	32 11/16	49 3/4
3256	27.25	29.80	55.41	10.48	11.47	S	S	S	12.46	11.69	32 11/16	55 3/4
3262	27.25	29.80	61.41	11.62	12.71	S	S	S	13.81	12.97	32 11/16	61 3/4
3268	27.25	29.80	67.41	12.76	13.95	S	S	S	15.15	14.25	32 11/16	67 3/4



Egress Conversions

Standard Hardware	Width	Glass - 4.75"
	Height	Glass - 0.59"
Egress Hardware	Width	Glass - 2.20"
	Height	Glass - 0.59"

* Egress Code Compliance Terminology

- E** Meets Code with Egress Hardware Only
- S** Meets Code with Standard Hardware
- Does Not Meet Code

Code Requirements	Min Width	Min Height	Min Area (sq.ft.)
U.S.	20"	24"	5.7
U.S. Grade Floor	20"	24"	5.0
Canada	15"	15"	3.77