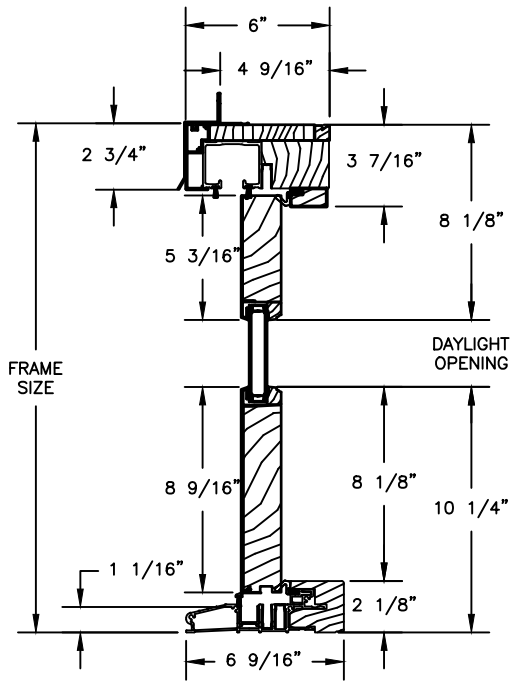


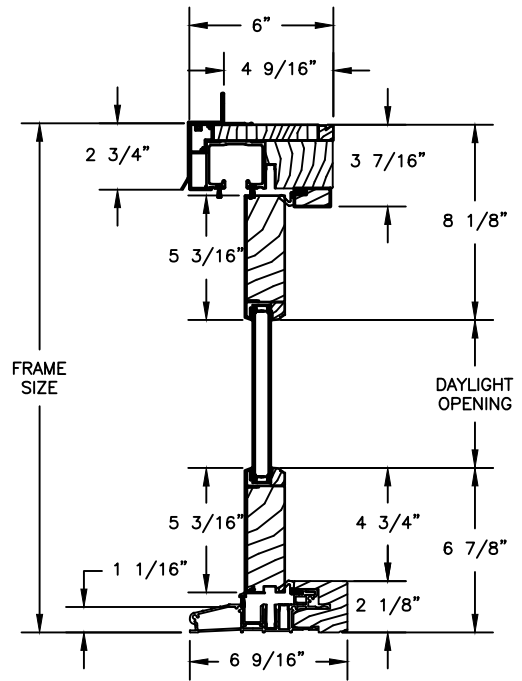
# Windsor Series

## CLAD OUTSWING BI-FOLD DOOR

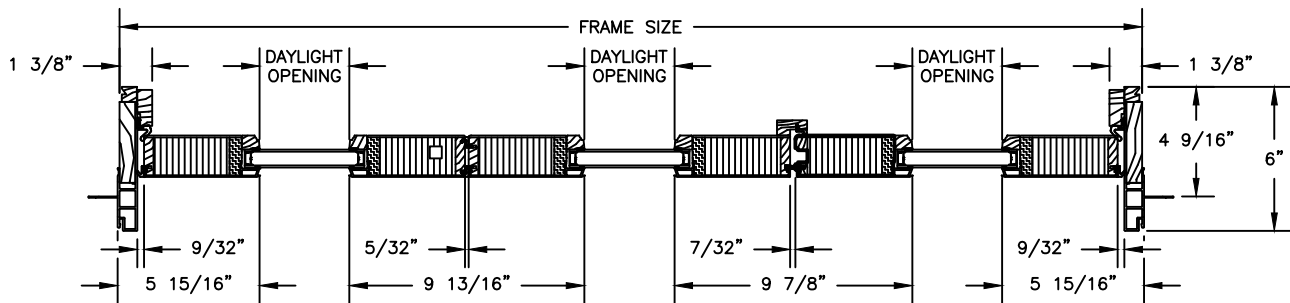
SECTION DETAILS: 4 9/16" JAMB  
 SCALE: 1 1/2" = 1'-0"



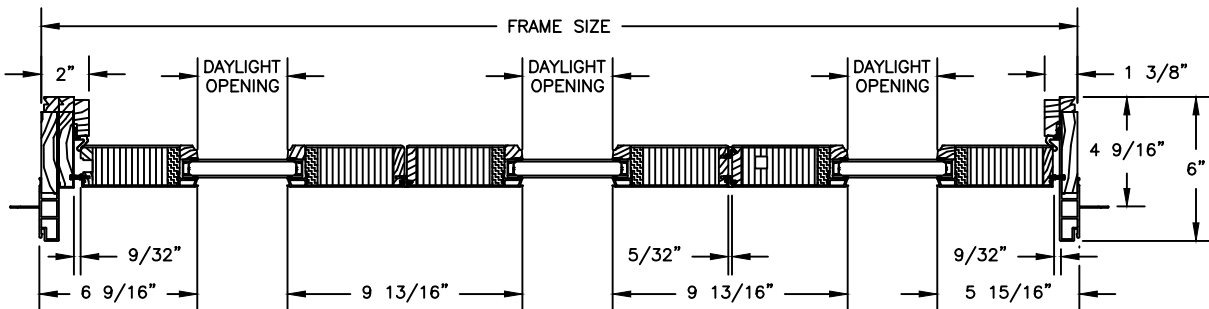
HEAD JAMB & SILL  
 WITH 8" BOTTOM RAIL



HEAD JAMB & SILL  
 WITH 5" BOTTOM RAIL



SIDE JAMB W/ ASTRAGAL



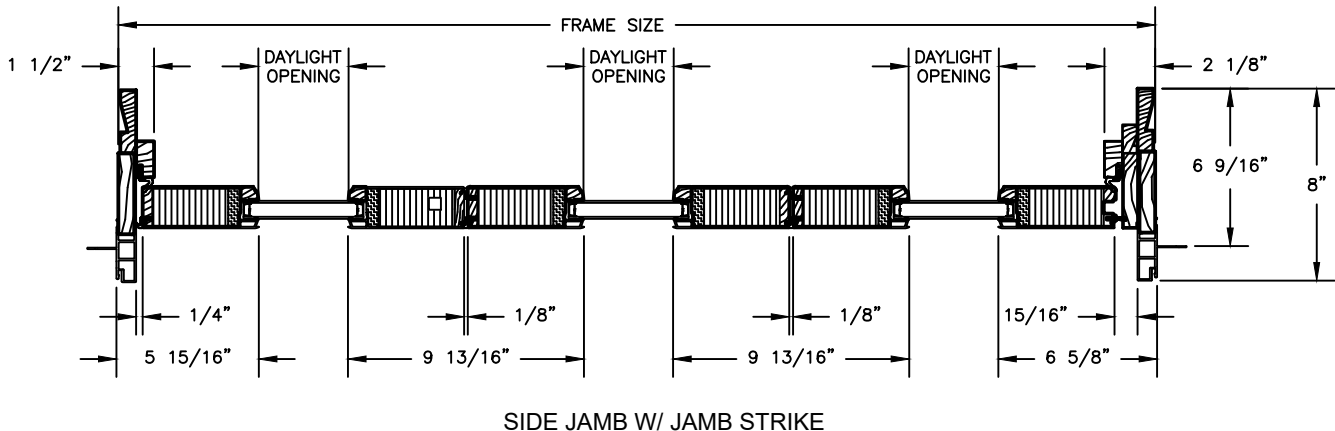
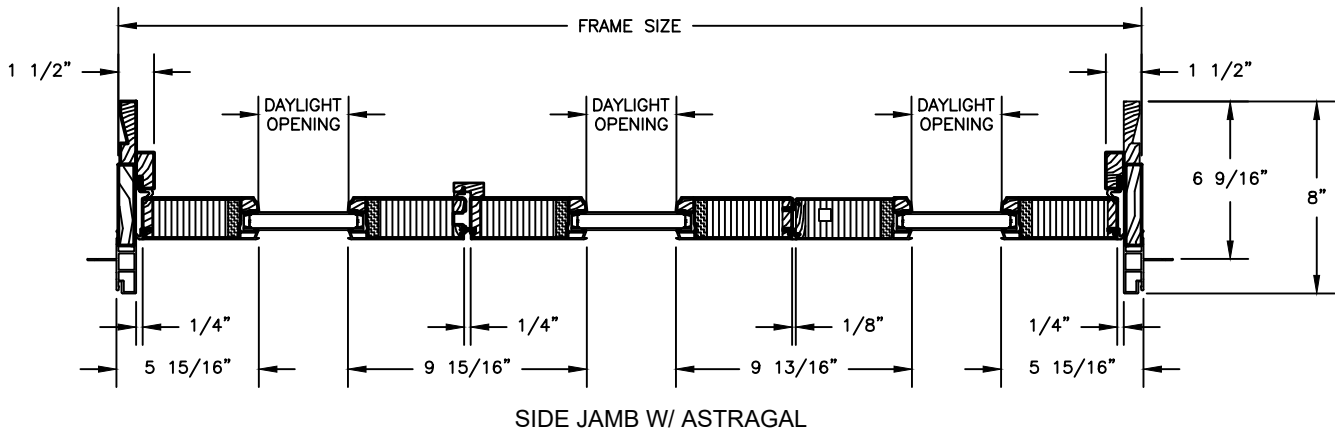
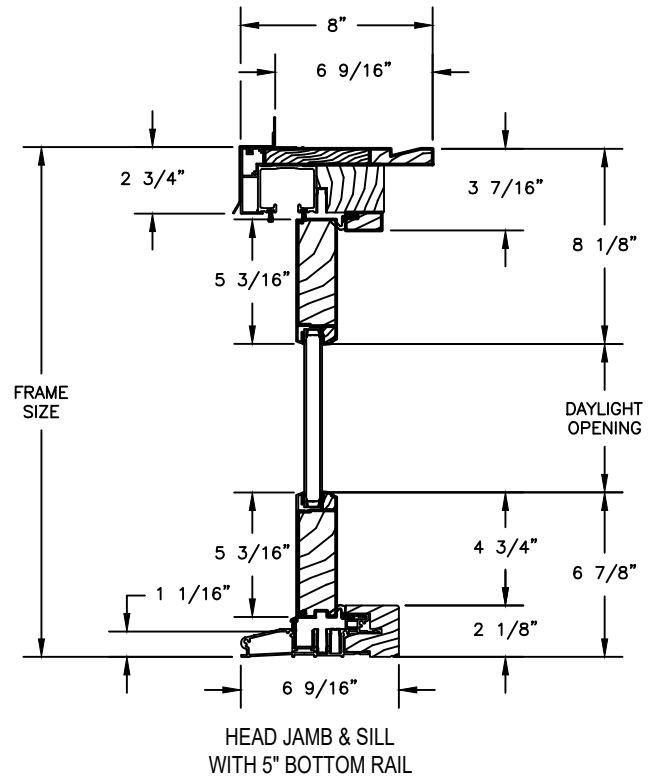
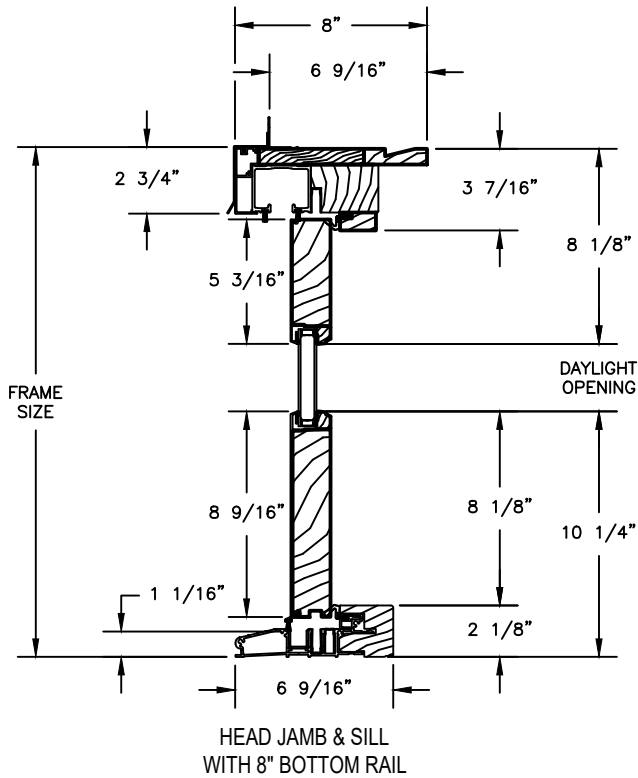
SIDE JAMB W/ JAMB STRIKE

# Pinnacle Series

## CLAD OUTSWING BI-FOLD DOOR

SECTION DETAILS: 6 9/16" JAMB

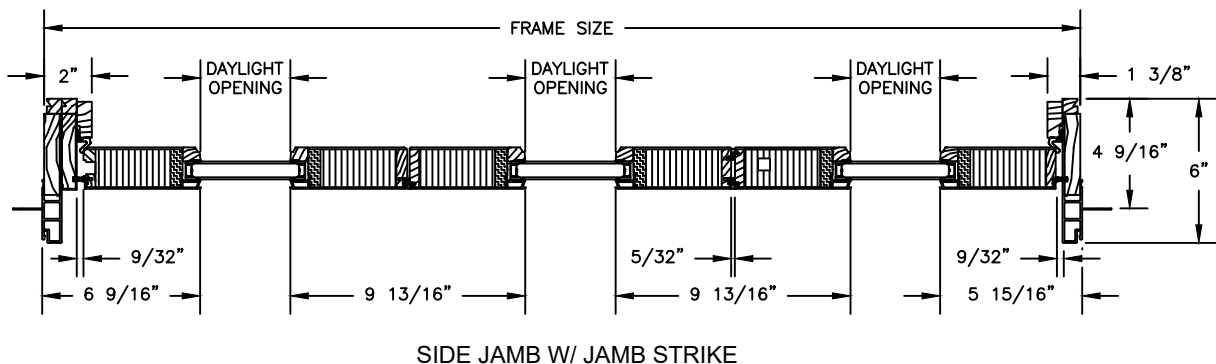
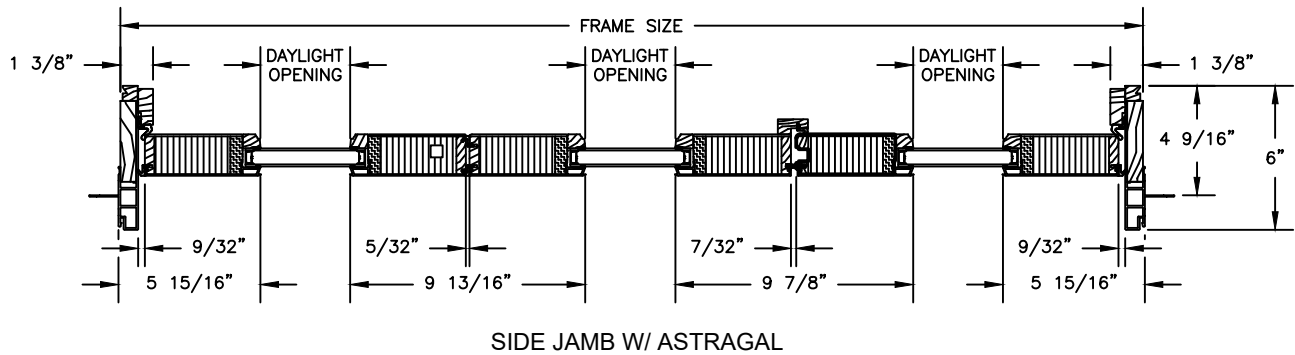
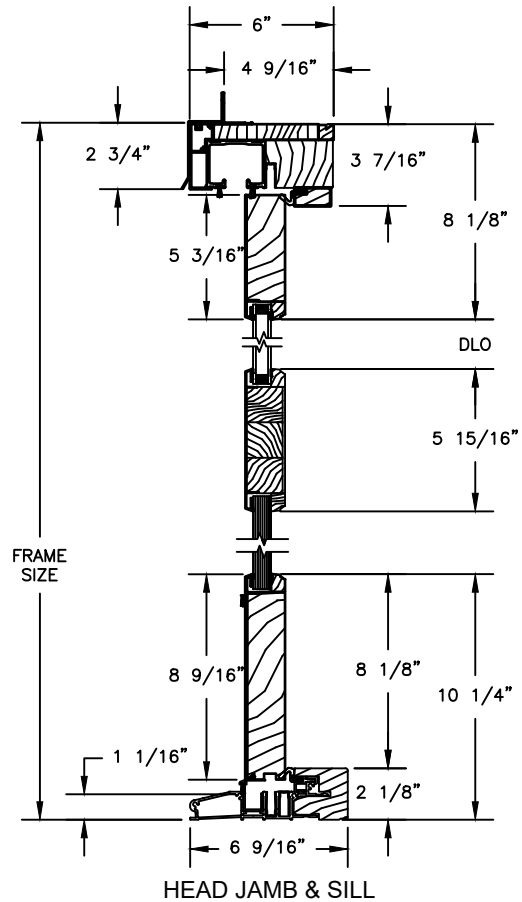
SCALE: 1 1/2" = 1'-0"



# Windsor Series

## CLAD OUTSWING BI-FOLD DOOR

SECTION DETAILS: 4 9/16" JAMB  
 SCALE: 1 1/2" = 1'-0"

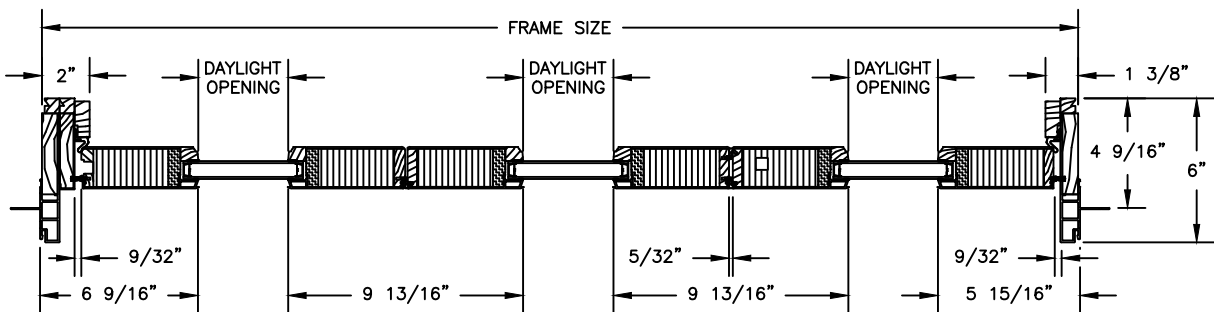
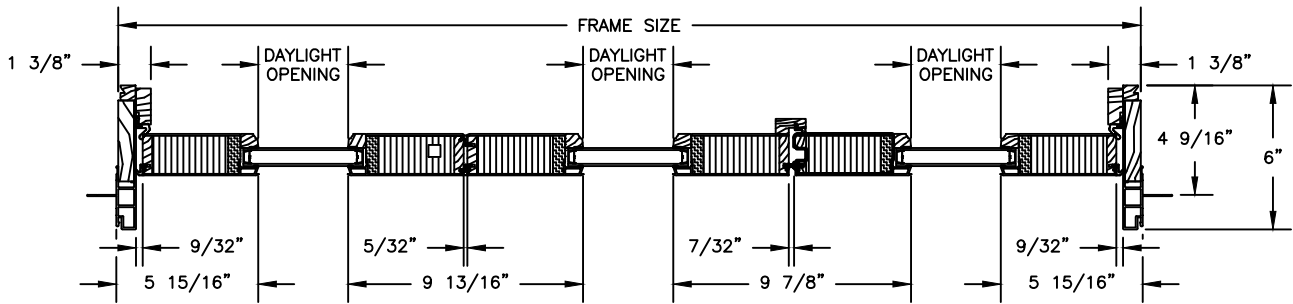
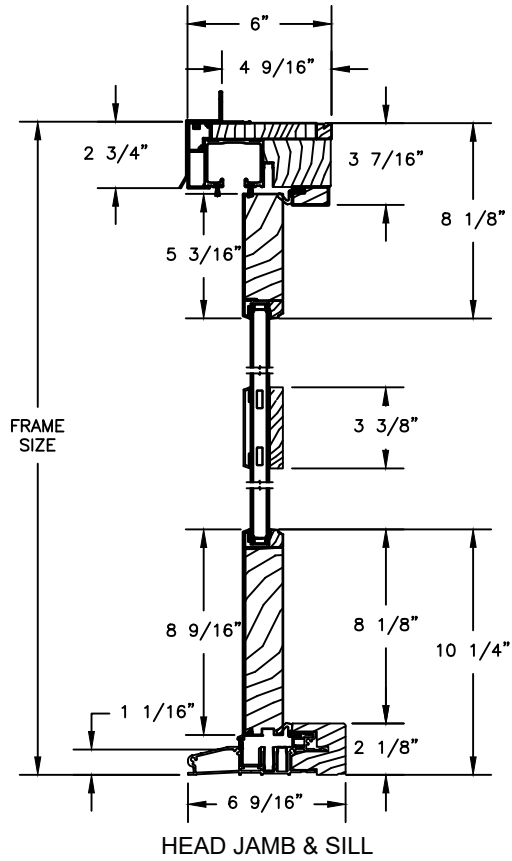


# Windsor Series

## CLAD FRENCH BI-FOLD DOOR SIMULATED MIDRAIL

SECTION DETAILS: 4 9/16" JAMB

SCALE: 1 1/2" = 1'-0"





# Pinnacle Series

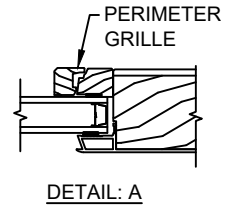
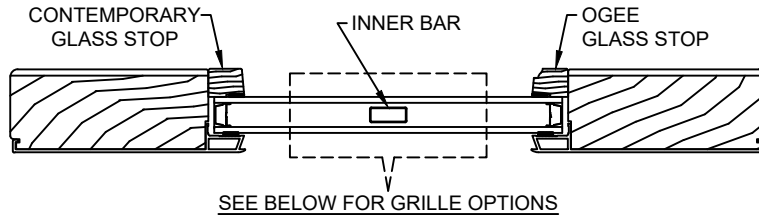
## CLAD OUTSWING BI-FOLD DOOR

SECTION DETAILS : GLASS STOP & DIVIDED LITE OPTIONS

SCALE: 3" = 1'-0"

AVAILABLE STYLES

-  - PUTTY
-  - OGEE
-  - CONTEMPORARY

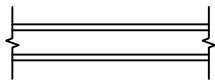


5/8" WDL WITH  
INNER BAR

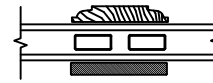
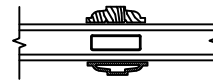
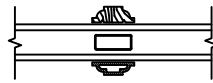
7/8" WDL WITH  
INNERBAR

1 1/4" WDL WITH  
INNERBAR

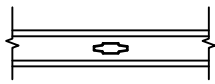
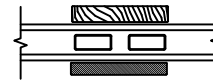
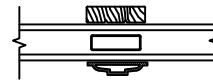
2" WDL WITH  
INNERBAR



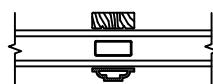
STANDARD  
INSULATING GLASS



13/16" INNERGRILLE



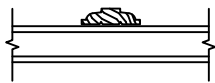
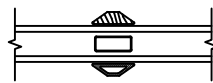
3/4" PROFILED  
INNERGRILLE



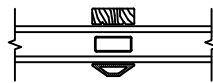
1" PROFILED  
INNERGRILLE



7/8" STICK &  
PERIMETER GRILLE



1 1/4" STICK &  
PERIMETER GRILLE



NOTE:

\* ALL WDL OPTIONS CAN BE ORDERED WITH OR WITHOUT INNER BAR

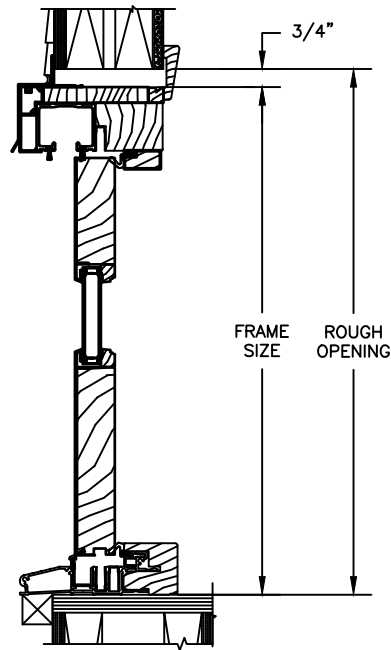
\* PERIMETER GRILLES ONLY AVAILABLE IN THE 7/8" AND 1 1/4" OGEE STYLE GLASS STOP (SEE DETAIL: A)

# Pinnacle Series

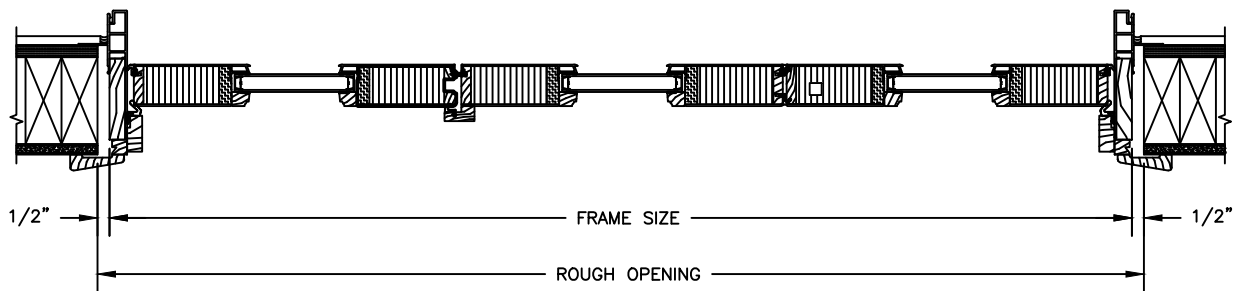
## CLAD OUTSWING BI-FOLD DOOR

SECTION DETAILS : CONSTRUCTION

SCALE: 1 1/2" = 1'-0"



HEAD JAMB & SILL  
2 X 6 FRAME WITH SIDING



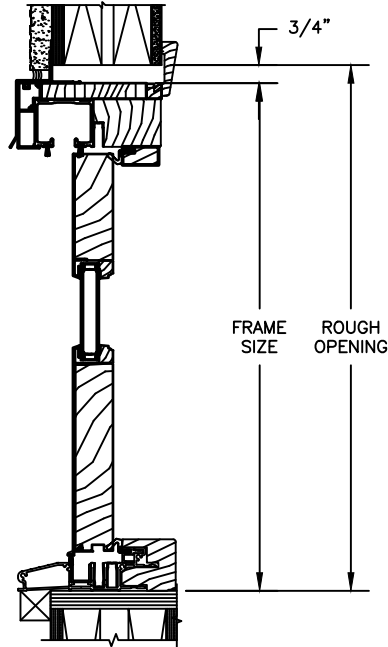
JAMBS  
2 X 6 FRAME WITH SIDING

# Pinnacle Series

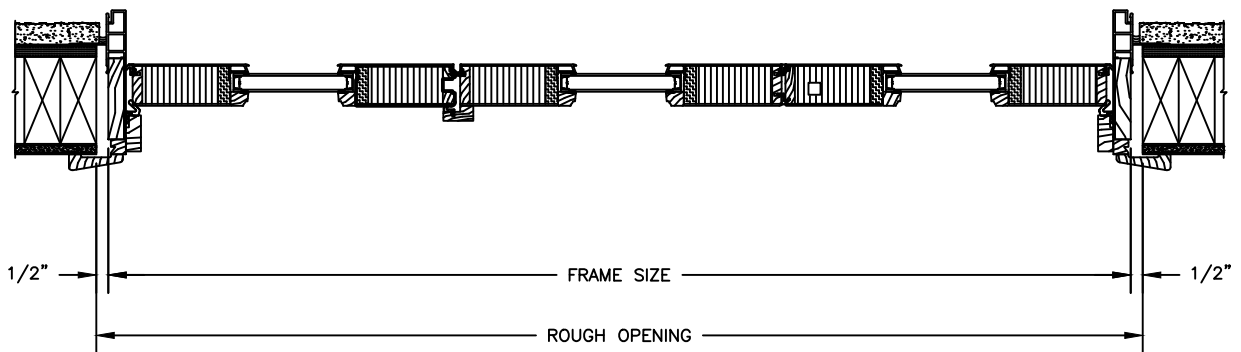
## CLAD OUTSWING BI-FOLD DOOR

SECTION DETAILS : CONSTRUCTION

SCALE: 1 1/2" = 1'-0"



HEAD JAMB & SILL  
2 X 4 FRAME WITH STUCCO



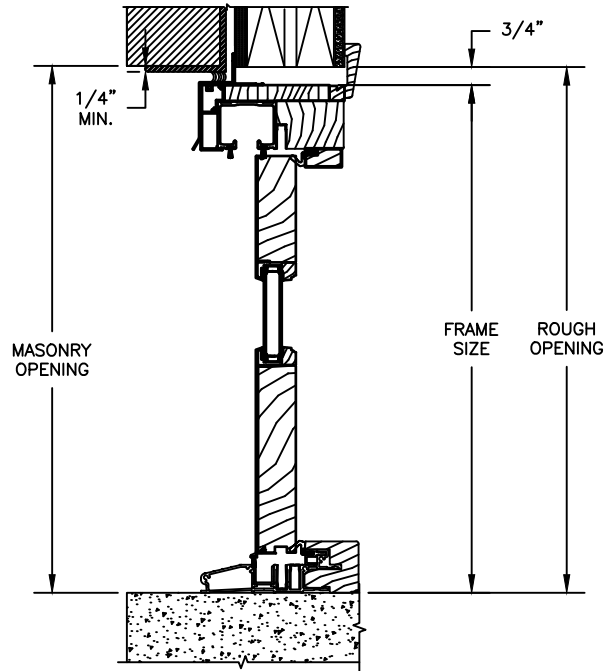
JAMBS  
2 X 4 FRAME WITH STUCCO

# Pinnacle Series

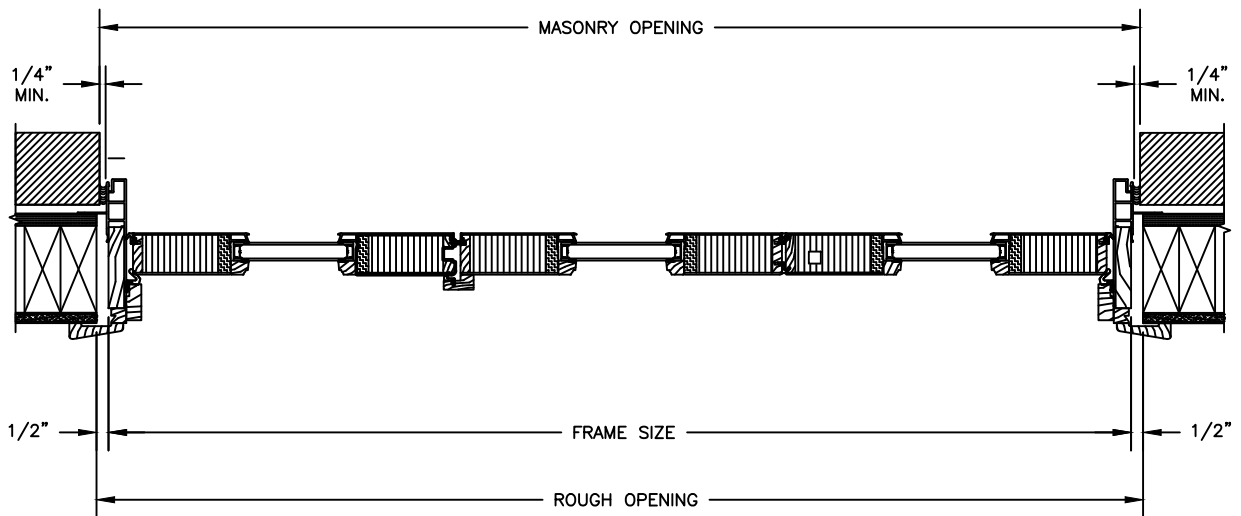
## CLAD OUTSWING BI-FOLD DOOR

SECTION DETAILS : CONSTRUCTION

SCALE: 1 1/2" = 1'-0"



HEAD JAMB & SILL  
2 X 6 FRAME WITH BRICK VENEER



JAMBS  
2 X 6 FRAME WITH BRICK VENEER

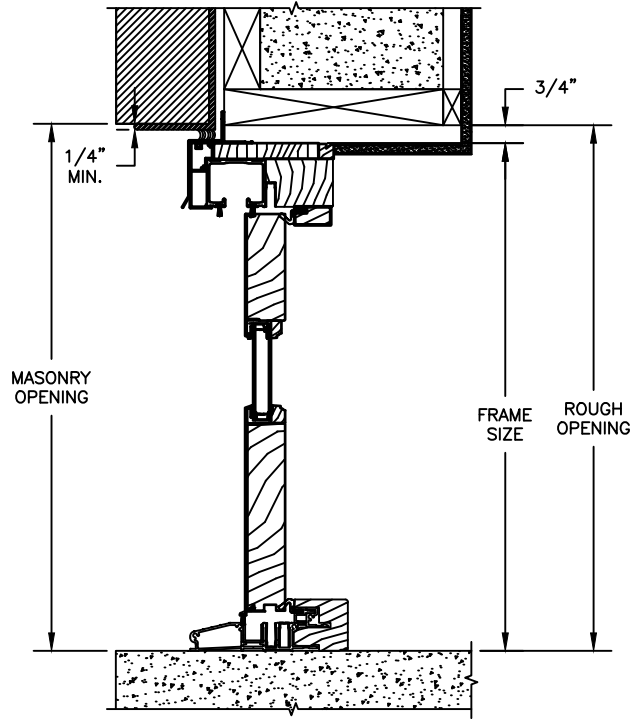


# Pinnacle Series

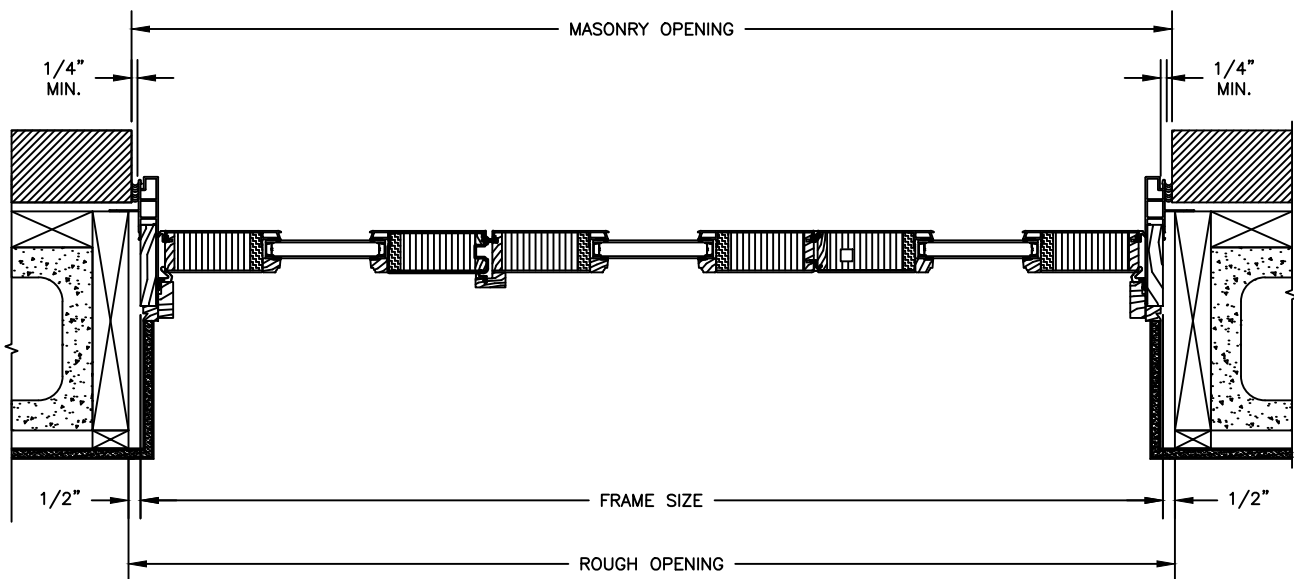
## CLAD OUTSWING BI-FOLD DOOR

SECTION DETAILS : CONSTRUCTION

SCALE: 1 1/2" = 1'-0"



HEAD JAMB & SILL  
8" CONCRETE BLOCK WALL  
WITH BRICK VENEER



JAMBS  
8" CONCRETE BLOCK WALL  
WITH BRICK VENEER