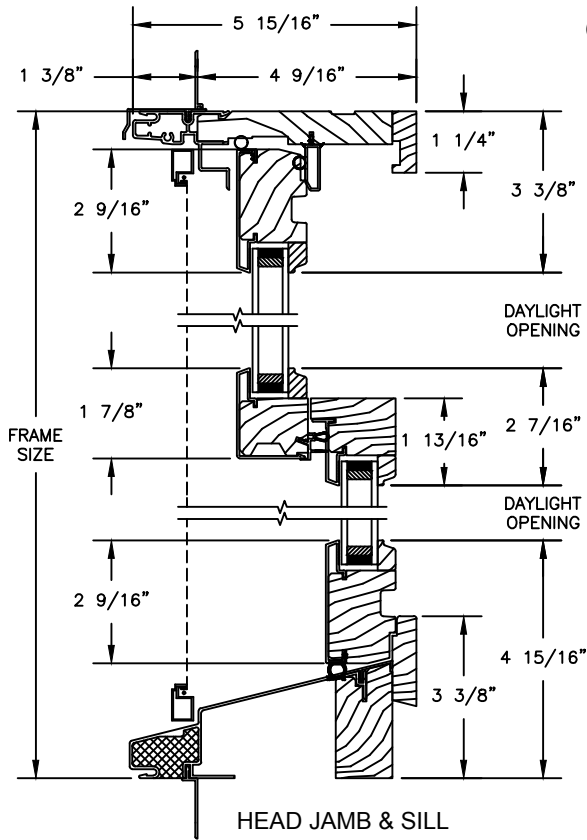


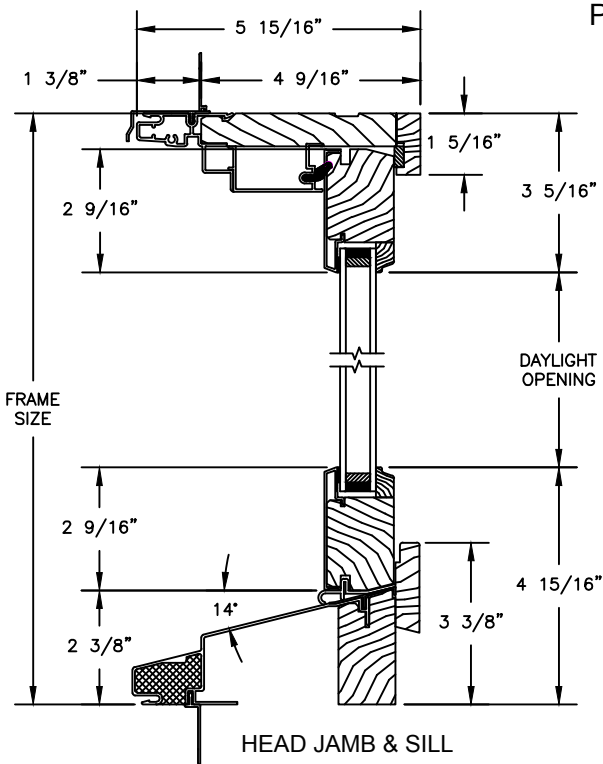
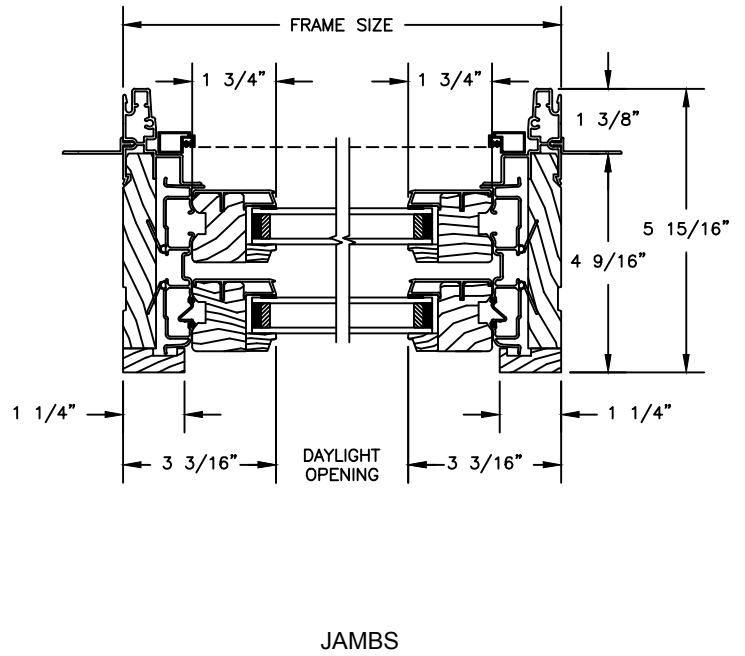
Pinnacle Series

CLAD DOUBLE HUNG

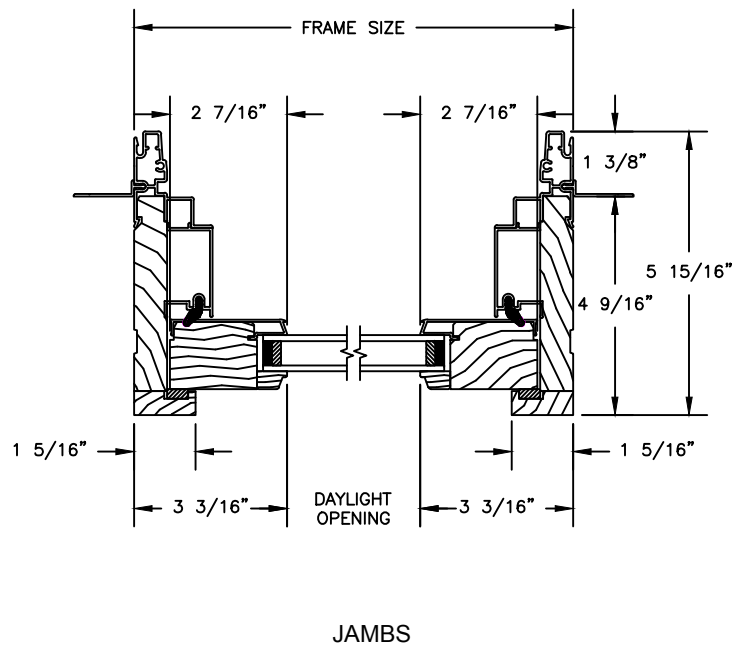
SECTION DETAILS : OPERATING / PICTURE
 SCALE: 3" = 1'-0"



OPERATING



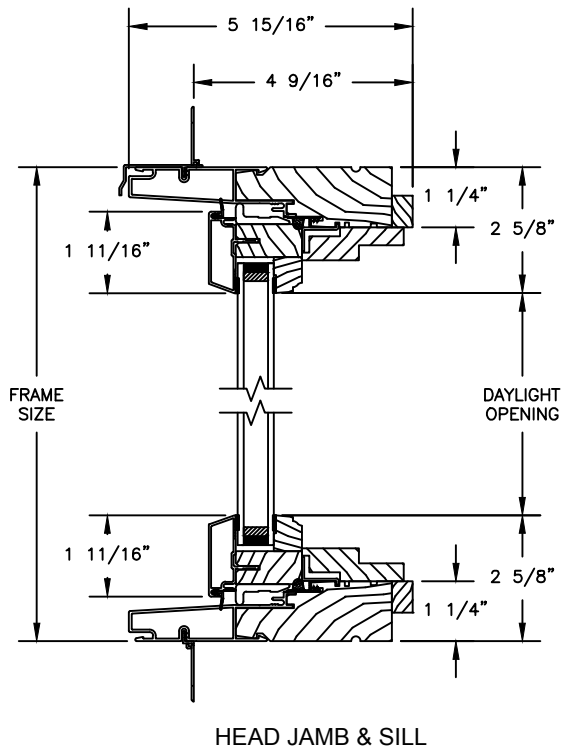
PICTURE



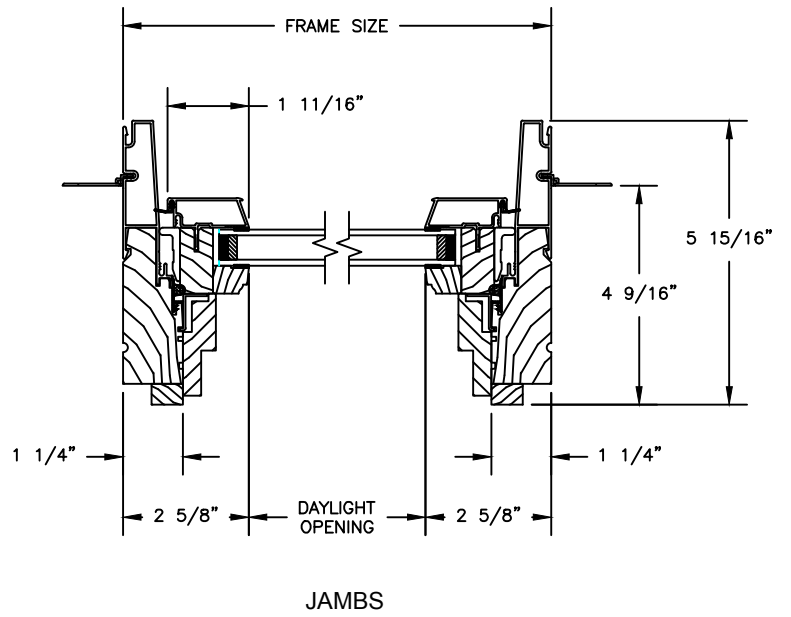
Pinnacle Series

CLAD DOUBLE HUNG

SECTION DETAILS : TRANSOM
SCALE: 3" = 1'-0"



TRANSOM

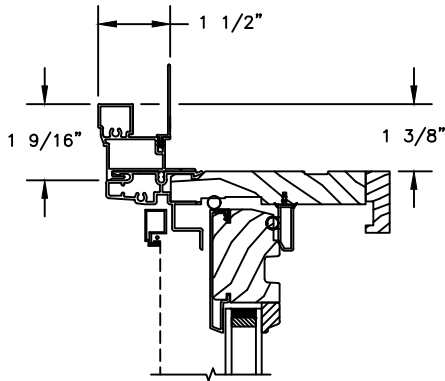


Pinnacle Series

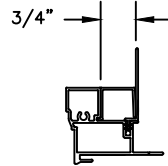
CLAD DOUBLE HUNG

SECTION DETAILS : CASING OPTIONS

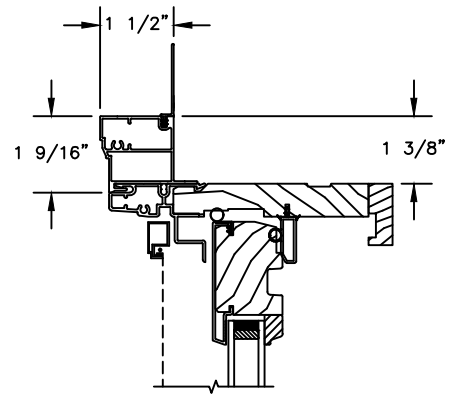
SCALE: 3" = 1'-0"



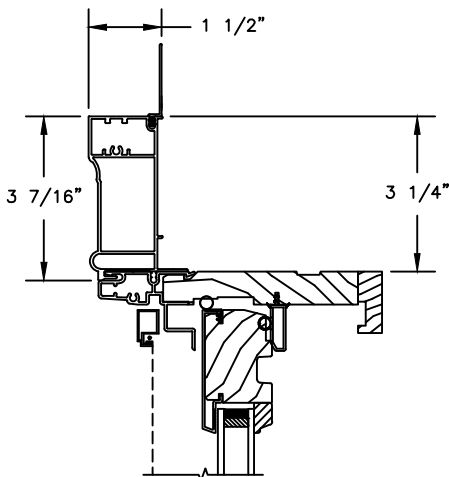
HEAD JAMB WITH
CLAD 180 BRICKMOULD CASING



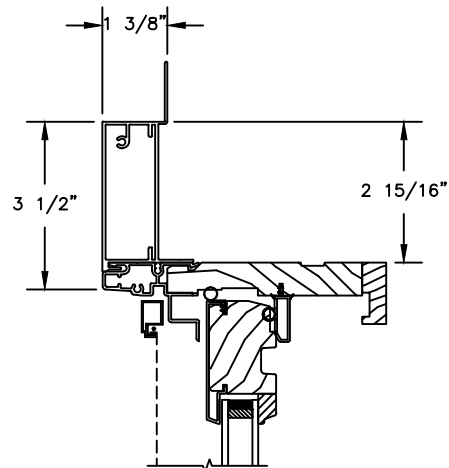
CLAD BRICKMOULD CASING
WITH OPTIONAL J-CHANNEL COVER



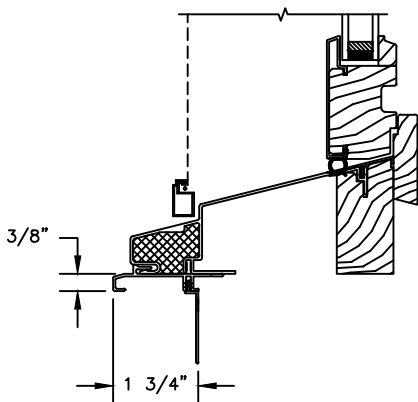
HEAD JAMB WITH
CLAD SQUARE BRICKMOULD CASING



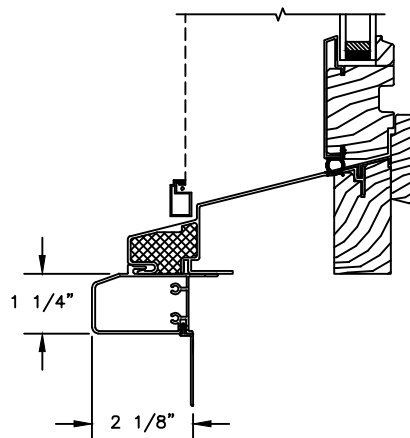
HEAD JAMB WITH
CLAD WILLIAMSBURG CASING



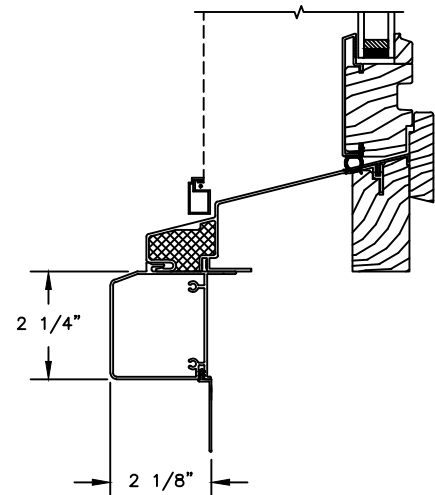
HEAD JAMB WITH
3 1/2" CLAD FLAT CASING



SILL WITH
3/8" CLAD SUBSILL



SILL WITH
1 1/4" CLAD SUBSILL

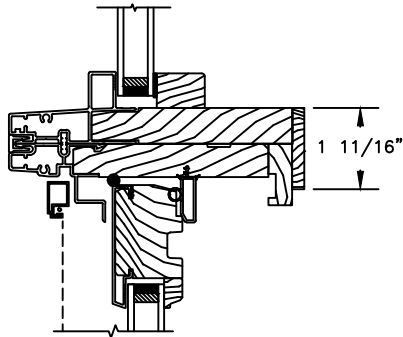


SILL WITH
2 1/4" CLAD SUBSILL

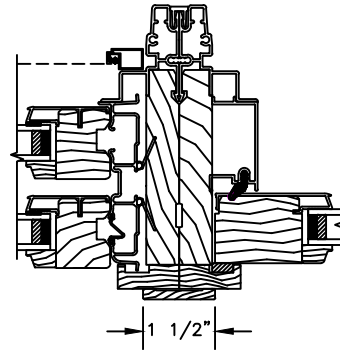
Pinnacle Series

CLAD DOUBLE HUNG

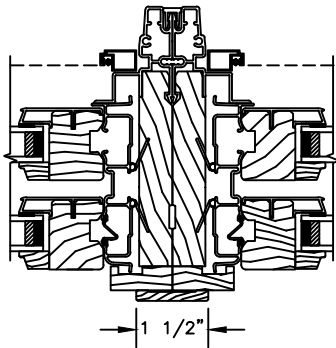
SECTION DETAILS : MULLIONS
 SCALE: 3" = 1'-0"



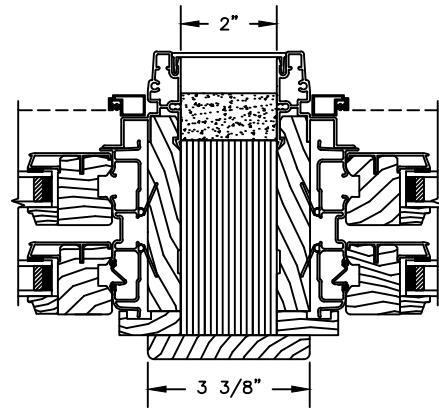
HORIZONTAL MULLION
 RADIUS/OPERATOR



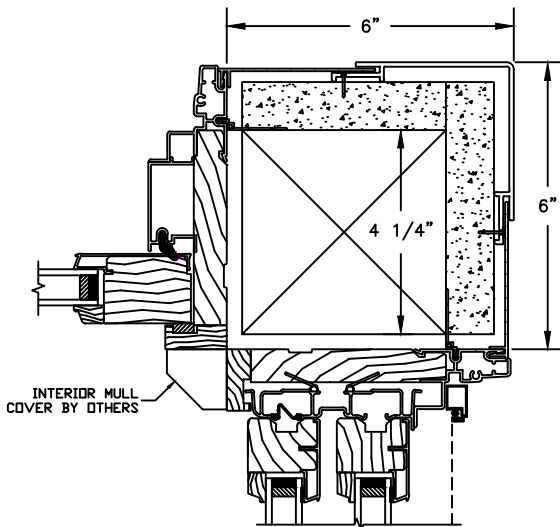
VERTICAL MULLION
 OPERATOR/PICTURE



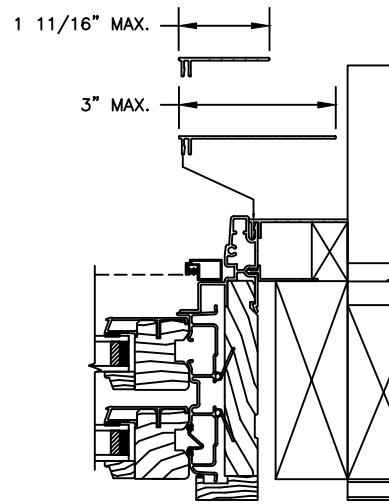
VERTICAL MULLION
 OPERATOR/OPERATOR



VERTICAL MULLION WITH
 2" SPREAD MULL
 ADDITIONAL WIDTHS INCLUDE:
 1", 2", 2 1/2", 3", & 4"



90° MULLION
 PICTURE/OPERATOR
 (ONLY USED WITH 4 9/16" JAMB & 3 1/4"
 FRAME EXPANDER)




NOTE:
 FOR INFORMATION ON STRUCTURAL MULLIONS REFER TO
 THE PRODUCT PERFORMANCE AND INFORMATION SECTION.

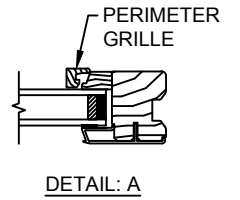
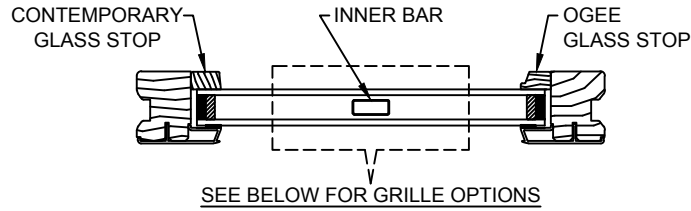
Pinnacle Series

CLAD DOUBLE HUNG

SECTION DETAILS : DIVIDED LITE OPTIONS
 SCALE: 3" = 1'-0"

AVAILABLE STYLES

-  - PUTTY
-  - OGEE
-  - CONTEMPORARY



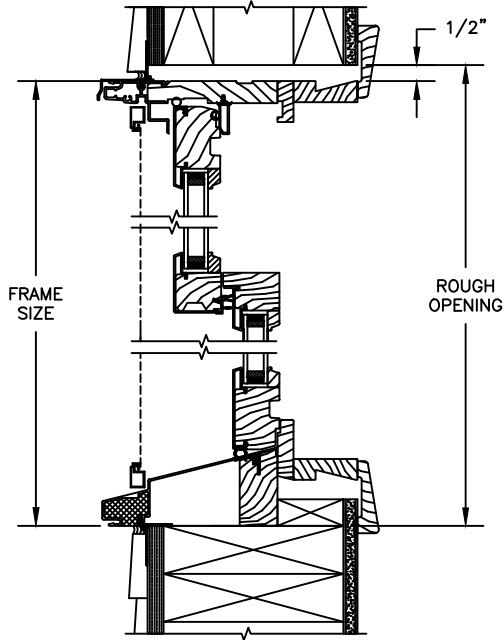
	5/8" WDL WITH INNER BAR	7/8" WDL WITH INNERBAR	1 1/4" WDL WITH INNERBAR	2" WDL WITH INNERBAR
STANDARD INSULATING GLASS				
13/16" INNERGRILLE				
3/4" PROFILED INNERGRILLE				
1" PROFILED INNERGRILLE				
7/8" STICK GRILLE				
1 1/4" STICK GRILLE				

NOTE:
 * ALL WDL OPTIONS CAN BE ORDERED WITH OR WITHOUT INNER BAR
 * PERIMETER GRILLES ONLY AVAILABLE IN THE 7/8" AND 1 1/4" OGEE STYLE GLASS STOP (SEE DETAIL: A)

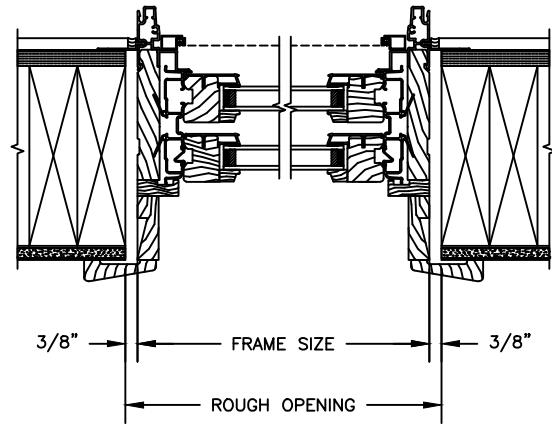
Pinnacle Series

CLAD DOUBLE HUNG

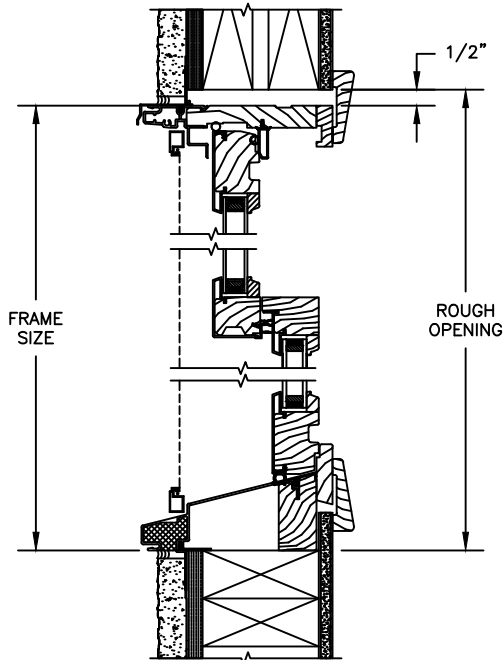
SECTION DETAILS : CONSTRUCTION
 SCALE: 2" = 1'-0"



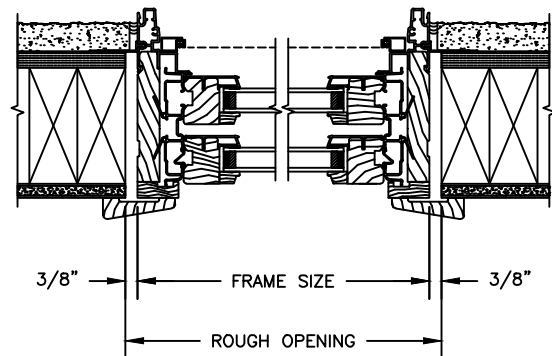
HEAD JAMB & SILL
 2 X 6 FRAME WITH SIDING



HEAD JAMB & SILL
 2 X 6 FRAME WITH SIDING



HEAD JAMB & SILL
 2 X 4 FRAME WITH STUCCO



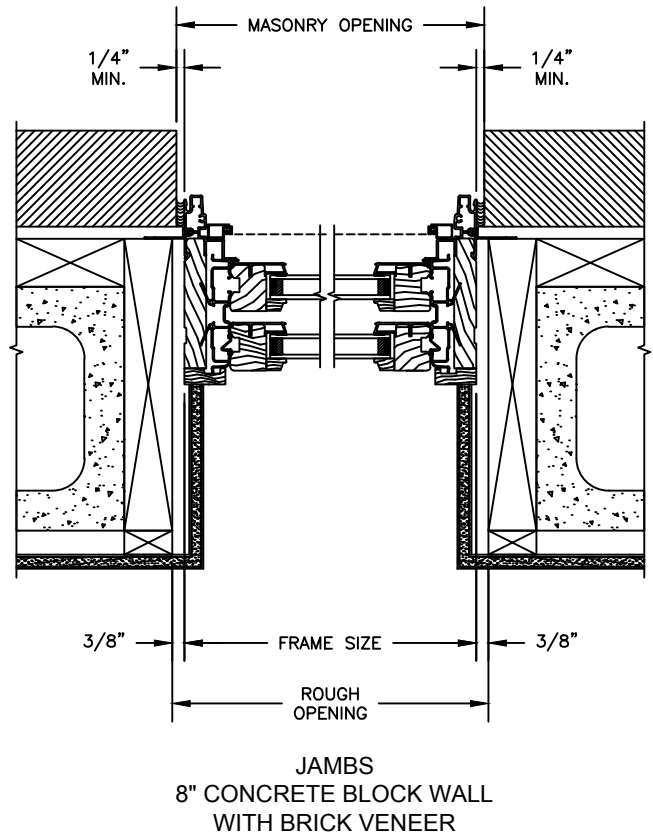
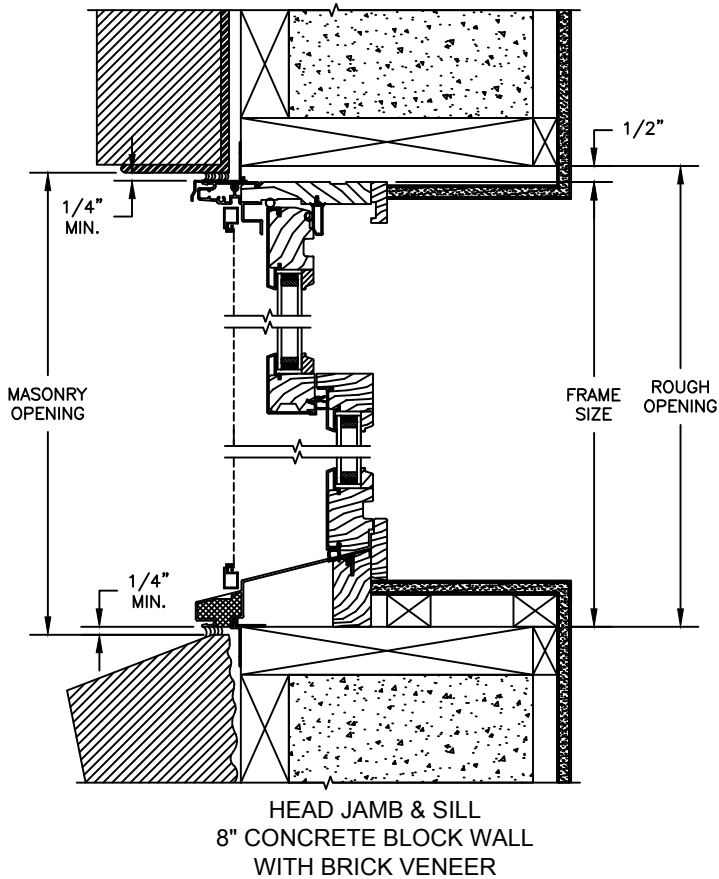
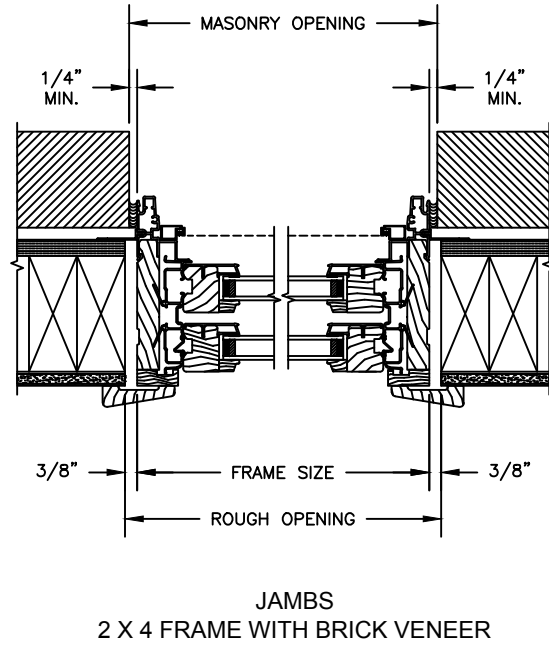
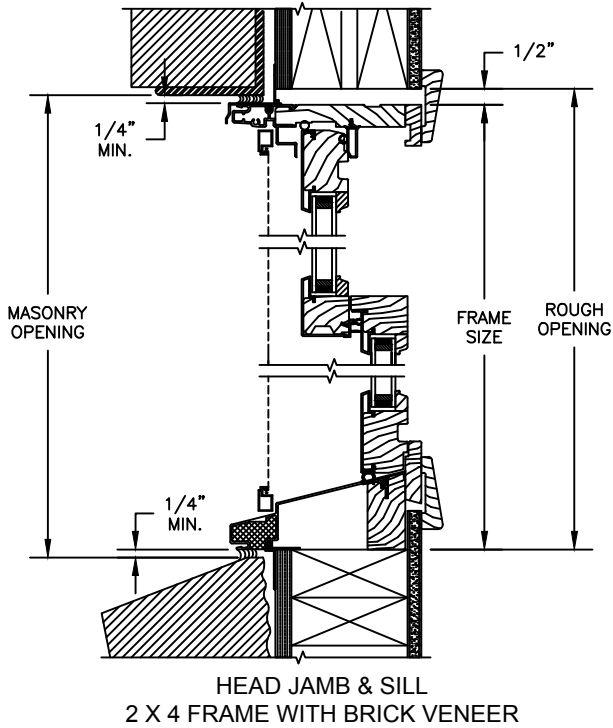
JAMBS
 2 X 4 FRAME WITH STUCCO

NOTE:
 THE ABOVE WALL SECTIONS REPRESENT TYPICAL WALL CONDITIONS, THESE DETAILS ARE NOT INTENDED AS INSTALLATIONS INSTRUCTIONS. PLEASE REFER TO THE INSTALLATION INSTRUCTIONS PROVIDED WITH THE PURCHASED UNITS.

Pinnacle Series

CLAD DOUBLE HUNG

SECTION DETAILS : CONSTRUCTION
 SCALE: 2" = 1'-0"



Pinnacle Series

CLAD DOUBLE HUNG

SECTION DETAILS : 30/45 DEGREES BAY
 SCALE: 2" = 1'-0"

