

Retractable Screen Field Installation Instructions

The following provides instructions for field installation of the Retractable Screen on Pinnacle Operating and Push-Out Casement and Awning Windows that were factory prepped for the Retractable Screen. If your window was not prepped for Retractable Screen, refer to the Retro Fit Instructions, which are available at www.windsorwindows.com. To proceed, you will need Phillips head screwdriver.

Part Identifier (Fig. 1)

1. Screen Cassette
2. Inside Cover with Tape
3. Screen Track (2)
4. Screen Pull

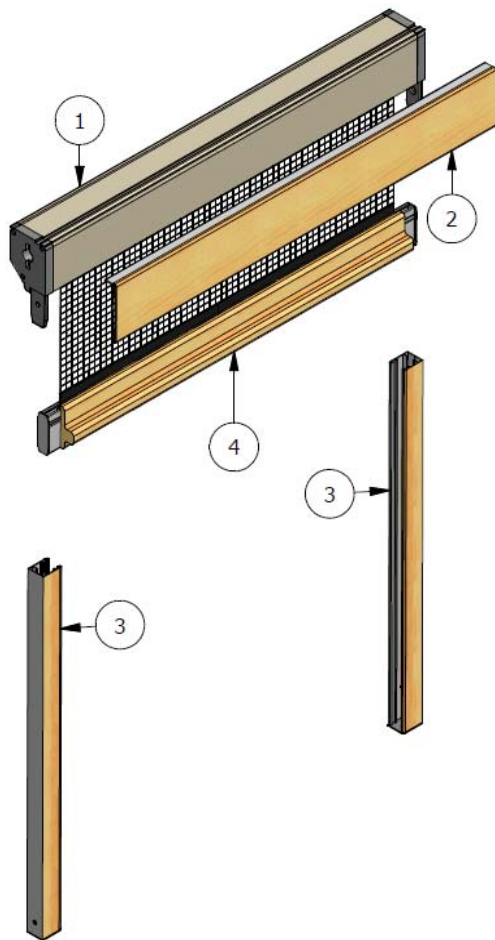


Fig.1

Step 1: Attach Inside Cover to Screen Cassette

Remove tape backing. Insert Inside Cover tab into groove on the top side of the Screen Cassette (Fig. 2). Make sure Inside Cover is centered on the Screen Cassette. Rotate Inside Cover into position.

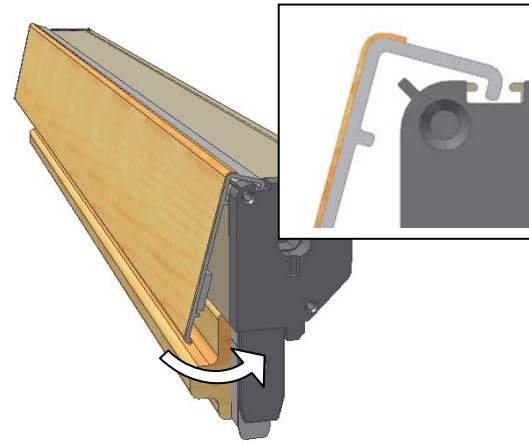


Fig. 2

Step 2: Attach Screen Tracks to Screen Cassette

Slide Track on to Cassette Tabs (Fig. 3). The black hook at the bottom of the track should be to the interior.

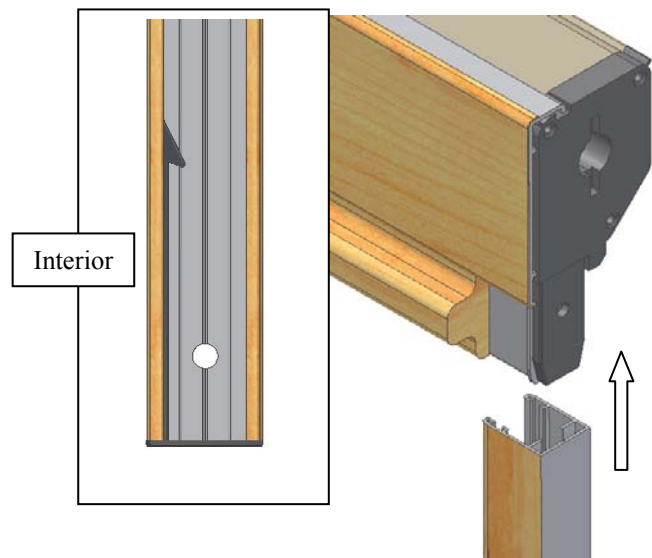


Fig. 3

Step 3: Insert Screen Assembly into Screen Opening

Insert the Screen Assembly into the screen opening (Fig.4). Once Screen Assembly is in position, verify that the Screen Tracks down to be flush at the bottom Sill (Fig.5) and fully seated against the Sash Stop.



Fig. 4

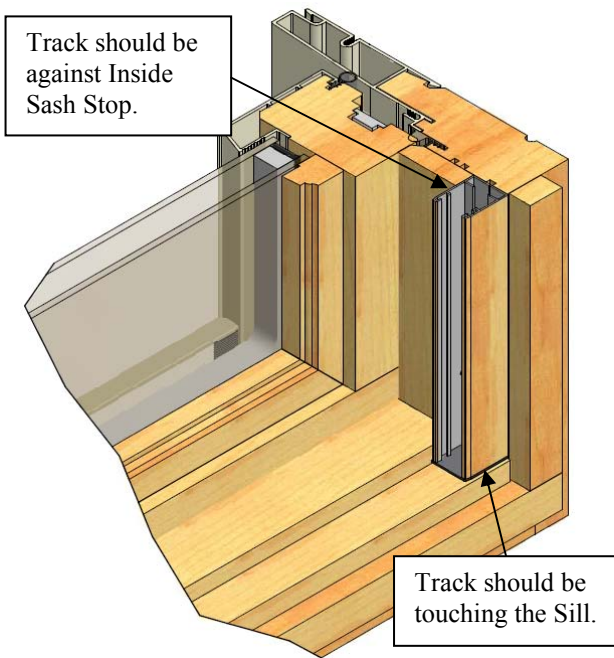


Fig. 5

Step 4: Attach Screen

Using the #6 x 1/2" Screws attach the screen tracks to the window frame (Fig.6).



Fig. 6

Step 5: Verify Operation

Operate the screen by applying a downward force on the Screen Pull. The Screen Pull should catch at the bottom track. To release the screen, simply rotate top of the Screen Pull toward the exterior on the window (Fig.7).

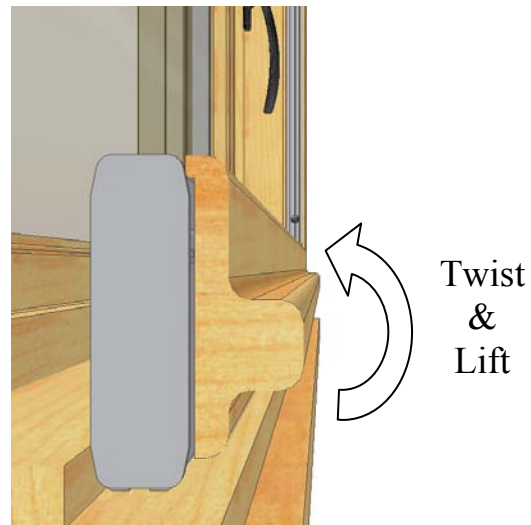


Fig. 7

Note: Be sure to apply even force across the screen pull when raising and lowering the screen.