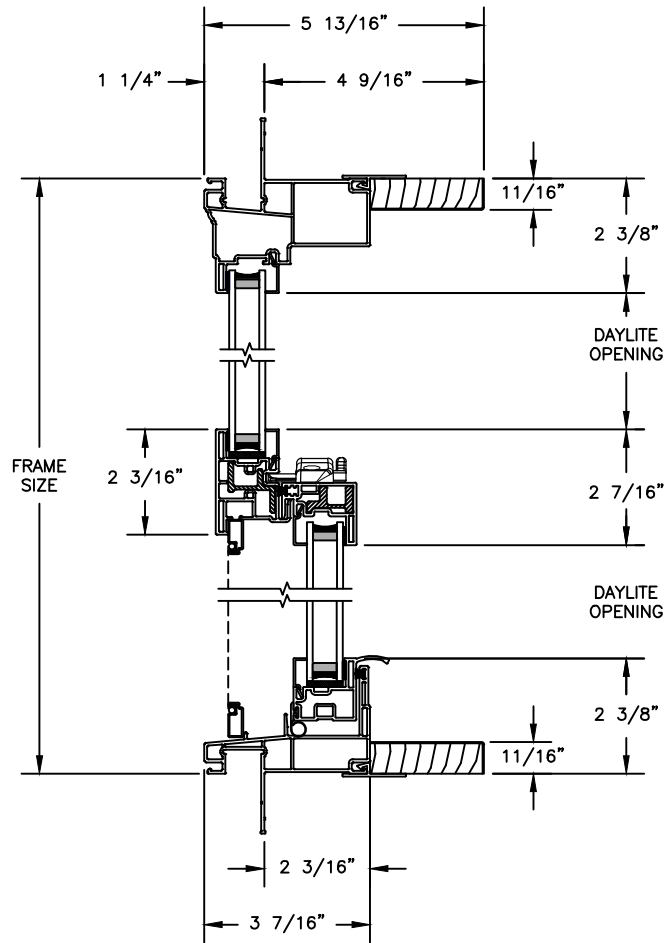


# Next Dimension Classic Series

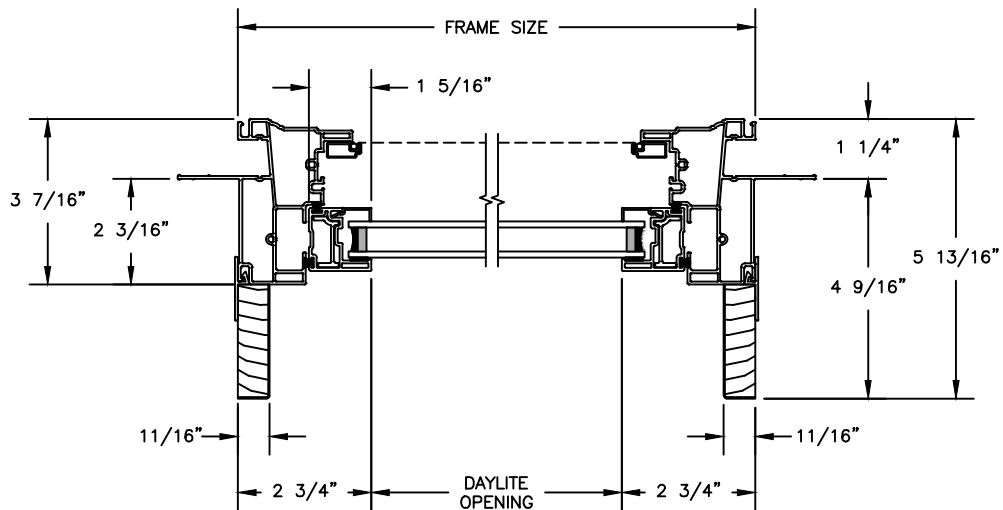
## SINGLE HUNG

SECTION DETAILS:

SCALE: 3" = 1'-0"



HEAD JAMB & SILL



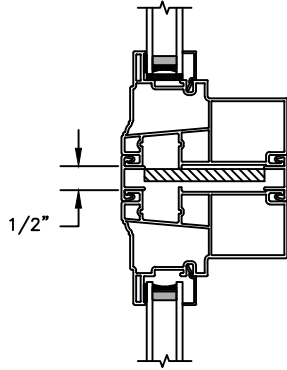
SIDE JAMB

# Next Dimension Classic Series

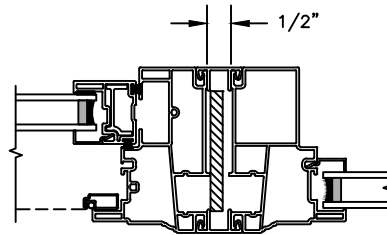
## SINGLE HUNG

SECTION DETAILS: MULLIONS

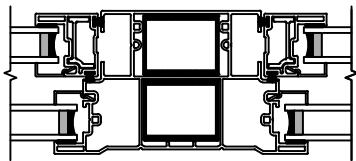
SCALE: 3" = 1'-0"



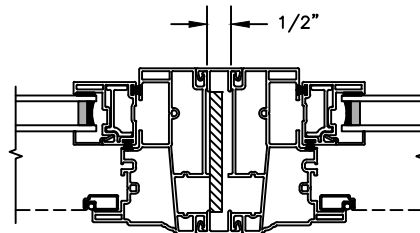
HORIZONTAL 1/2" MULLION  
FIXED/OPERATOR



VERTICAL 1/2" MULLION  
OPERATOR/FIXED



VERTICAL T-BAR  
OPERATOR/OPERATOR



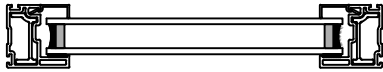
VERTICAL 1/2" MULLION  
OPERATOR/OPERATOR

# Next Dimension Classic Series

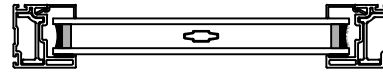
## SINGLE HUNG

SECTION DETAILS : DIVIDED LITE OPTIONS

SCALE: 3" = 1'-0"



INSULATING GLASS



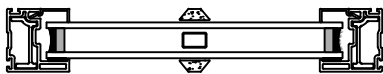
3/4" PROFILED INNERGRILLE



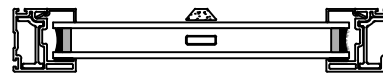
7/8" PUTTY WDL  
WITH INNERBAR



7/8" PUTTY WDL (EXTERIOR ONLY)  
WITH 13/16" FLAT INNERGRILLE



5/8" PUTTY WDL  
WITH INNERBAR



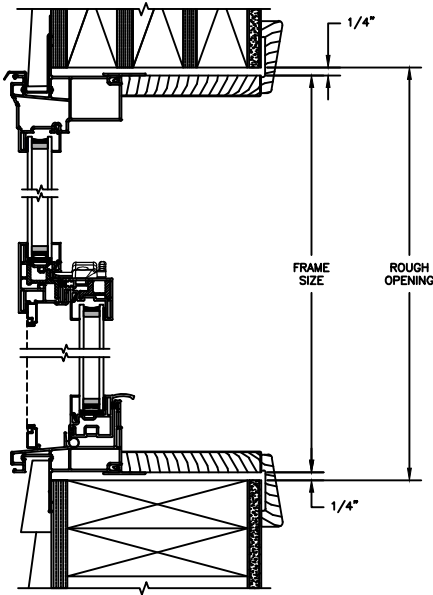
5/8" PUTTY WDL (EXTERIOR ONLY)  
WITH 5/8" FLAT INNERGRILLE

# Next Dimension Classic Series

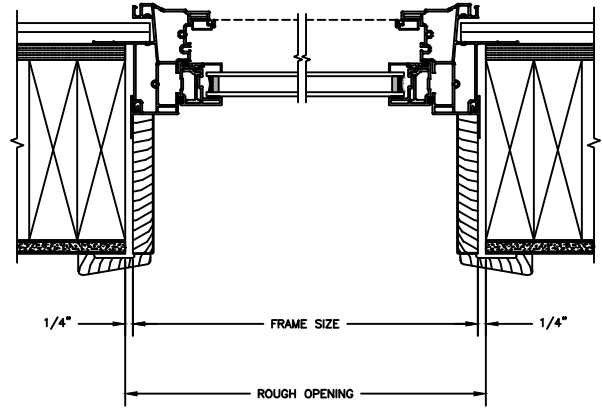
## SINGLE HUNG

SECTION DETAILS : CONSTRUCTION

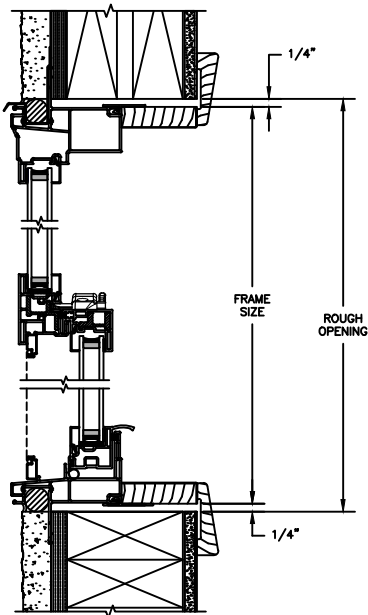
SCALE: 2" = 1'-0"



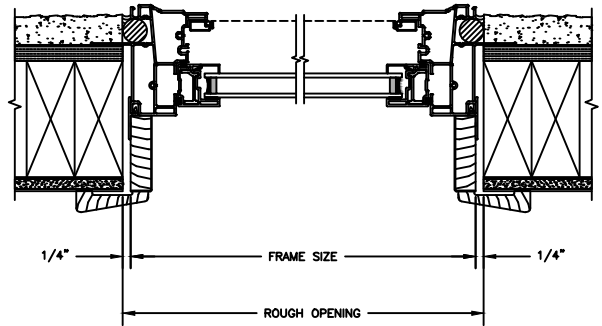
HEAD JAMB & SILL  
2 X 6 FRAME WITH SIDING



JAMBS  
2 X 6 FRAME WITH SIDING



HEAD JAMB & SILL  
2 X 4 FRAME WITH STUCCO



JAMBS  
2 X 4 FRAME WITH STUCCO

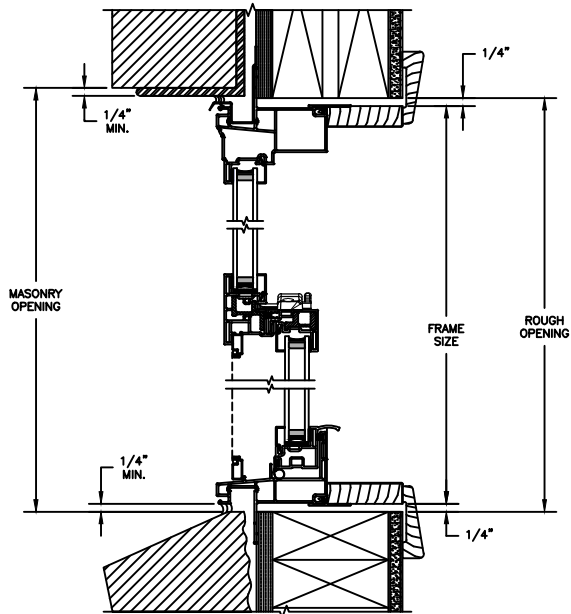
NOTE :  
THE ABOVE WALL SECTIONS REPRESENT TYPICAL WALL CONDITIONS, THESE DETAILS ARE NOT INTENDED AS INSTALLATIONS INSTRUCTIONS. PLEASE REFER TO THE INSTALLATION INSTRUCTIONS PROVIDED WITH THE PURCHASED UNITS.

# Next Dimension Classic Series

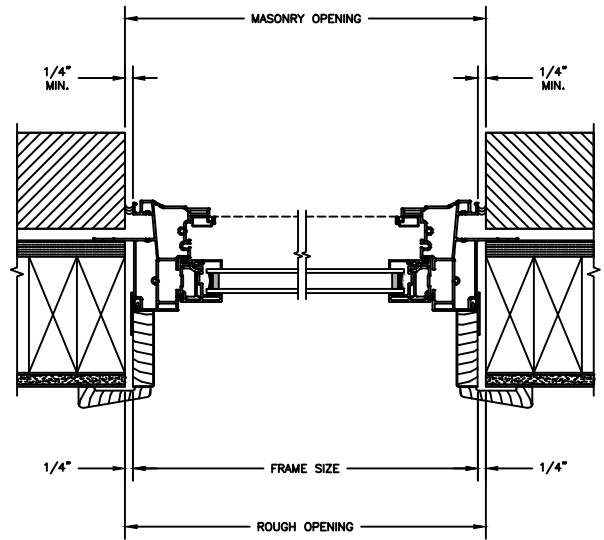
## SINGLE HUNG

SECTION DETAILS : CONSTRUCTION

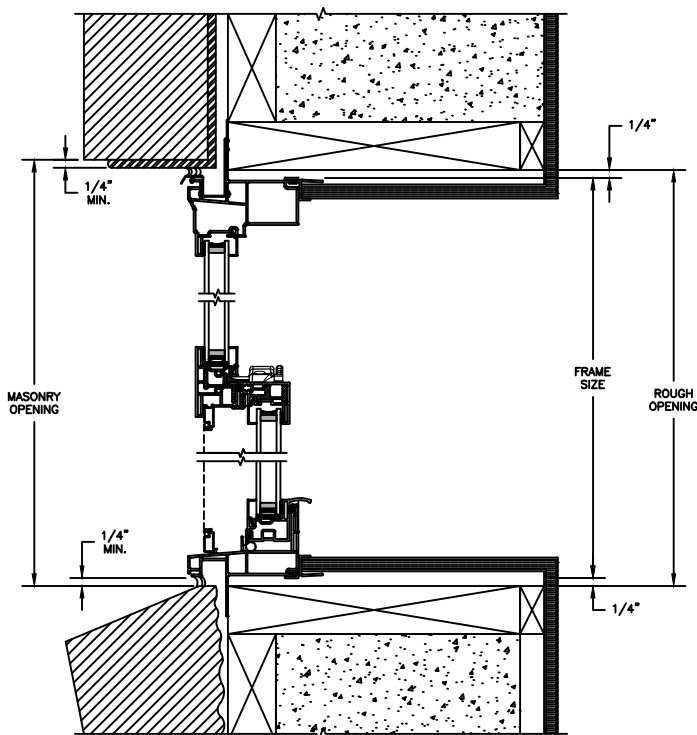
SCALE: 2" = 1'-0"



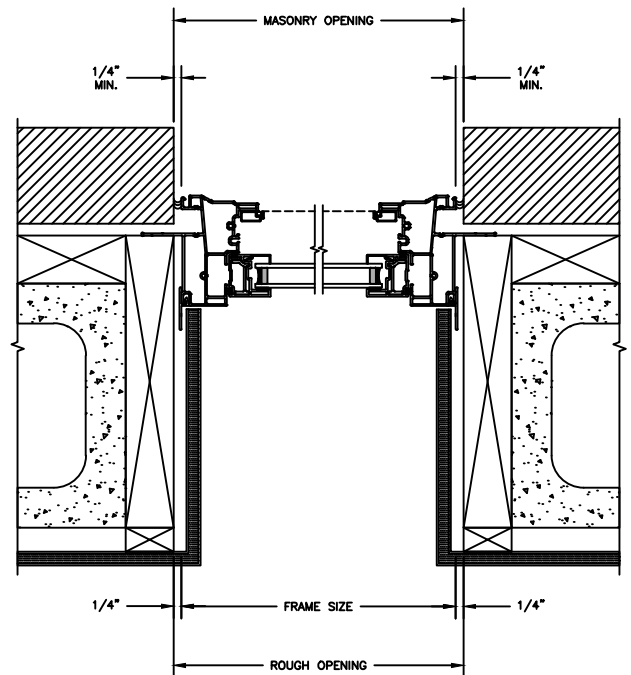
HEAD JAMB & SILL  
2 X 4 FRAME WITH BRICK VENEER



JAMBS  
2 X 4 FRAME WITH BRICK VENEER



HEAD JAMB & SILL  
8" CONCRETE BLOCK WALL  
WITH BRICK VENEER



JAMBS  
8" CONCRETE BLOCK WALL  
WITH BRICK VENEER

NOTE:  
THE ABOVE WALL SECTIONS REPRESENT TYPICAL WALL CONDITIONS, THESE DETAILS ARE NOT INTENDED AS INSTALLATIONS INSTRUCTIONS. PLEASE REFER TO THE INSTALLATION INSTRUCTIONS PROVIDED WITH THE PURCHASED UNITS.