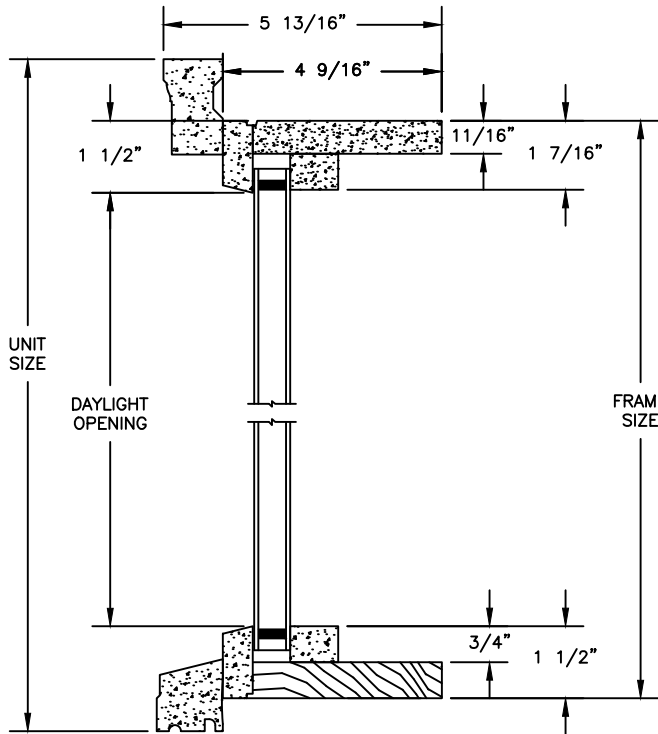


# Legend Series

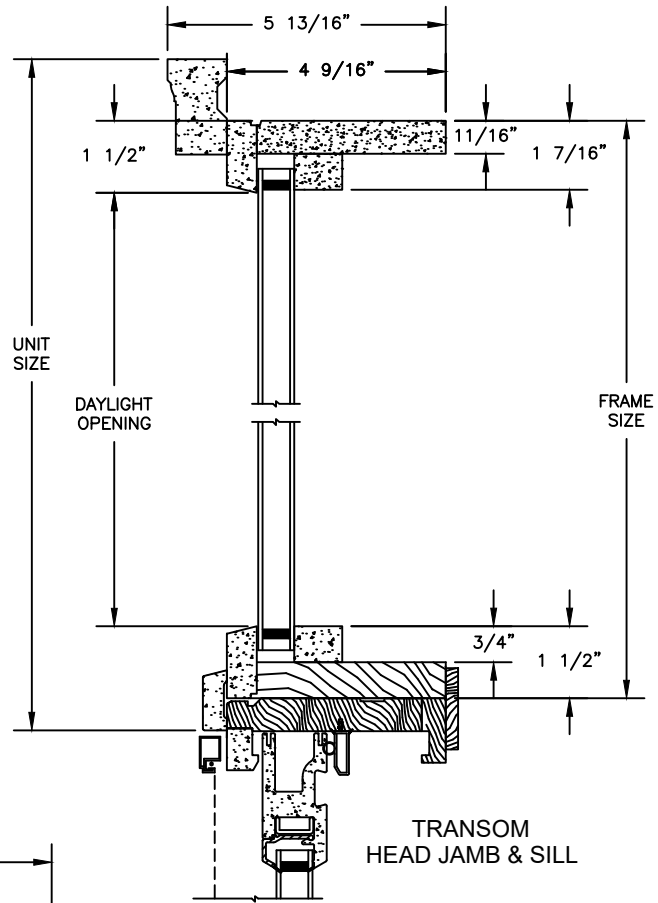
## LEGEND RADIUS

SECTION DETAILS : DIRECT GLAZE

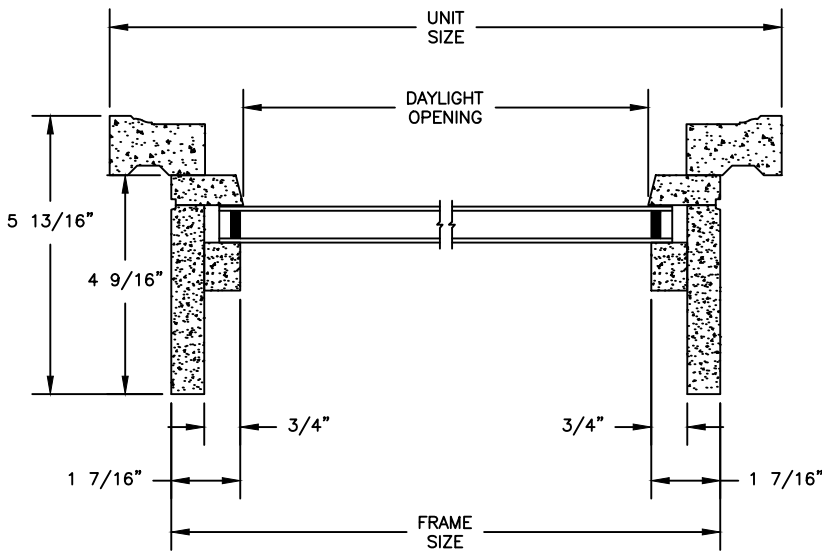
SCALE: 3" = 1'-0"



HEAD JAMB & SILL

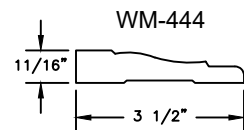
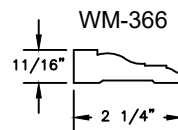
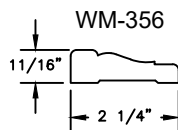
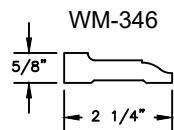
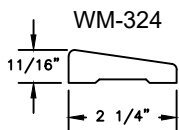


TRANSOM  
HEAD JAMB & SILL



HALF ROUNDS, FULL ROUNDS & OVALS  
JAMB

### AVAILABLE INTERIOR TRIM PROFILES

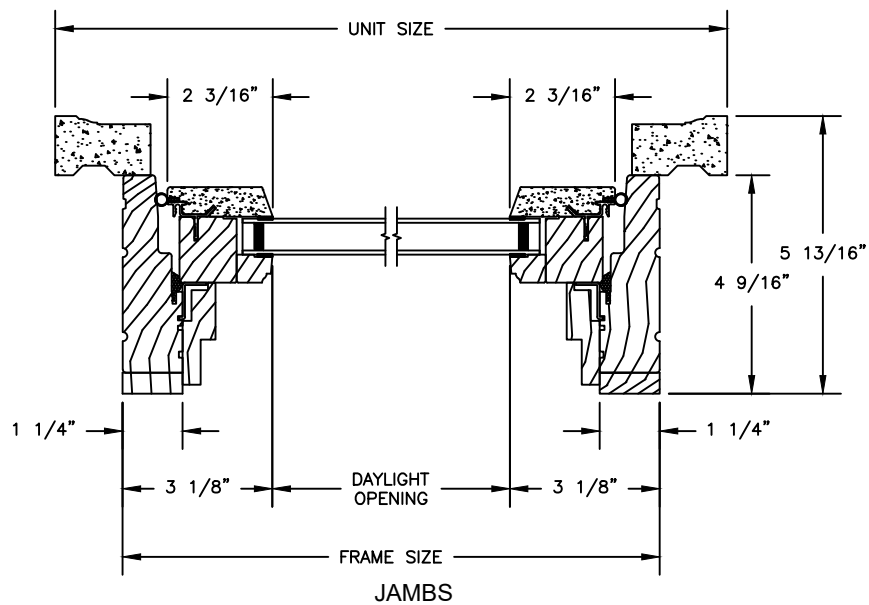
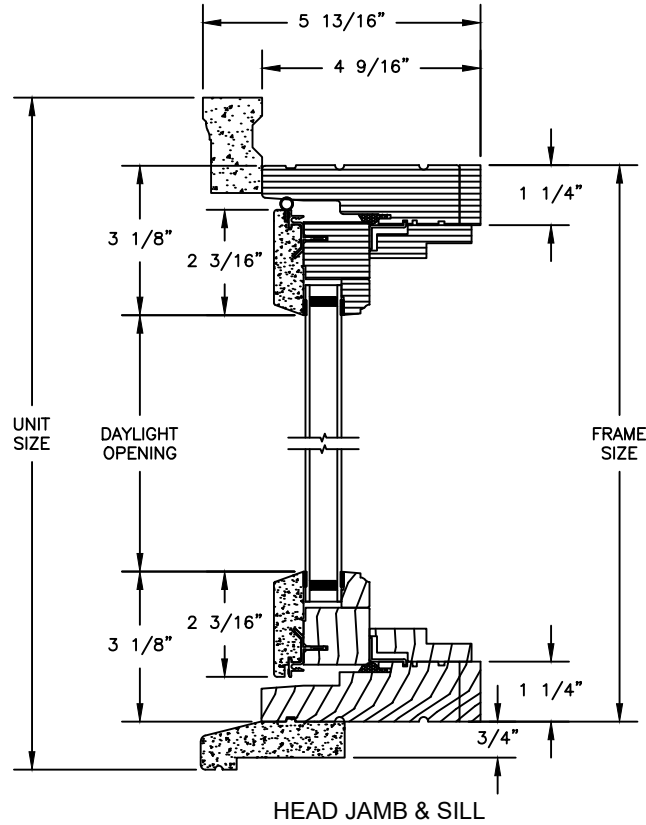


# Legend Series

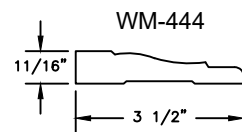
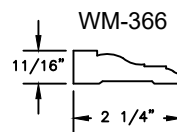
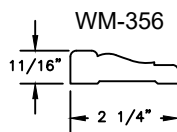
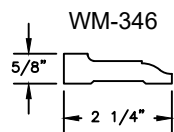
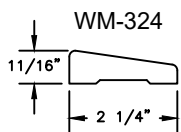
## LEGEND RADIUS

SECTION DETAILS : IN-SASH FLAT SILL

SCALE: 3" = 1'-0"



### AVAILABLE INTERIOR TRIM PROFILES

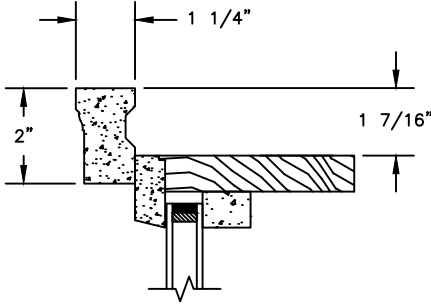


# Legend Series

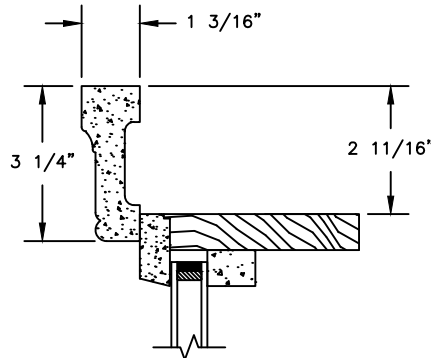
## LEGEND RADIUS

SECTION DETAILS : CASING OPTIONS

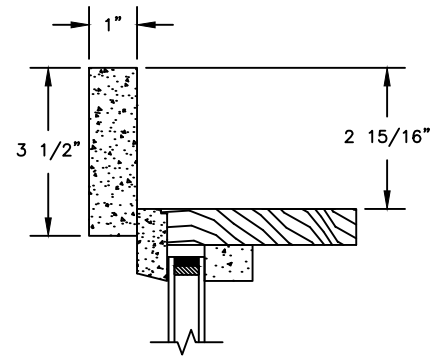
SCALE: 3" = 1'-0"



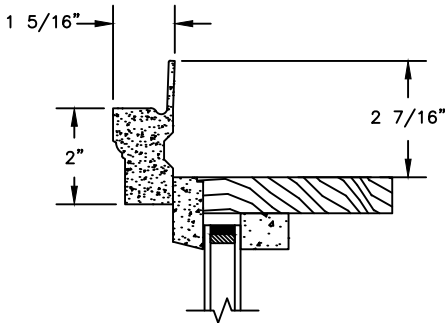
HEAD JAMB WITH  
WM180 BRICKMOULD



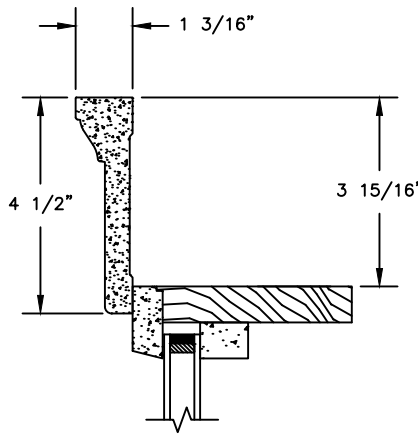
HEAD JAMB WITH  
WILLIAMSBURG BRICKMOULD



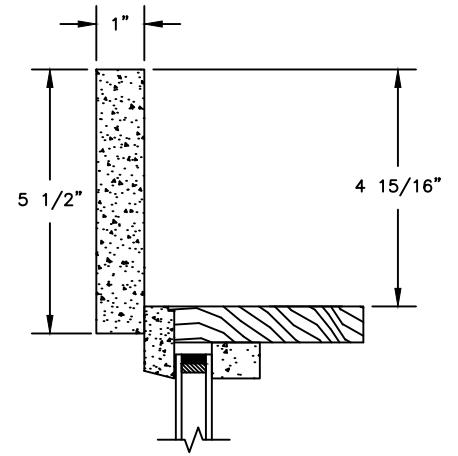
HEAD JAMB WITH  
3 1/2" FLAT CASING



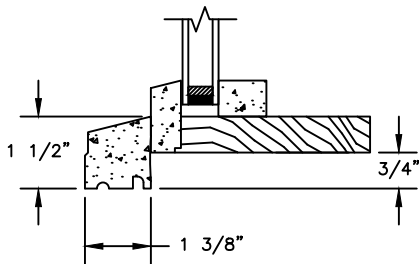
HEAD JAMB WITH  
180 FLANGED BRICKMOULD



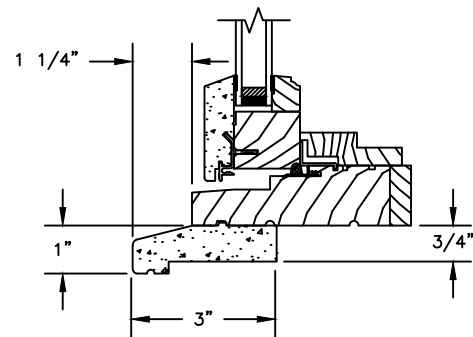
HEAD JAMB WITH  
4 1/2" BACKBAND



HEAD JAMB WITH  
5 1/2" FLAT CASING



DIRECT GLAZE SILL WITH  
STANDARD SILLNOSE



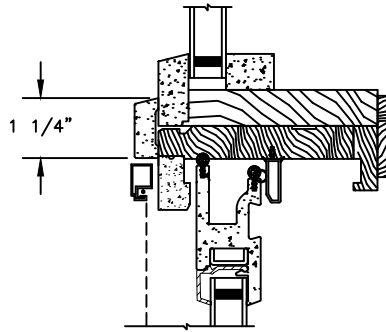
INSASH SILL WITH  
STANDARD SUBSILL

# Legend Series

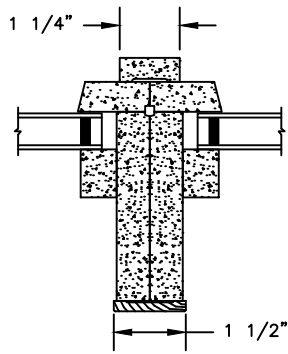
## LEGEND RADIUS

SECTION DETAILS : MULLIONS

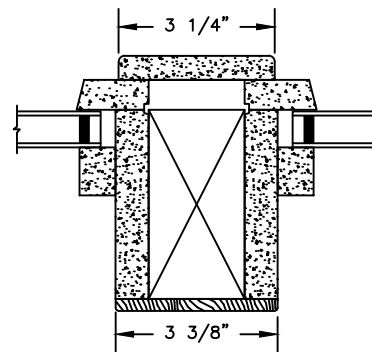
SCALE: 3" = 1'-0"



HORIZONTAL MULLION



VERTICAL MULLION



VERTICAL MULLION WITH  
2" SPREAD MULL  
ADDITIONAL WIDTHS INCLUDE:  
1" - 5"



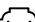
# Legend Series

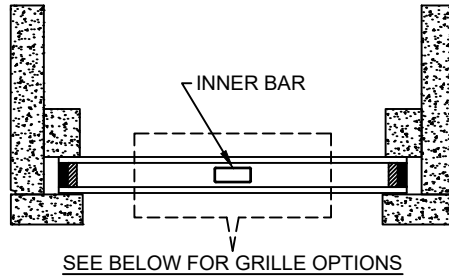
## LEGEND RADIUS - DIRECT GLAZE

SECTION DETAILS : DIVIDED LITE OPTIONS

SCALE: 3" = 1'-0"

AVAILABLE STYLES

-  - PUTTY
-  - TALL PUTTY
-  - OGEE



	5/8" WDL WITH INNER BAR	7/8" WDL WITH INNERBAR	1 1/4" WDL WITH INNERBAR	2" WDL WITH INNERBAR
STANDARD INSULATING GLASS				
13/16" INNERGRILLE				
3/4" PROFILED INNERGRILLE				
1" PROFILED INNERGRILLE				
7/8" STICK GRILLE				
1 1/4" STICK GRILLE				

NOTE:  
\* ALL WDL OPTIONS CAN BE ORDERED WITH OR WITHOUT INNER BAR

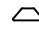


# Legend Series

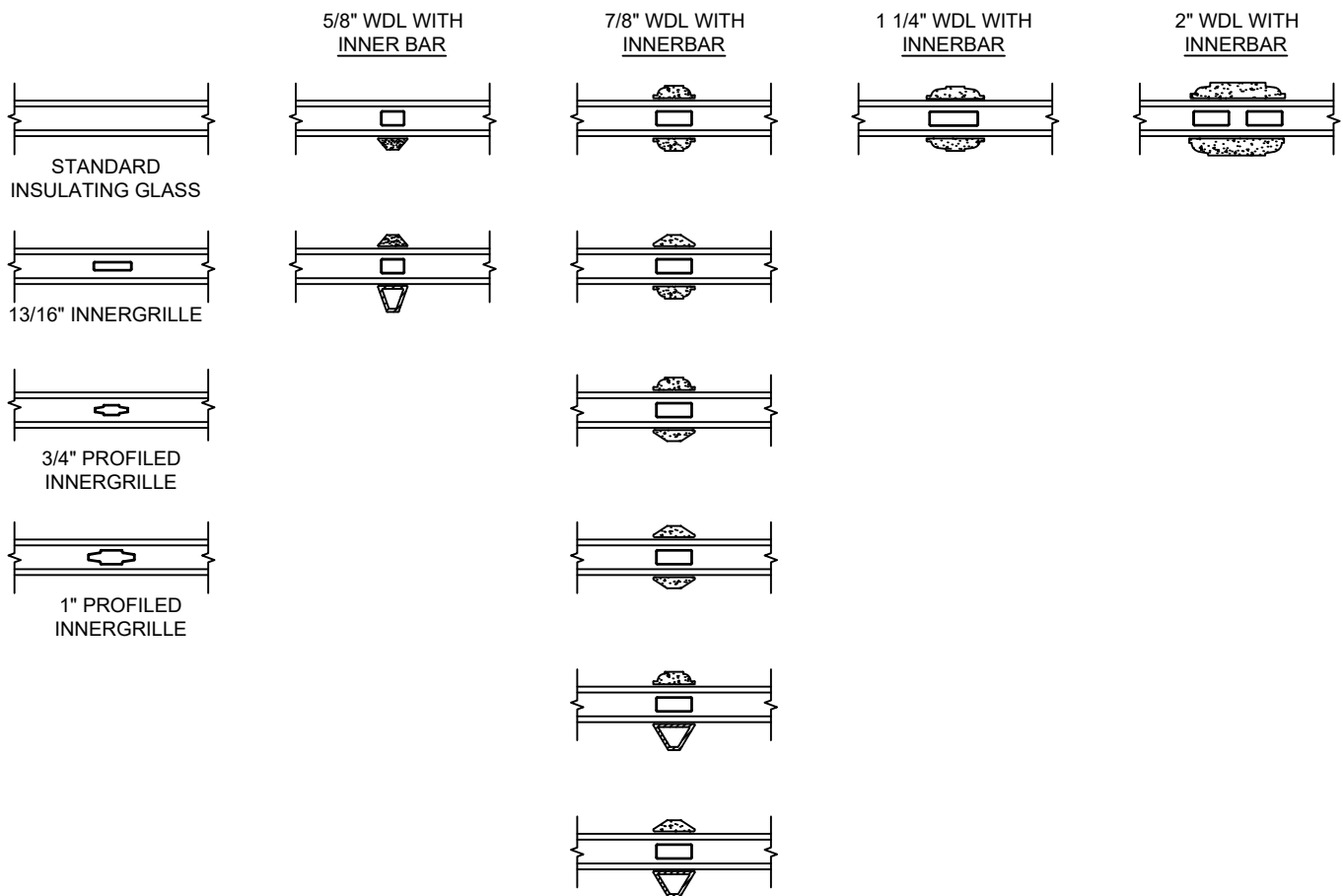
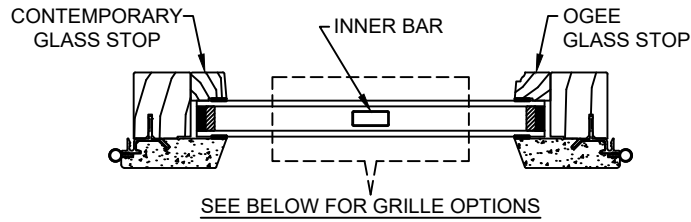
## LEGEND RADIUS - IN-SASH

SECTION DETAILS : DIVIDED LITE OPTIONS

SCALE: 3" = 1'-0"

AVAILABLE STYLES

-  - PUTTY
-  - TALL PUTTY
-  - OGEE



NOTE:

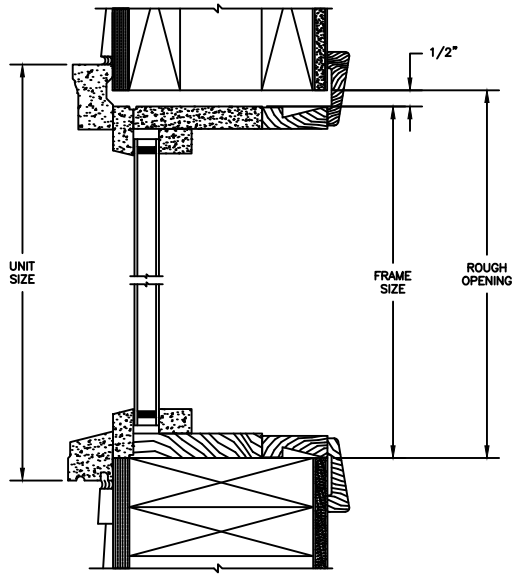
\* ALL WDL OPTIONS CAN BE ORDERED WITH OR WITHOUT INNER BAR

6/2/23

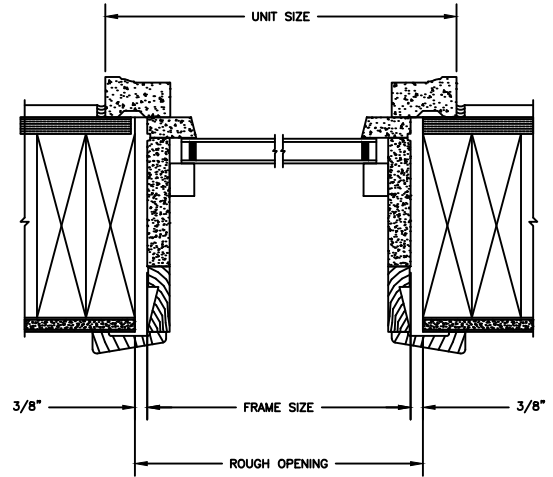
# Legend Series

## LEGEND RADIUS

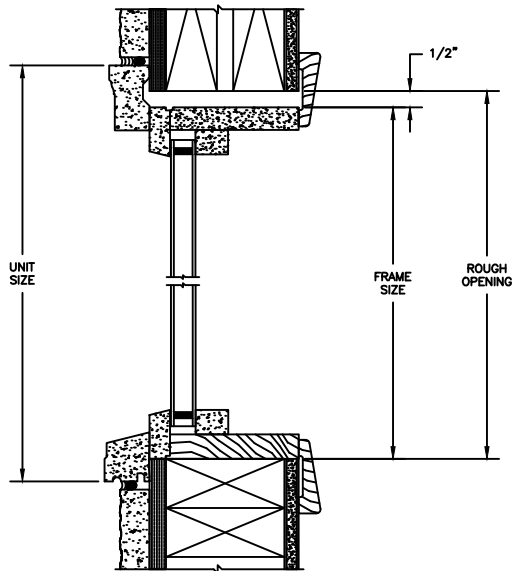
SECTION DETAILS : CONSTRUCTION  
SCALE: NTS



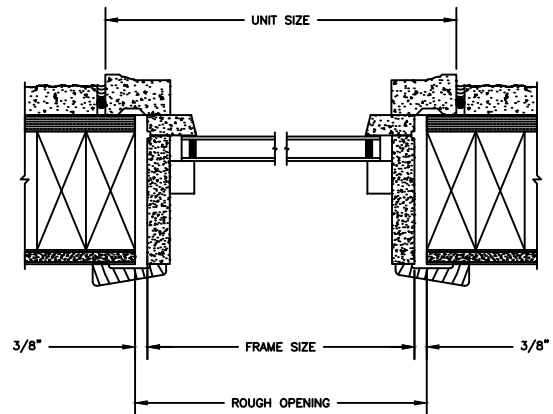
HEAD JAMB & SILL  
2 X 6 FRAME WITH SIDING



JAMBS  
2 X 6 FRAME WITH SIDING



HEAD JAMB & SILL  
2 X 4 FRAME WITH STUCCO



JAMBS  
2 X 4 FRAME WITH STUCCO

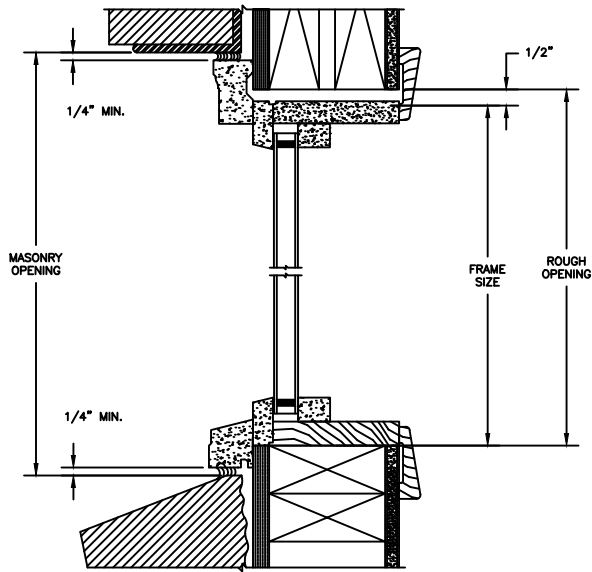
NOTE :  
THE ABOVE WALL SECTIONS REPRESENT TYPICAL WALL CONDITIONS, THESE DETAILS ARE NOT INTENDED AS INSTALLATIONS INSTRUCTIONS. PLEASE REFER TO THE INSTALLATION INSTRUCTIONS PROVIDED WITH THE PURCHASED UNITS.

# Legend Series

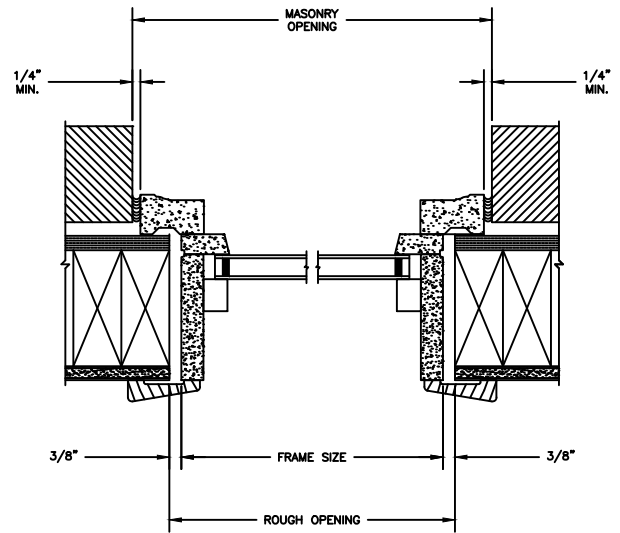
## LEGEND RADIUS

SECTION DETAILS : CONSTRUCTION

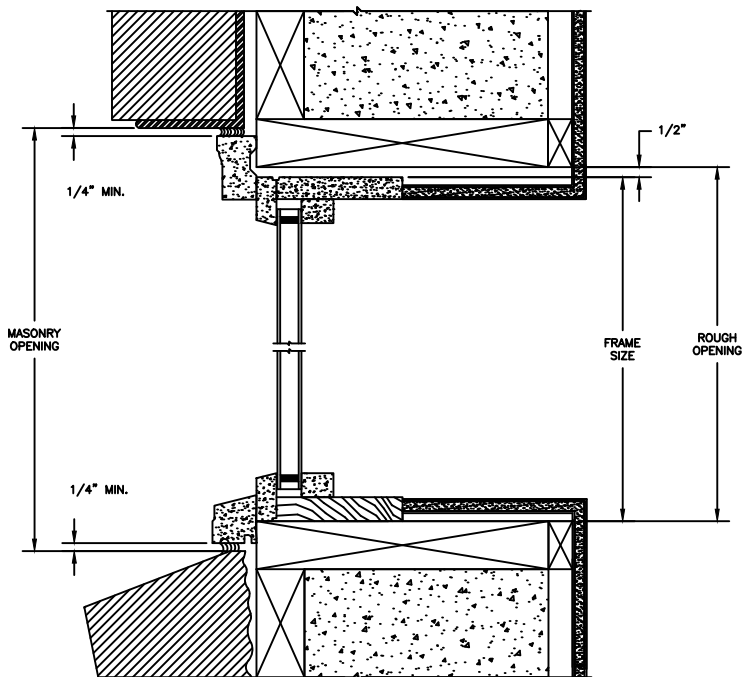
SCALE: 2" = 1'-0"



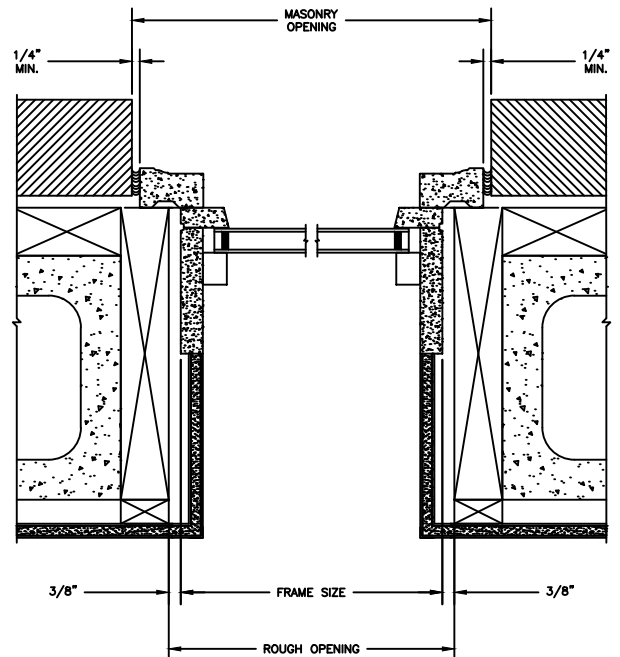
HEAD JAMB & SILL  
2 X 4 FRAME WITH BRICK VENEER



JAMBS  
2 X 4 FRAME WITH BRICK VENEER



HEAD JAMB & SILL  
8" CONCRETE BLOCK WALL  
WITH BRICK VENEER



JAMBS  
8" CONCRETE BLOCK WALL  
WITH BRICK VENEER

NOTE :  
THE ABOVE WALL SECTIONS REPRESENT TYPICAL WALL CONDITIONS, THESE DETAILS ARE NOT INTENDED AS INSTALLATIONS INSTRUCTIONS. PLEASE REFER TO THE INSTALLATION INSTRUCTIONS PROVIDED WITH THE PURCHASED UNITS.