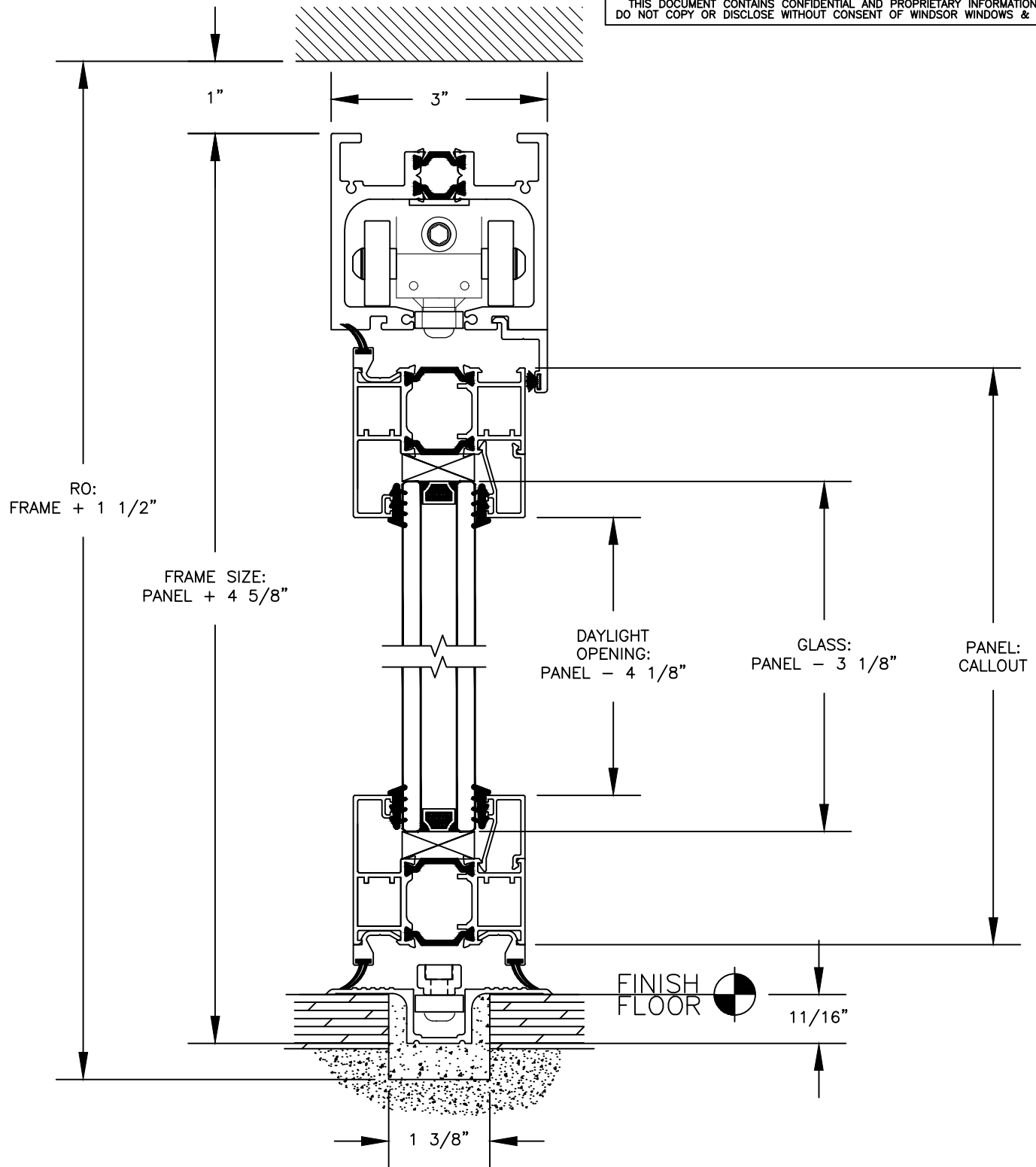


THIS DOCUMENT CONTAINS CONFIDENTIAL AND PROPRIETARY INFORMATION.
DO NOT COPY OR DISCLOSE WITHOUT CONSENT OF WINDSOR WINDOWS & DOORS.



8-0	96	92 7/8	100 5/8	102 1/8
9-0	108	104 7/8	112 5/8	114 1/8
10-0	120	116 7/8	124 5/8	126 1/8
11-0	132	128 7/8	136 5/8	138 1/8
12-0	144	140 7/8	148 5/8	150 1/8
Call-Out	Panel	Glass	Frame	RO

PRODUCT: SELECT BI-FOLD DOOR

1	xx/xx/xx	REVISION DESCRIPTION	XXX	XXX
NO	DATE	REVISION	BY	ECN
DESCRIPTION:		RECESSED TRACK HEAD & SILL SECTION		

DWG BY: CJK
DATE: 2/27/20
CHKD BY:
SCALE: 1:2

DWG. NO.: TFD-601
REV #: —