

# Pinnacle Select Impact Series

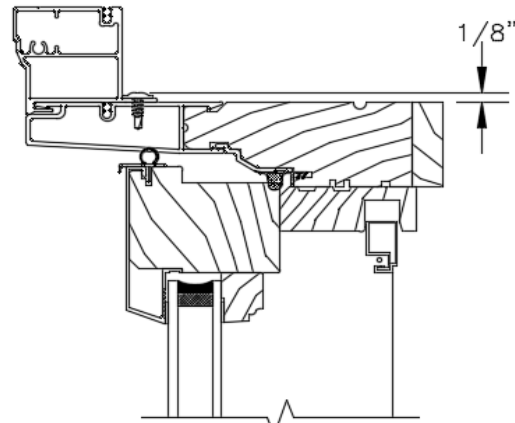
## CLAD CASEMENT

### MEASUREMENT CONVERSIONS

STANDARD (NO CASING)												
Size Referenced	Daylite Opening		Glass Size		Frame Size		Rough Opening		Unit Size		Masonry Opening	
Daylite Opening			Width	+1 1/4"	Width	+6 1/2"	Width	+7 1/4"	Width	+6 1/2"	Width	+7 1/4"
			Height	+1 1/4"	Height	+6 1/2"	Height	+7"	Height	+6 1/2"	Height	+7"
Glass Size	Width	-1 1/4"			Width	+5 1/4"	Width	+6"	Width	+5 1/4"	Width	+6"
	Height	-1 1/4"			Height	+5 1/4"	Height	+5 3/4"	Height	+5 1/4"	Height	+5 3/4"
Frame Size	Width	-6 1/2"	Width	-5 1/4"			Width	+3/4"	Width	+0"	Width	+3/4"
	Height	-6 1/2"	Height	-5 1/4"			Height	+1/2"	Height	+0"	Height	+1/2"
Rough Opening	Width	-7 1/4"	Width	-6"	Width	-3/4"			Width	-3/4"	Width	+0"
	Height	-7"	Height	-5 3/4"	Height	-1/2"			Height	-1/2"	Height	+0"
Unit Size	Width	-6 1/2"	Width	-5 1/4"	Width	-0"	Width	3/4"			Width	+3/4"
	Height	-6 1/2"	Height	-5 1/4"	Height	-0"	Height	+1/2"			Height	+1/2"
Masonry Opening	Width	-7 1/4"	Width	-6"	Width	-3/4"	Width	-0"	Width	-3/4"		
	Height	-7"	Height	-5 3/4"	Height	-1/2"	Height	-0"	Height	-1/2"		

### FRAME TO UNIT ADDERS

WM180 Brickmould	3/8" Subsill	+ 2 13/16	Width
		+ 1 3/4	Height
	1 1/4" Subsill	+ 2 13/16	Width
		+ 2 11/16	Height
2 1/4" Subsill	+ 2 13/16	Width	
	+ 3 11/16	Height	
Williamsburg Casing	3/8" Subsill	+ 6 1/2	Width
		+ 3 5/8	Height
	1 1/4" Subsill	+ 6 1/2	Width
		+ 4 1/2	Height
	2 1/4" Subsill	+ 6 1/2	Width
		+ 5 1/2	Height
3 1/2" Flat Casing	3/8" Subsill	+ 5 7/8	Width
		+ 3 5/16	Height
	1 1/4" Subsill	+ 5 7/8	Width
		+ 4 3/16	Height
	2 1/4" Subsill	+ 5 7/8	Width
		+ 5 3/16	Height



**NOTE: RIGID NAIL FIN AND ALL CASING OPTIONS ARE APPLIED WITH SCREWS THAT SLIGHTLY PROTRUDE INTO ROUGH OPENING BY 1/8". THESE SCREWS ARE NOT INCLUDED IN ROUGH OPENING CALCULATIONS.**

**NOTE: ADD 3/4" TO UNIT WIDTH AND 1/2" TO UNIT HEIGHT TO CALCULATE MASONRY OPENING.**