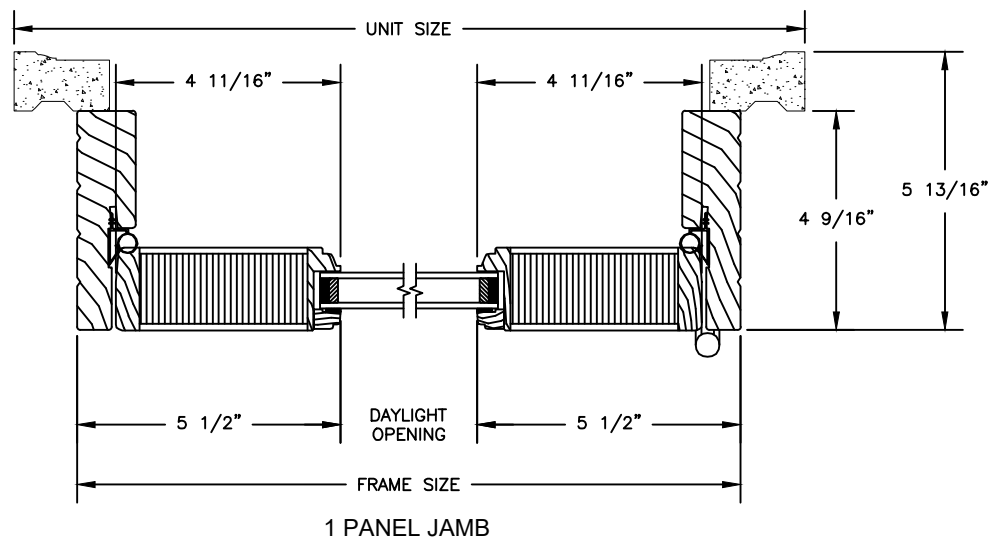
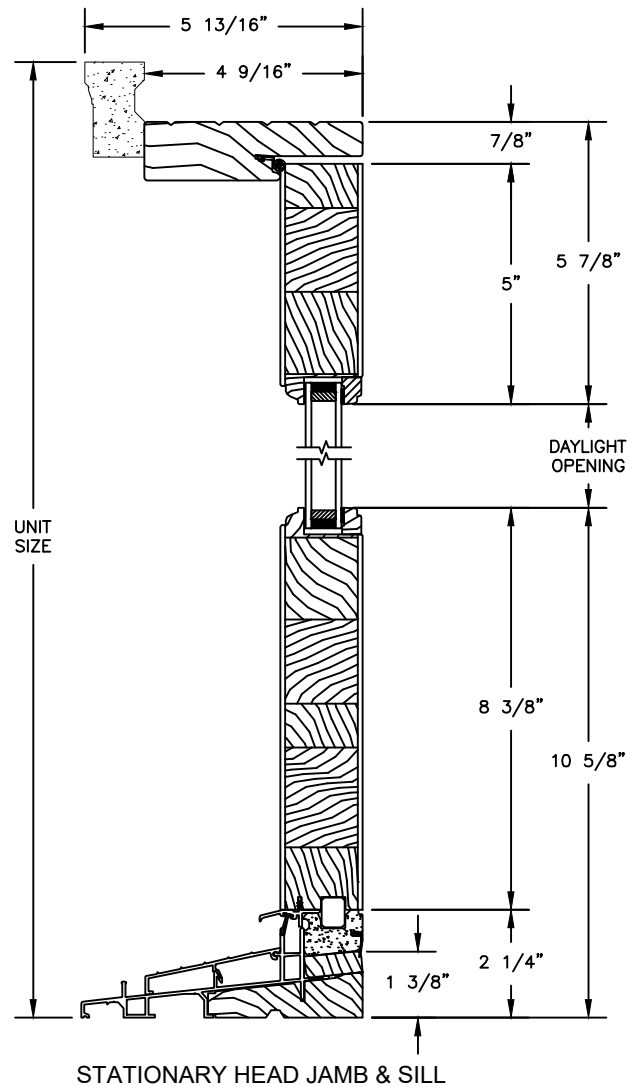
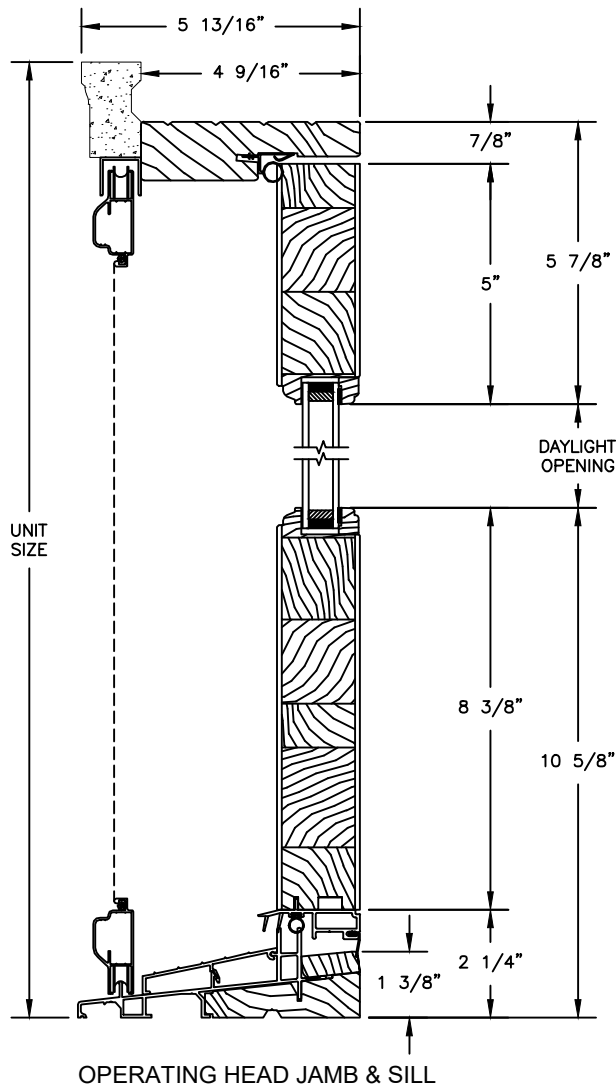


Pinnacle Series

PRIMED PATIO DOOR - INSWING

SECTION DETAILS

SCALE: 3" = 1'-0"

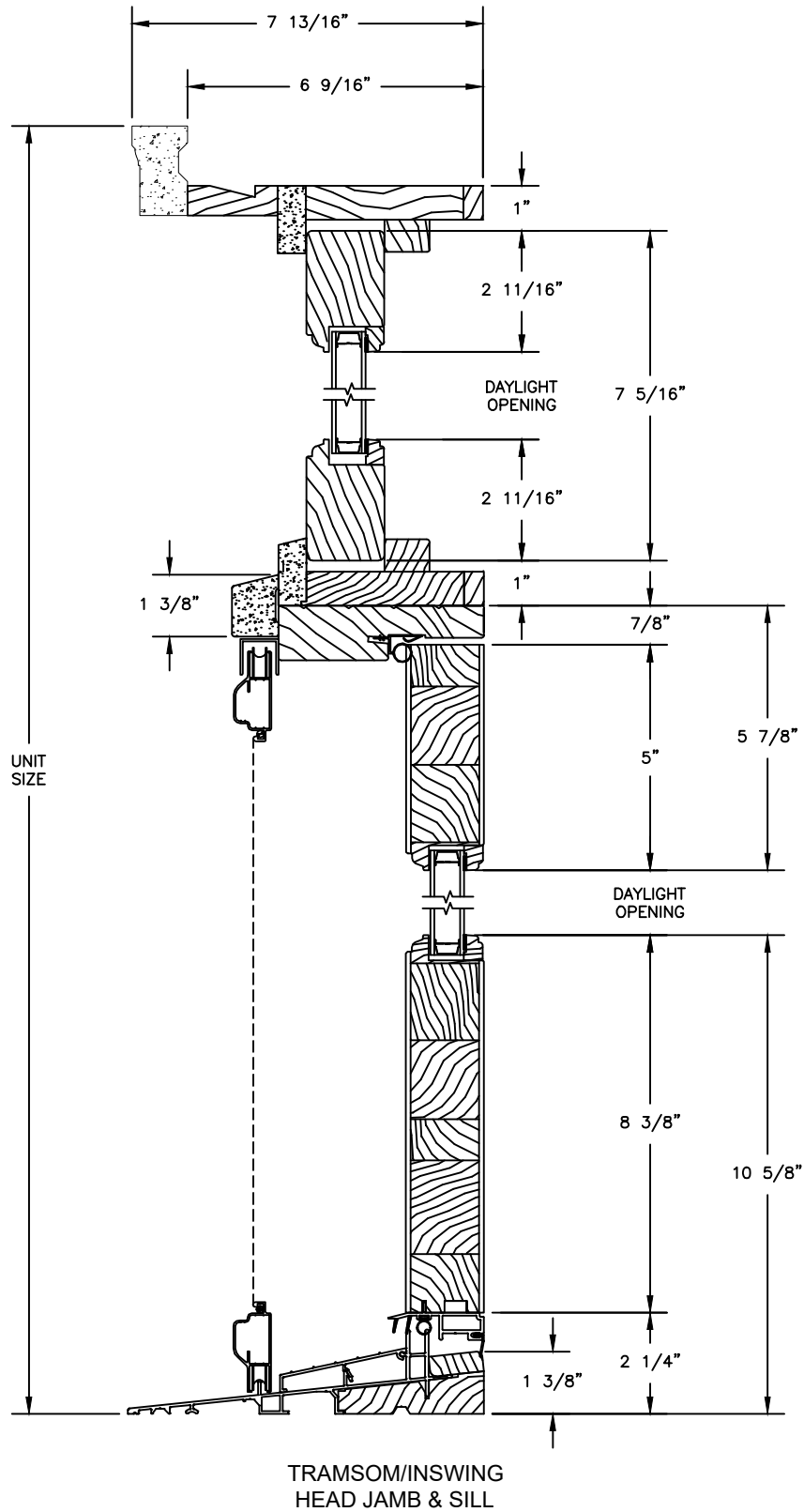


Pinnacle Series

PRIMED PATIO DOOR - INSWING

SECTION DETAILS: 6-9/16" JAMB WITH TRANSOM

SCALE: 3" = 1'-0"

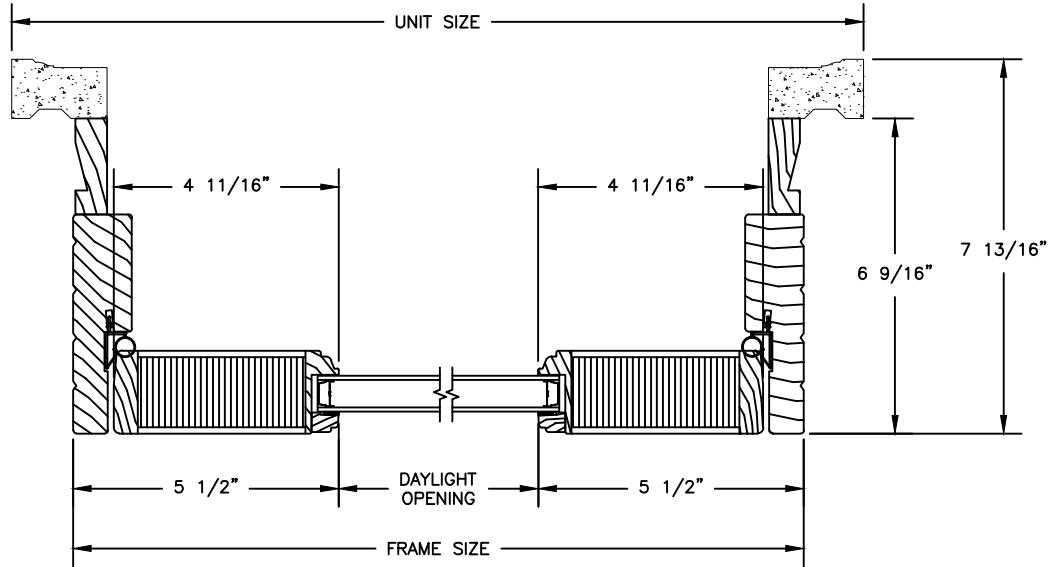


Pinnacle Series

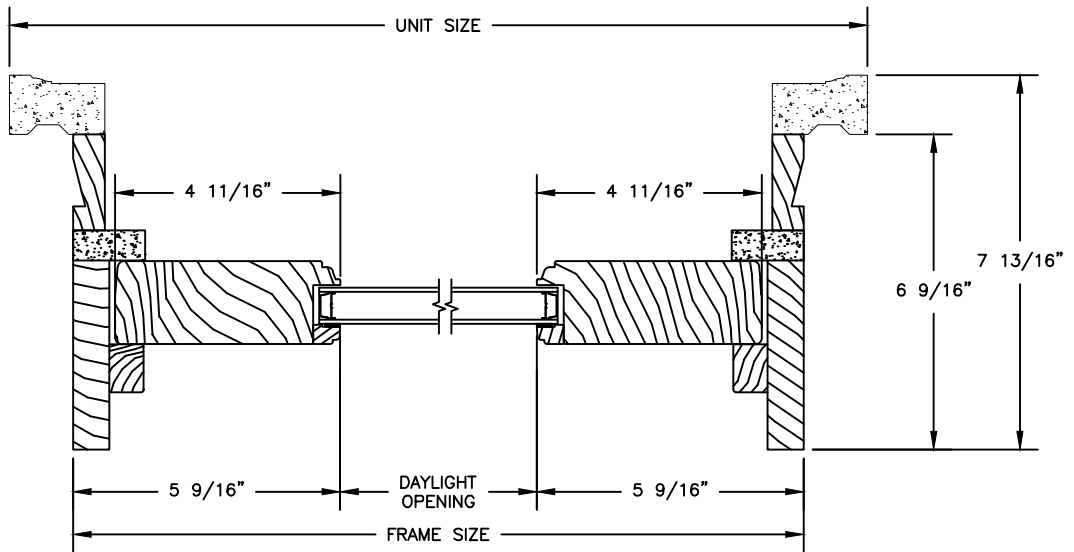
PRIMED PATIO DOOR - INSWING

SECTION DETAILS: 6-9/16" INSWING & TRANSOM JAMB

SCALE: 3" = 1'-0"



INSWING JAMB

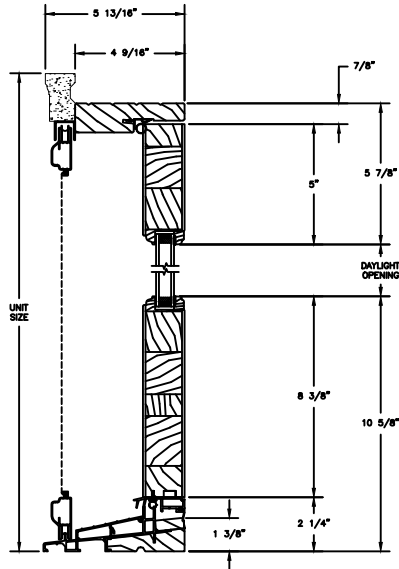


TRANSOM JAMB

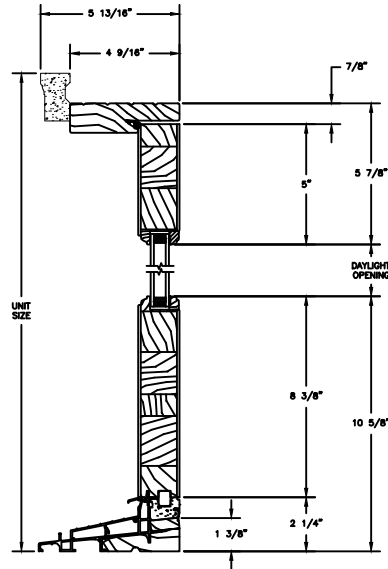
Pinnacle Series

PRIMED PATIO DOOR - INSWING

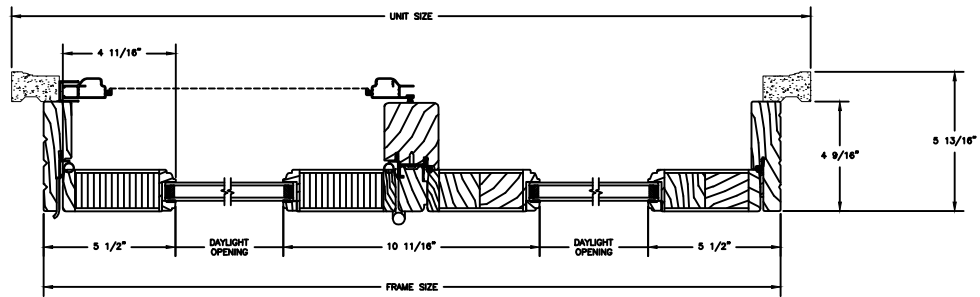
SECTION DETAILS
 SCALE: 1 1/2" = 1'-0"



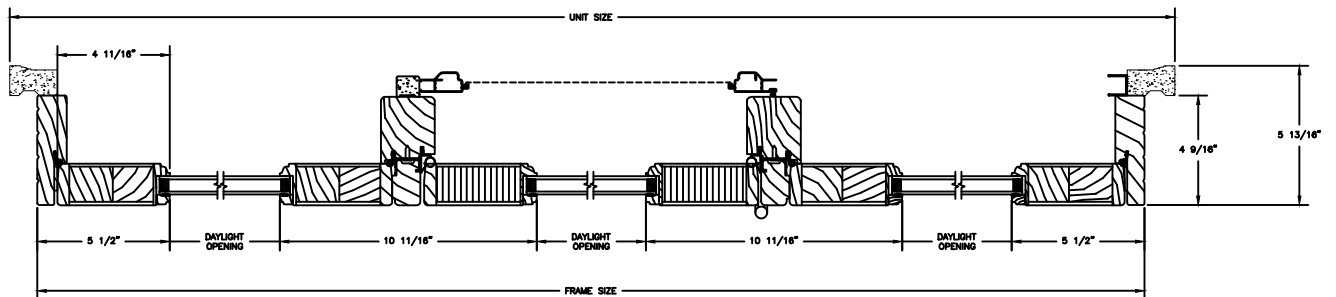
OPERATING HEAD JAMB & SILL



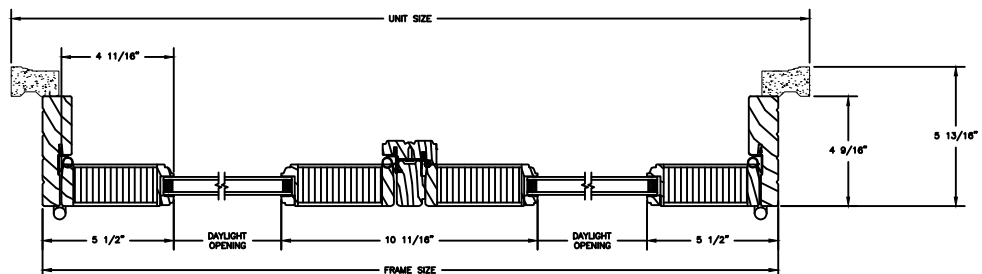
STATIONARY HEAD JAMB & SILL



2 PANEL JAMB



3 PANEL JAMB



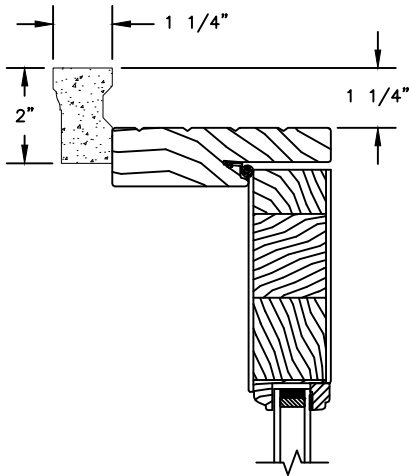
BI-HINGE JAMB

Pinnacle Series

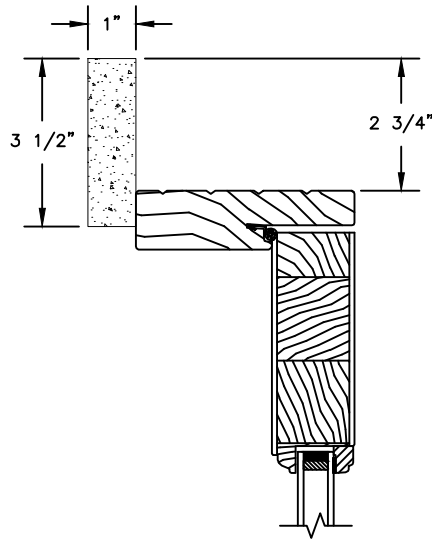
PRIMED PATIO DOOR - INSWING

SECTION DETAILS : CASING OPTIONS

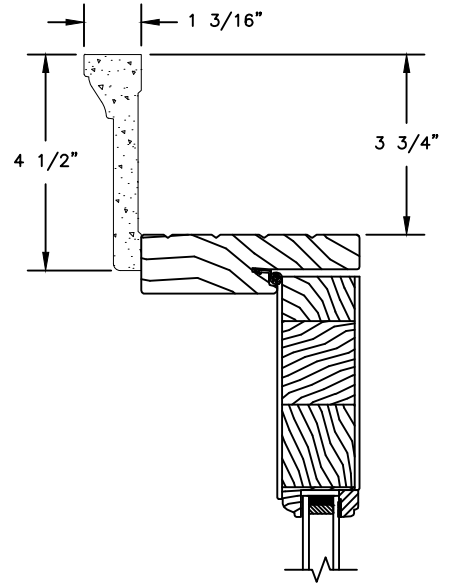
SCALE: 3" = 1'-0"



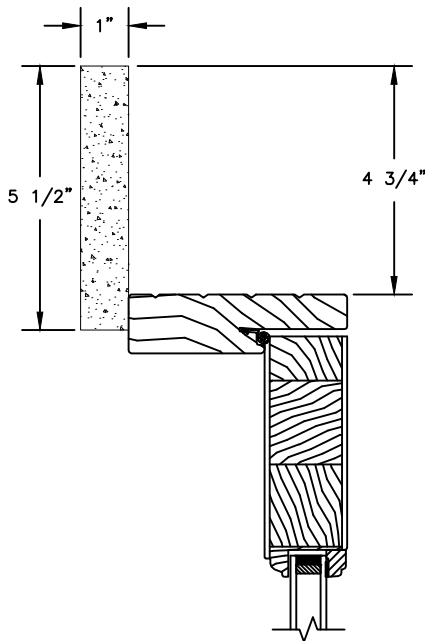
HEAD JAMB WITH
STANDARD 180 BRICKMOULD



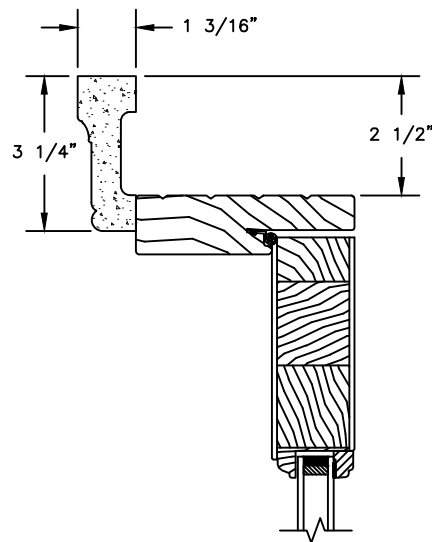
HEAD JAMB WITH
3 1/2" FLAT CASING



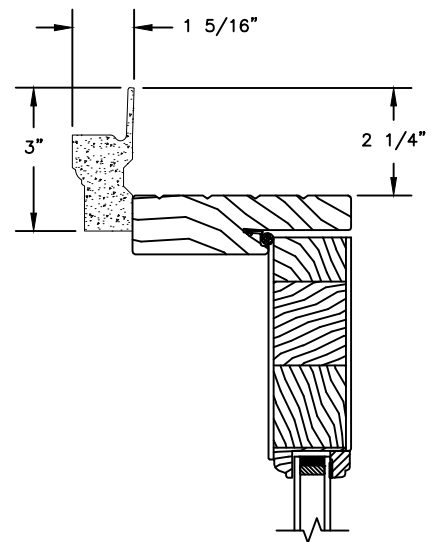
HEAD JAMB WITH
4 1/2" BACKBAND



HEAD JAMB WITH
5 1/2" FLAT CASING



HEAD JAMB WITH
WILLIAMSBURG BRICKMOULD



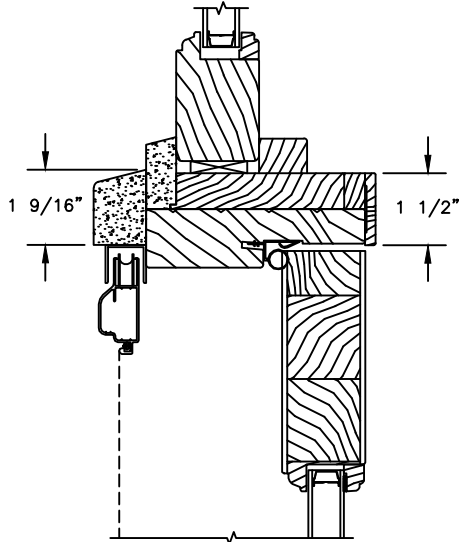
HEAD JAMB WITH
180 FLANGED BRICKMOULD

Pinnacle Series

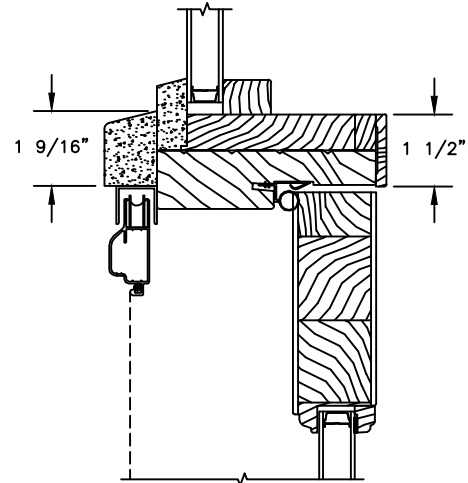
PRIMED PATIO DOOR - INSWING

SECTION DETAILS : MULLIONS

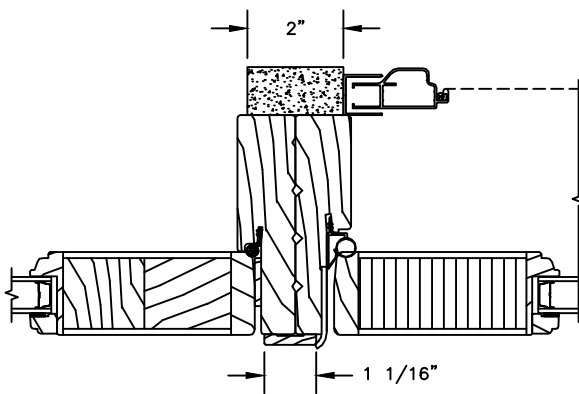
SCALE: 3" = 1'-0"



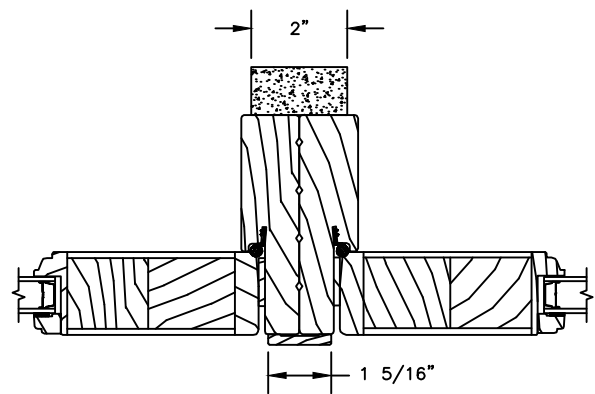
HORIZONTAL MULLION
TRANSOM/OPERATOR



HORIZONTAL MULLION
RADIUS/OPERATOR



VERTICAL MULLION
STATIONARY/OPERATOR



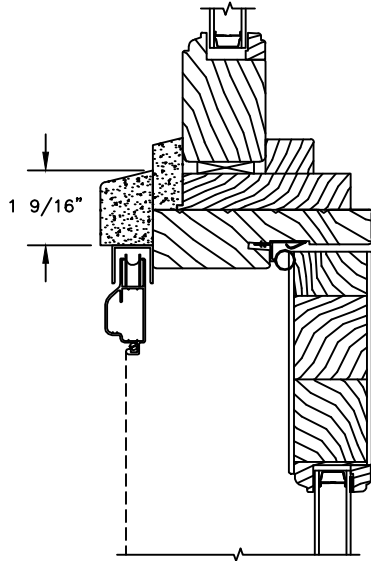
VERTICAL MULLION
STATIONARY/STATIONARY

Pinnacle Series

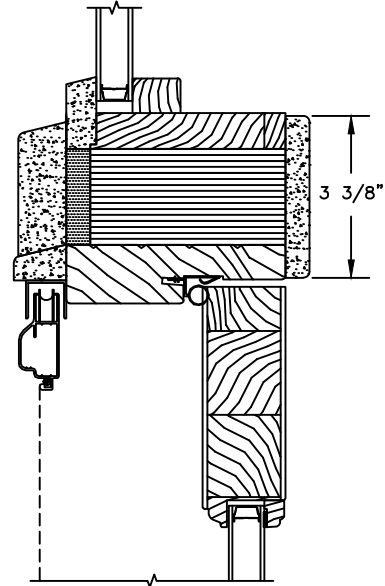
PRIMED PATIO DOOR - INSWING

SECTION DETAILS : MULLIONS

SCALE: 3" = 1'-0"



6-9/16" JAMB
HORIZONTAL MULLION
TRANSOM/OPERATOR



HORIZONTAL MULLION WITH
2" SPREAD MULL
RADIUS/OPERATOR
ADDITIONAL WIDTHS INCLUDE:
1" - 5"


Pinnacle Series

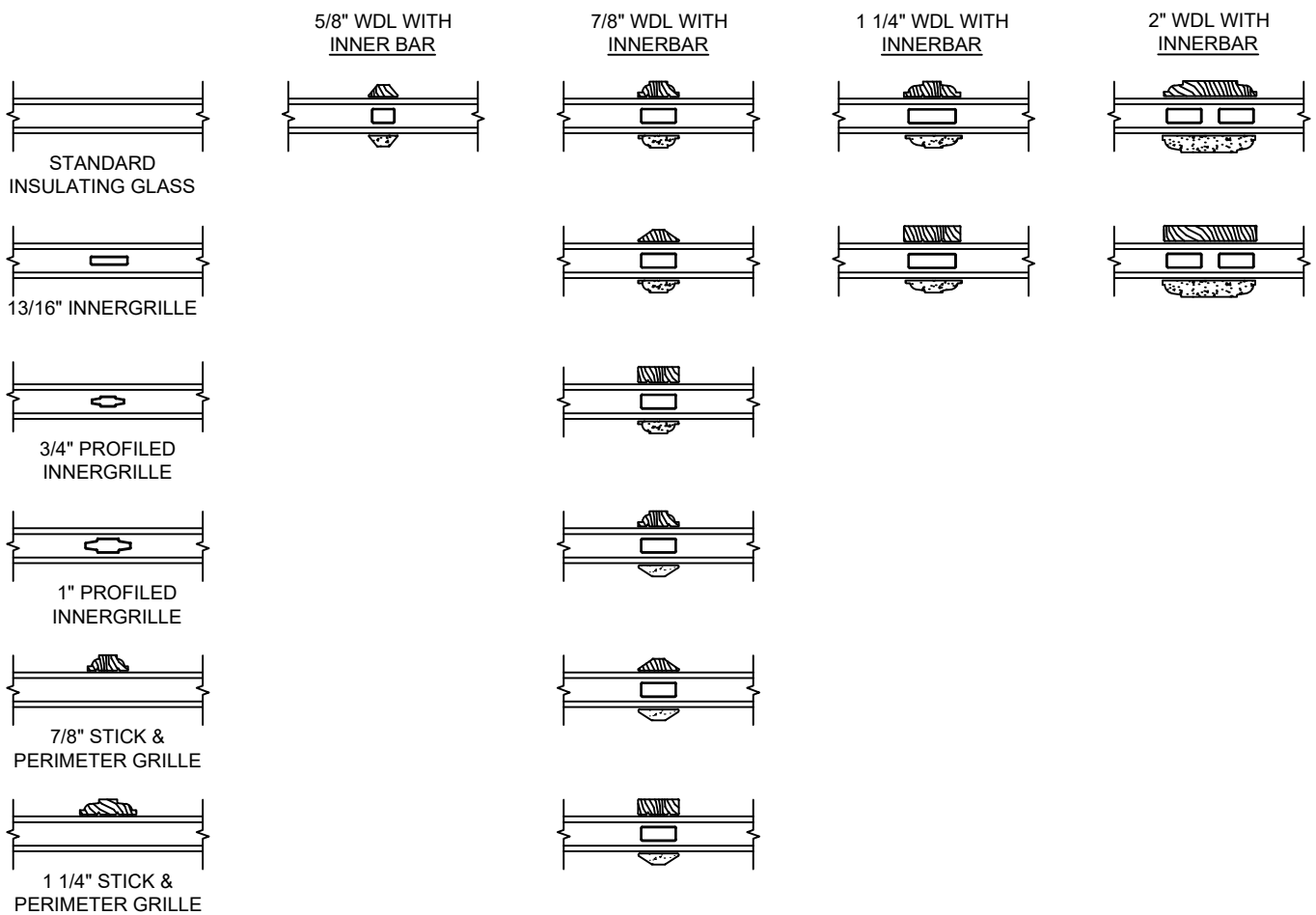
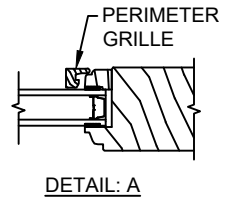
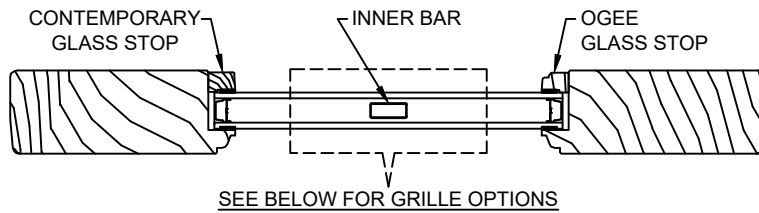
PRIMED PATIO DOOR - INSWING

SECTION DETAILS : GLASS STOP & DIVIDED LITE OPTIONS

SCALE: 3" = 1'-0"

AVAILABLE STYLES

-  - PUTTY
-  - OGEE
-  - CONTEMPORARY



NOTE:

* ALL WDL OPTIONS CAN BE ORDERED WITH OR WITHOUT INNER BAR

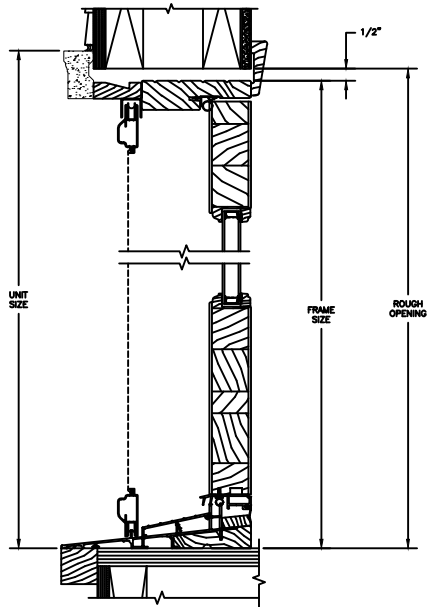
* PERIMETER GRILLES ONLY AVAILABLE IN THE 7/8" AND 1 1/4" OGEE STYLE GLASS STOP (SEE DETAIL: A)

Pinnacle Series

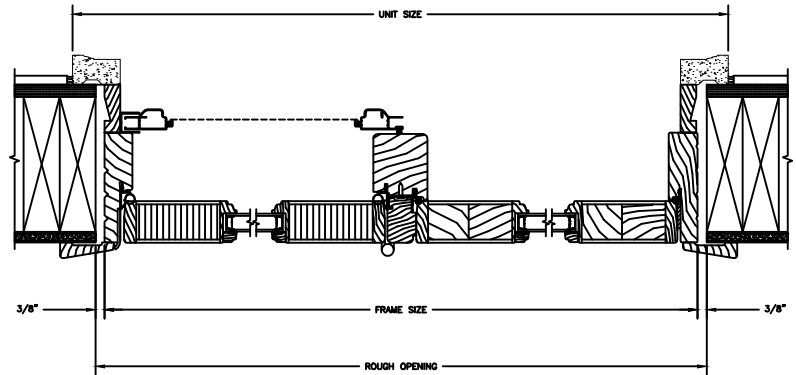
PRIMED PATIO DOOR - INSWING

SECTION DETAILS : CONSTRUCTION

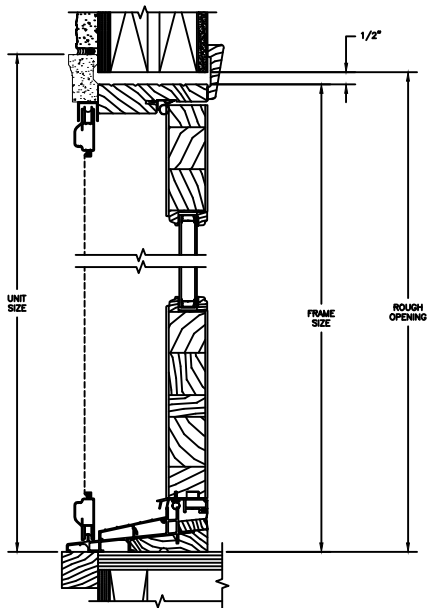
SCALE: 1 1/2" = 1'-0"



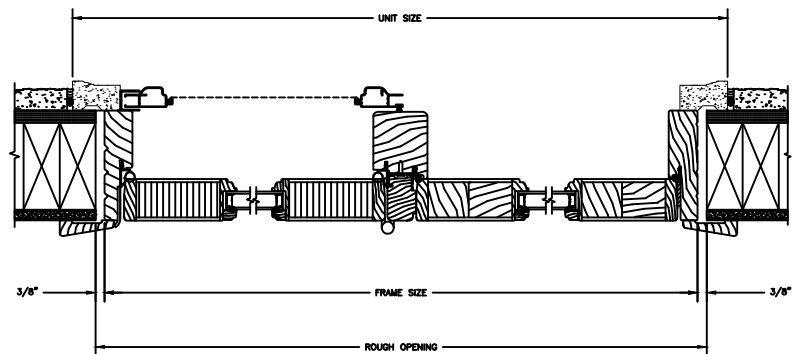
HEAD JAMB & SILL
2 X 6 FRAME WITH SIDING



JAMBS
2 X 6 FRAME WITH SIDING



HEAD JAMB & SILL
2 X 4 FRAME WITH STUCCO



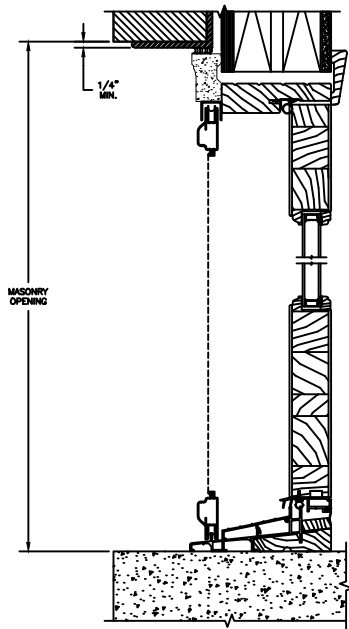
JAMBS
2 X 4 FRAME WITH STUCCO

Pinnacle Series

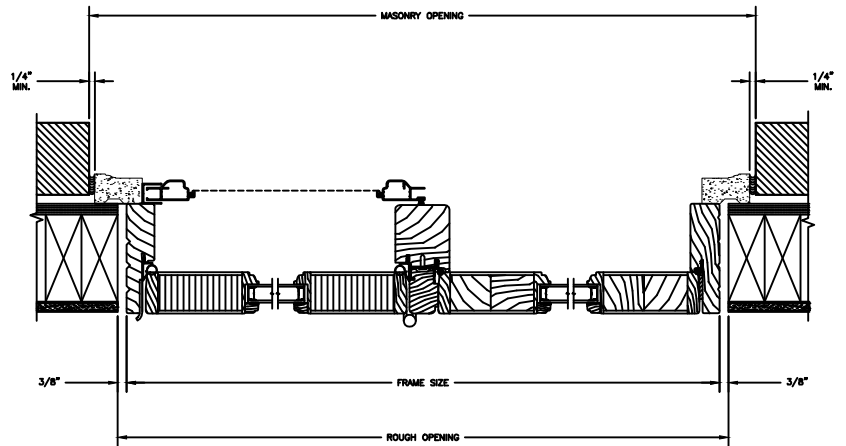
PRIMED PATIO DOOR - INSWING

SECTION DETAILS : CONSTRUCTION

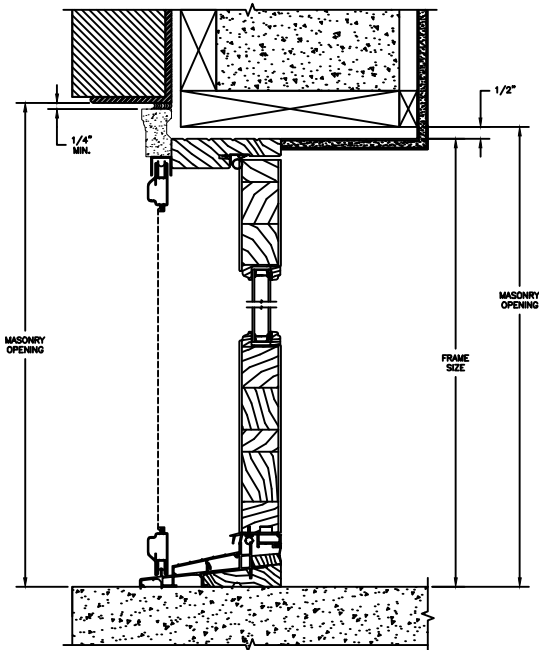
SCALE: 1 1/2" = 1'-0"



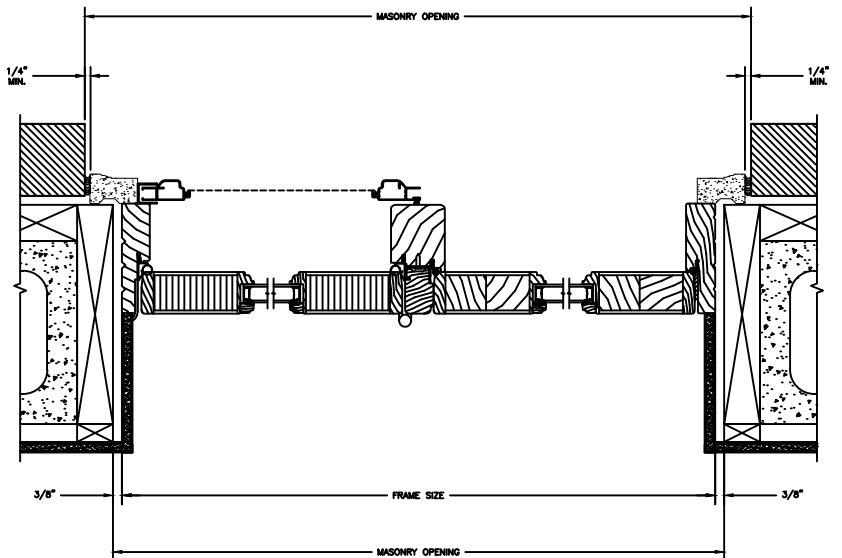
HEAD JAMB & SILL
2 X 4 FRAME WITH BRICK VENEER



JAMBS
2 X 4 FRAME WITH BRICK VENEER



HEAD JAMB & SILL
8" CONCRETE BLOCK WALL
WITH BRICK VENEER

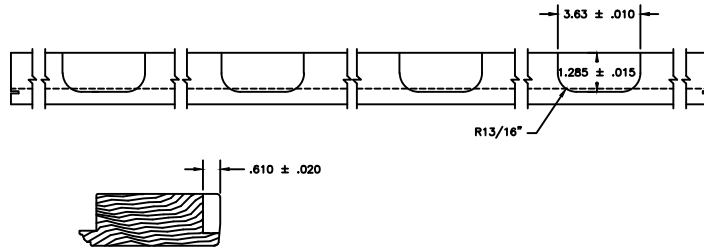


JAMBS
8" CONCRETE BLOCK WALL
WITH BRICK VENEER

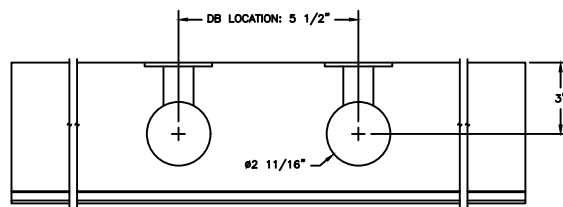
Pinnacle Series

PRIMED PATIO DOOR - INSWING/OUTSWING

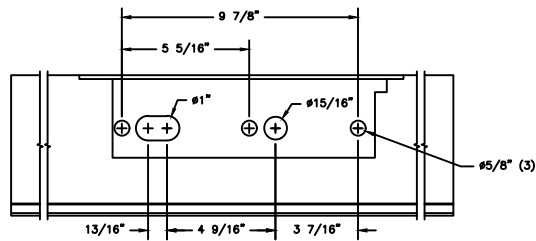
HARDWARE MACHINING DETAILS



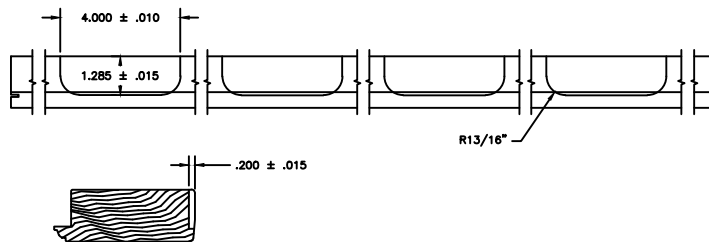
STILE HINGE ROUTE



STILE DOUBLE BORE



STILE MULTIPOINT/SINGLE POINT



BALL BEARING HINGE ROUTES

Pinnacle Series

PRIMED PATIO DOOR - INSWING/OUTSWING

HARDWARE MACHINING DETAILS

