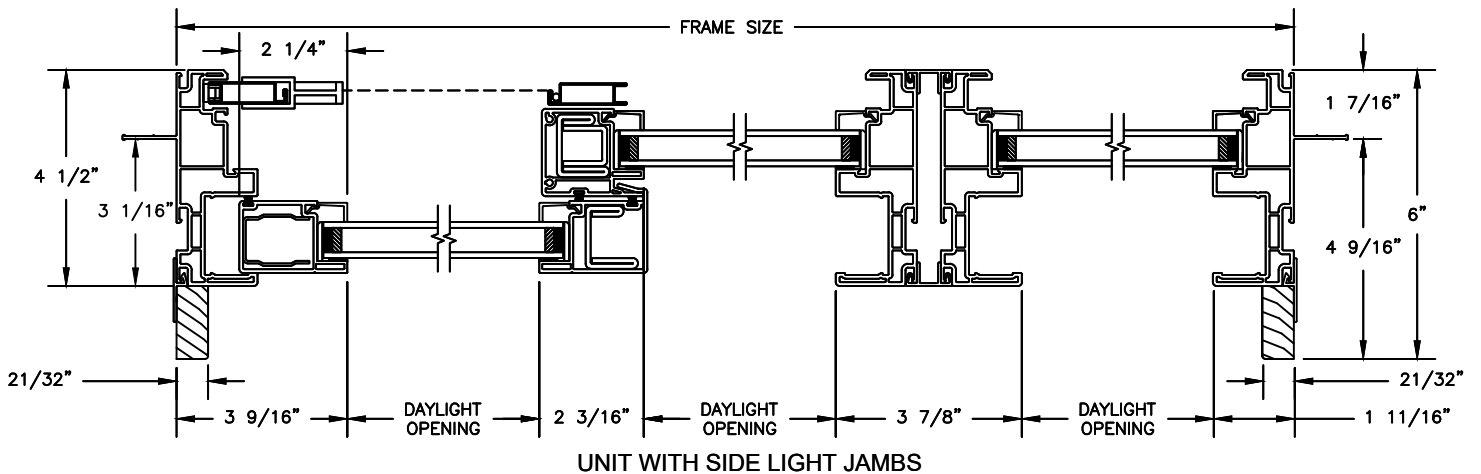
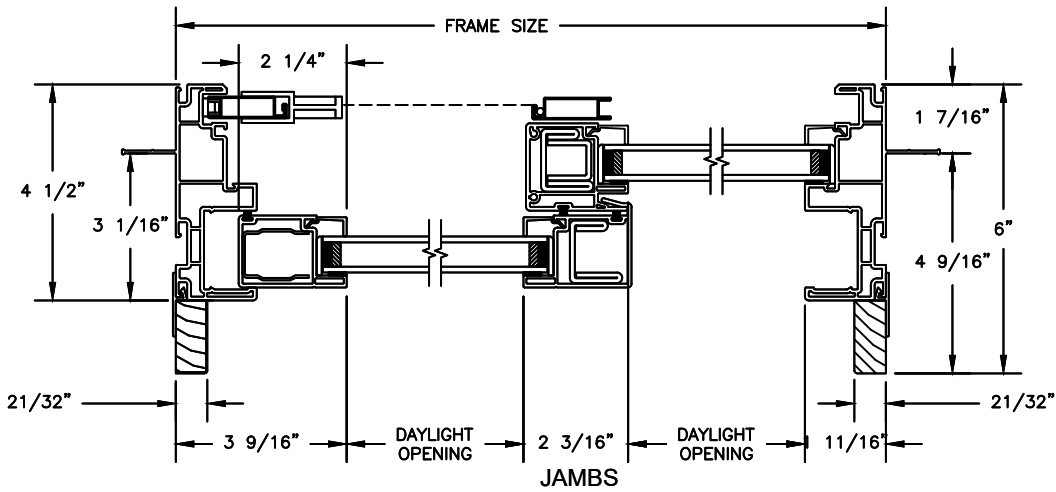
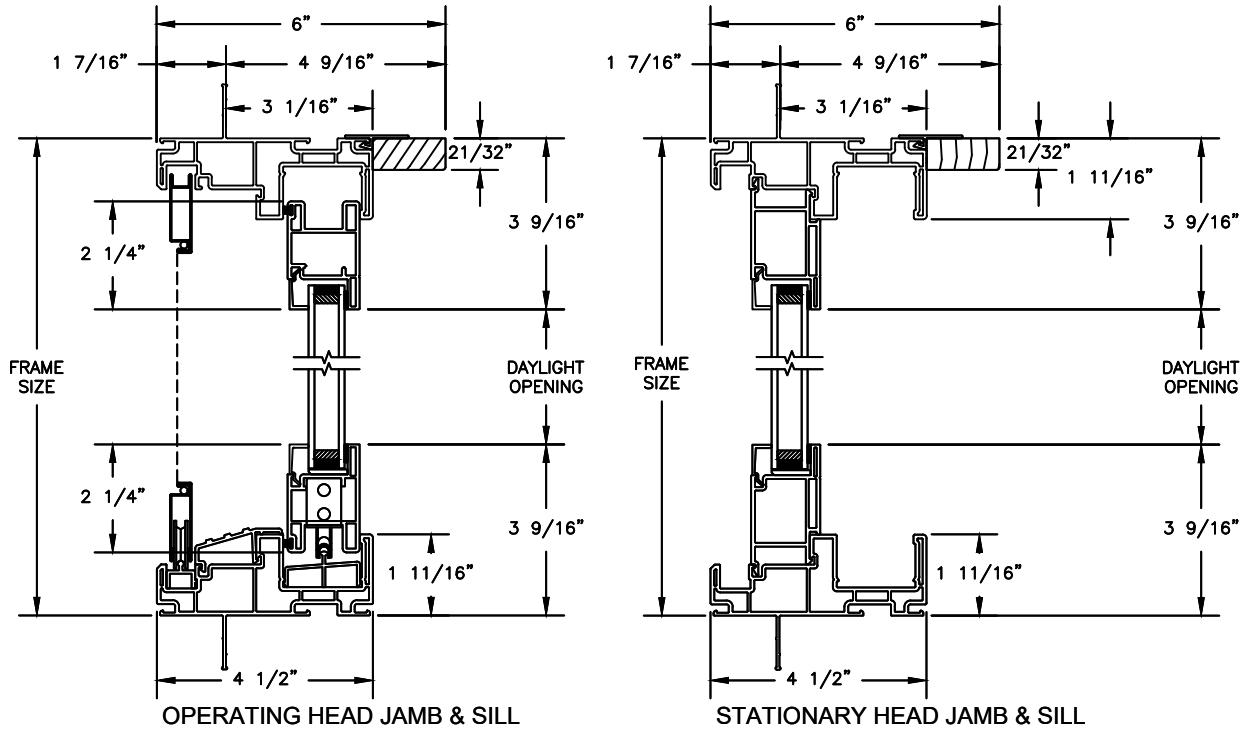


Next Dimension Signature Series

SLIDING PATIO DOOR

SECTION DETAILS

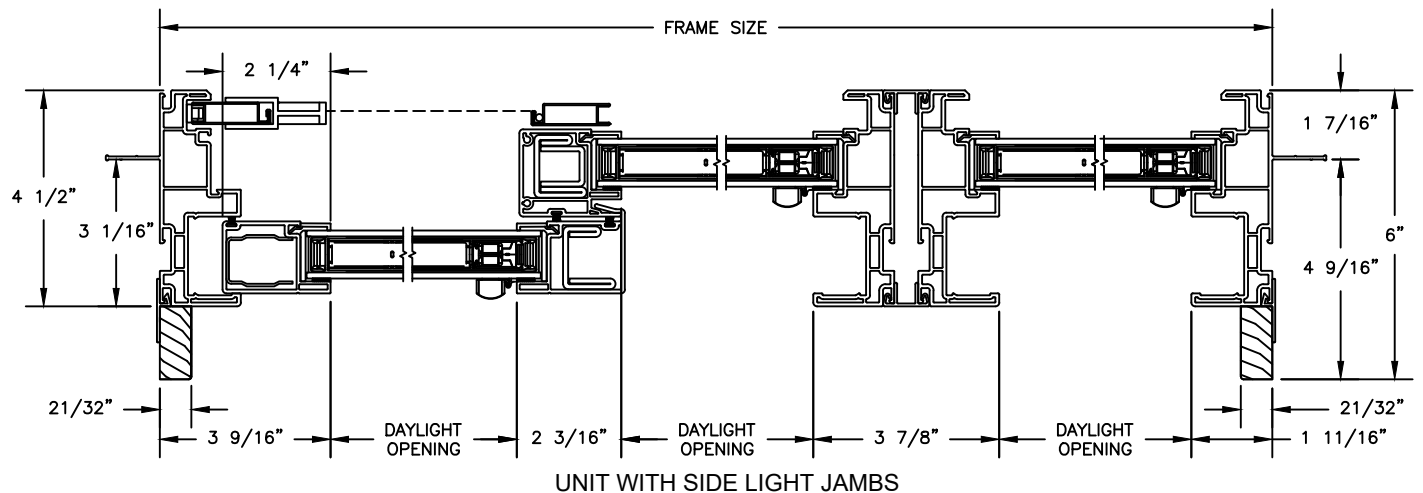
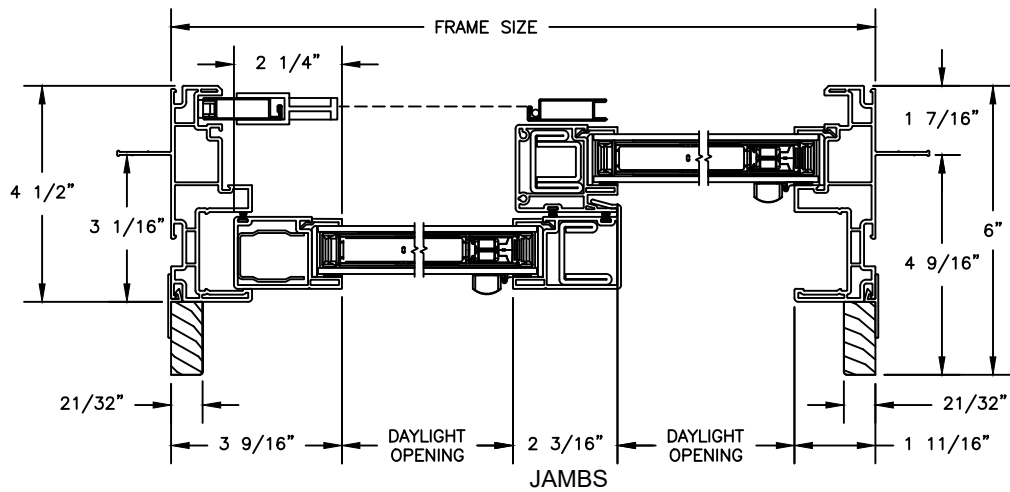
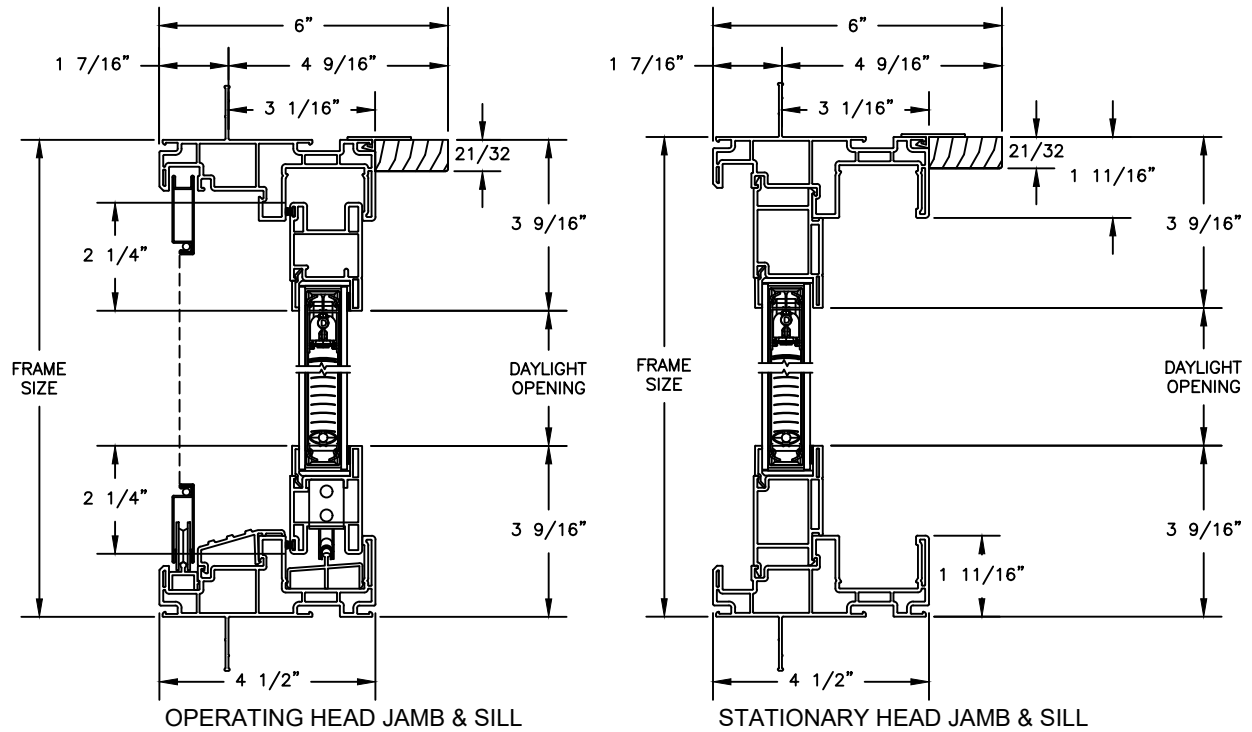
SCALE: 3" = 1'-0"



Next Dimension Signature Series

SLIDING PATIO DOOR

SECTION DETAILS: BLINDS BETWEEN GLASS
 SCALE: 3" = 1'-0"

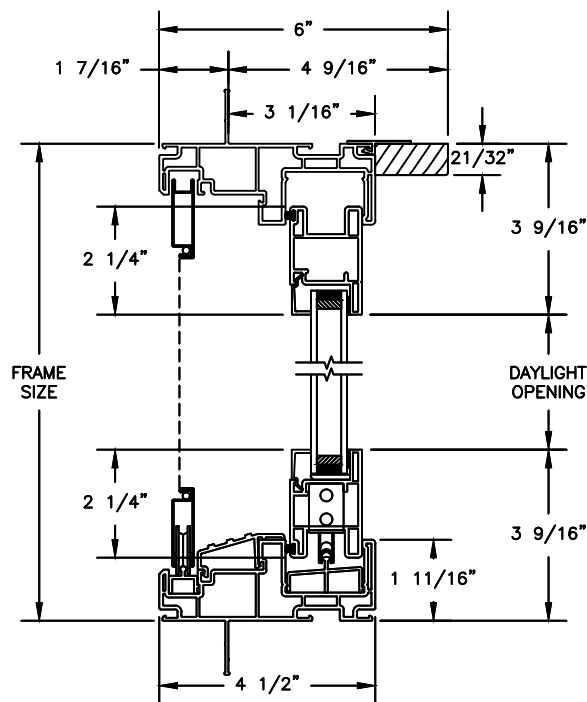


Next Dimension Signature Series

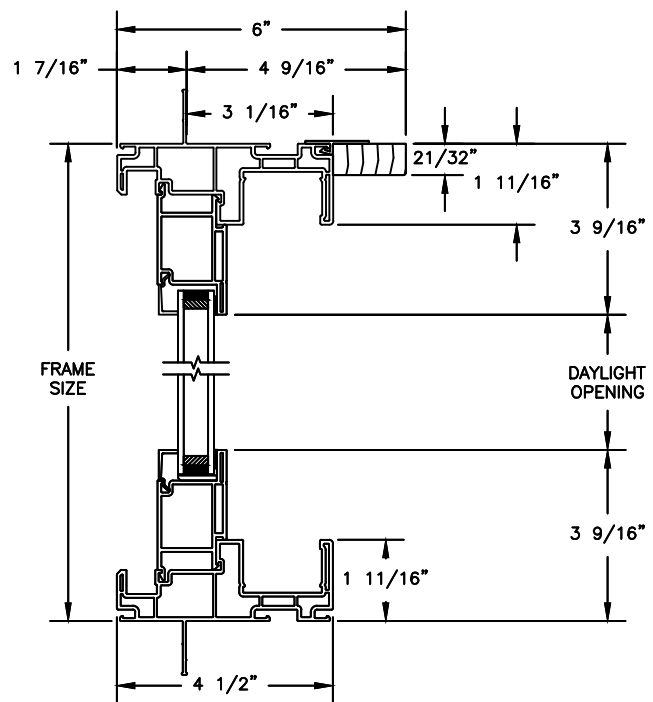
SLIDING PATIO DOOR

SECTION DETAILS

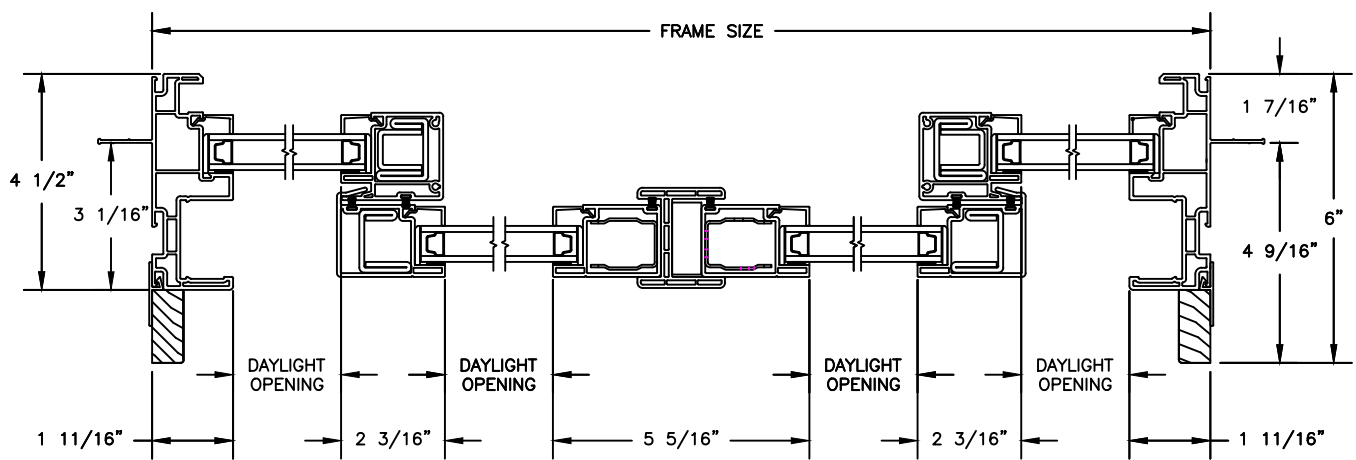
SCALE: 3" = 1'-0"



OPERATING HEAD JAMB & SILL



STATIONARY HEAD JAMB & SILL



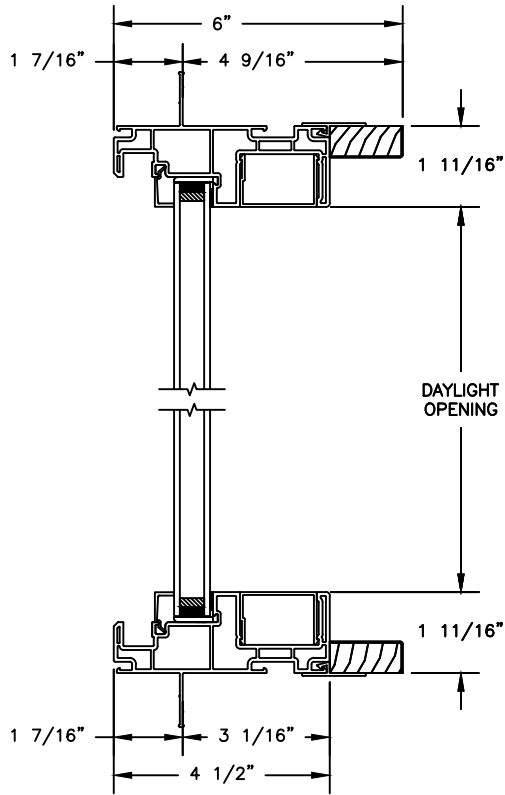
JAMBS

Next Dimension Signature Series

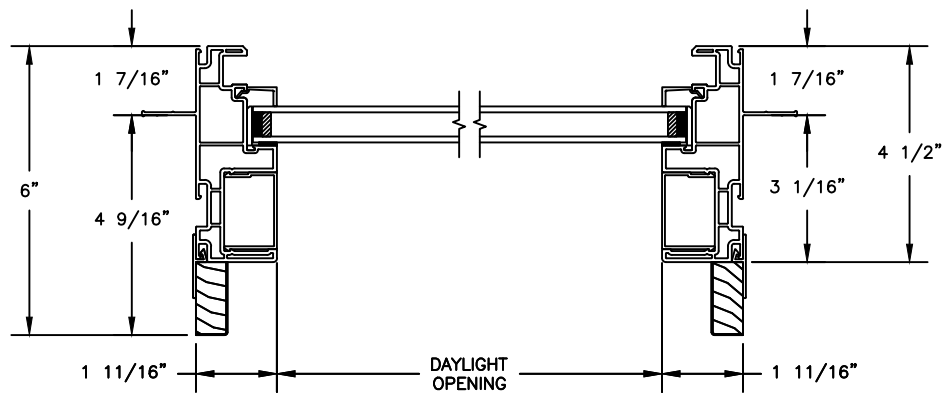
SLIDING PATIO DOOR

SECTION DETAILS: SIDELITE / TRANSOM

SCALE: 3" = 1'-0"



HEAD & SILL



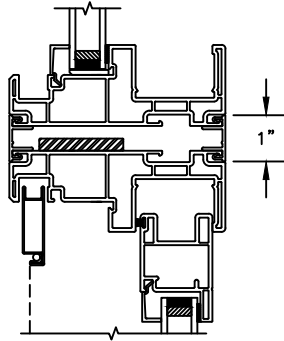
JAMBS

Next Dimension Signature Series

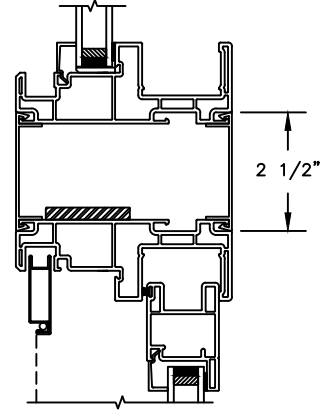
SLIDING PATIO DOOR

SECTION DETAILS: MULLIONS

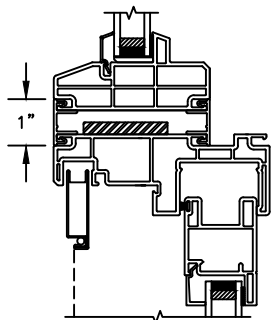
SCALE: 3" = 1'-0"



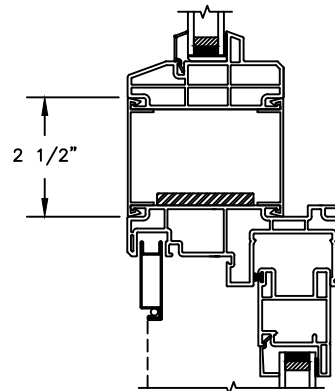
HORIZONTAL MULLION
TRANSOM/OPERATOR



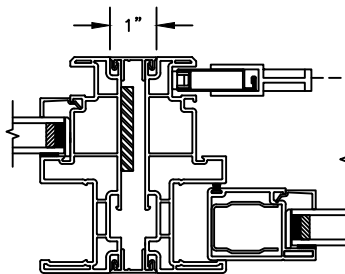
HORIZONTAL 2" MULLION
TRANSOM/OPERATOR



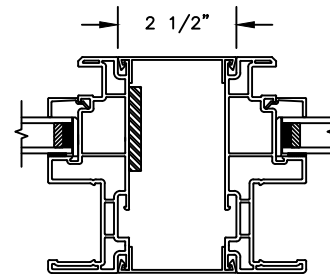
HORIZONTAL MULLION
RADIUS/OPERATOR



HORIZONTAL 2" MULLION
RADIUS/OPERATOR



VERTICAL MULLION
SIDELIGHT/OPERATOR



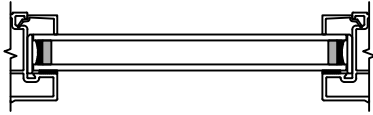
VERTICAL 2" MULLION
STATIONARY/SIDELIGHT

Next Dimension Signature Series

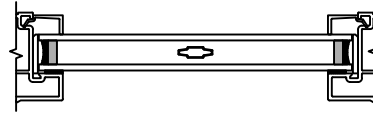
SLIDING PATIO DOOR

SECTION DETAILS : DIVIDED LITE OPTIONS

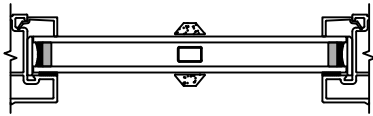
SCALE: 3" = 1'-0"



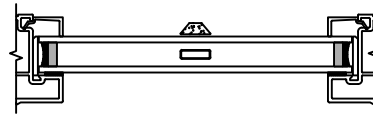
INSULATING GLASS



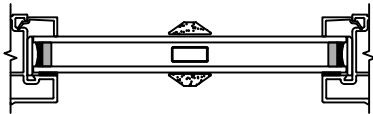
3/4" PROFILED INNERGRILLE



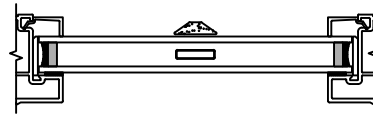
5/8" PUTTY WDL
WITH INNERBAR



5/8" PUTTY WDL (EXTERIOR ONLY)
WITH 5/8" FLAT INNERGRILLE



7/8" PUTTY WDL
WITH INNERBAR



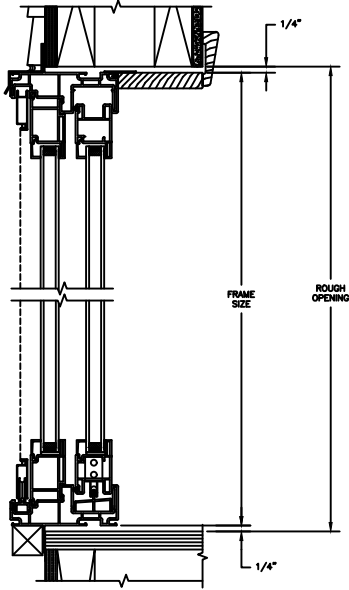
7/8" PUTTY WDL (EXTERIOR ONLY)
WITH 13/16" FLAT INNERGRILLE

Next Dimension Signature Series

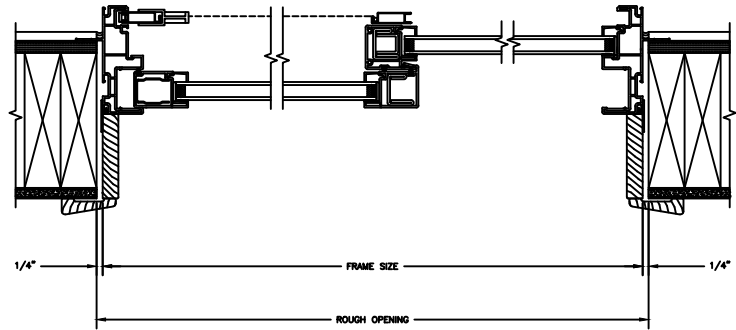
SLIDING PATIO DOOR

SECTION DETAILS : CONSTRUCTION

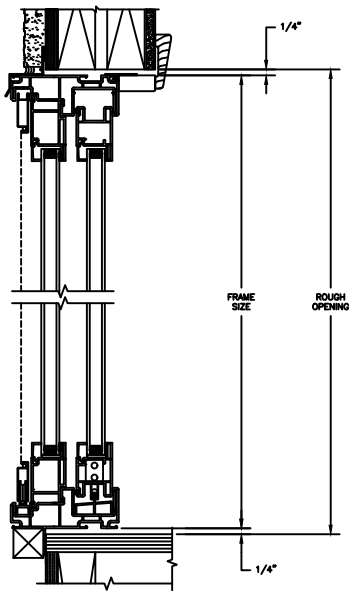
SCALE: 1 1/2" = 1'-0"



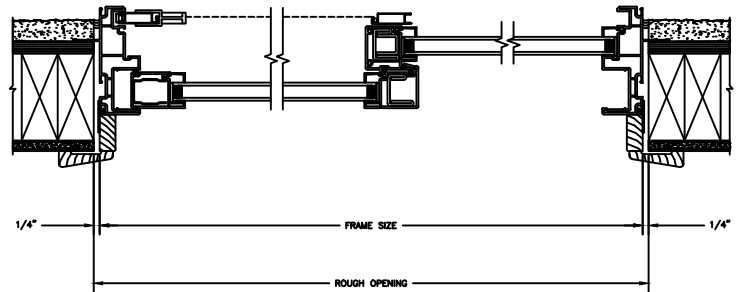
HEAD JAMB & SILL
2 X 6 FRAME WITH SIDING



JAMBS
2 X 6 FRAME WITH SIDING



HEAD JAMB & SILL
2 X 4 FRAME WITH STUCCO



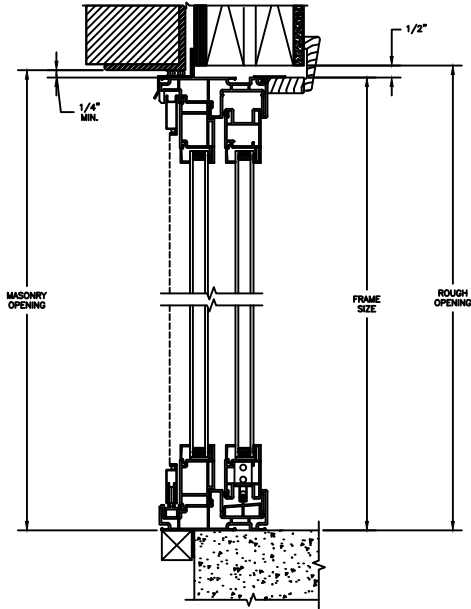
JAMBS
2 X 4 FRAME WITH STUCCO

Next Dimension Signature Series

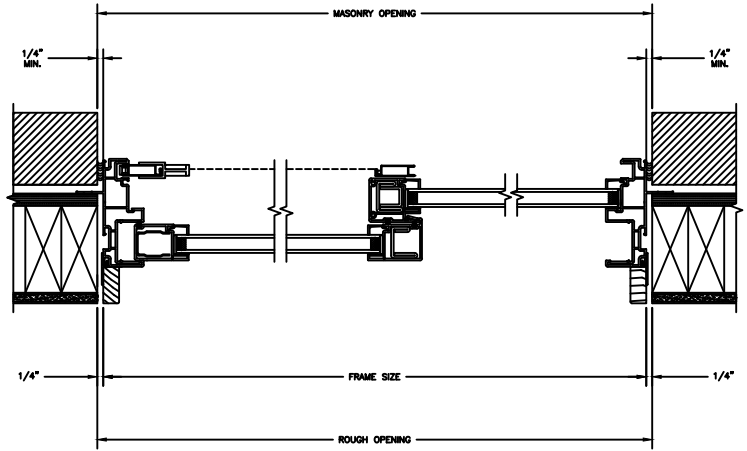
SLIDING PATIO DOOR

SECTION DETAILS : CONSTRUCTION

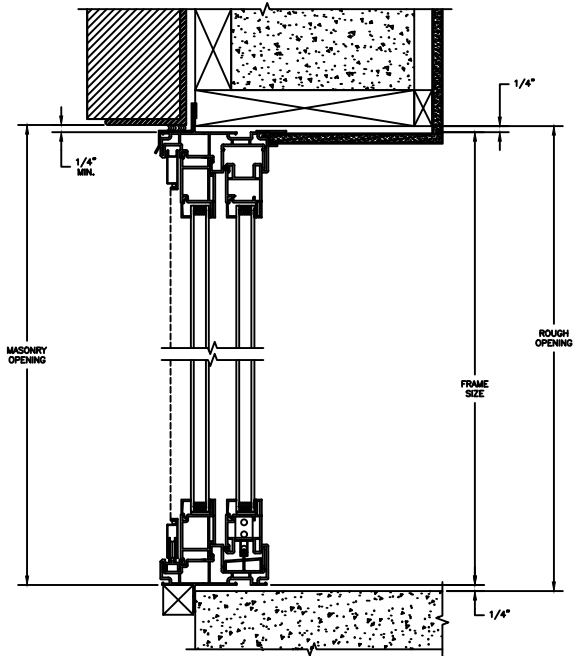
SCALE: 1 1/2" = 1'-0"



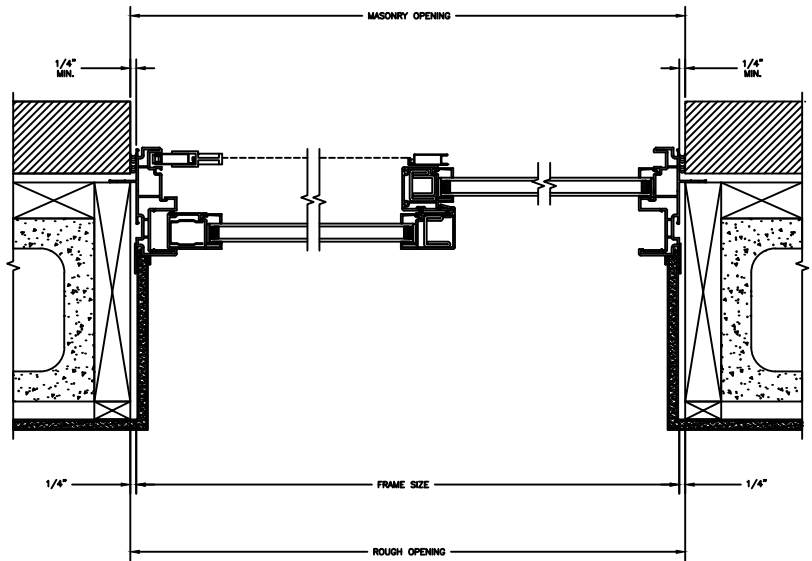
HEAD JAMB & SILL
2 X 6 FRAME WITH BRICK VENEER



JAMBS
2 X 6 FRAME WITH BRICK VENEER



HEAD JAMB & SILL
8" CONCRETE BLOCK WALL
WITH BRICK VENEER



JAMBS
8" CONCRETE BLOCK WALL
WITH BRICK VENEER