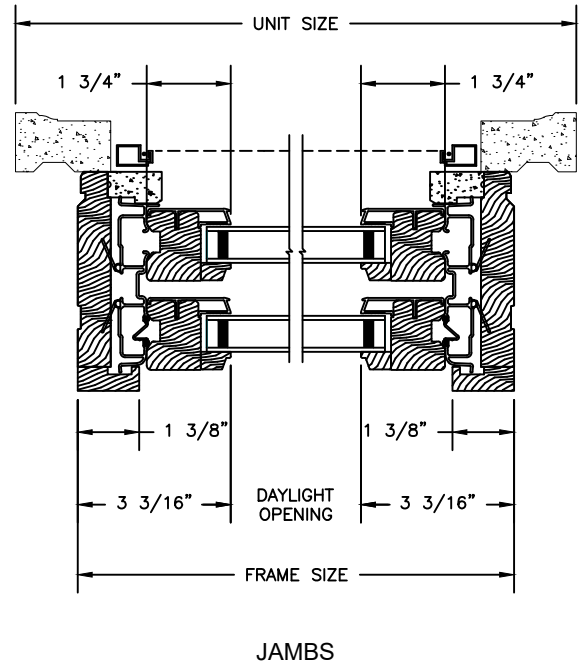
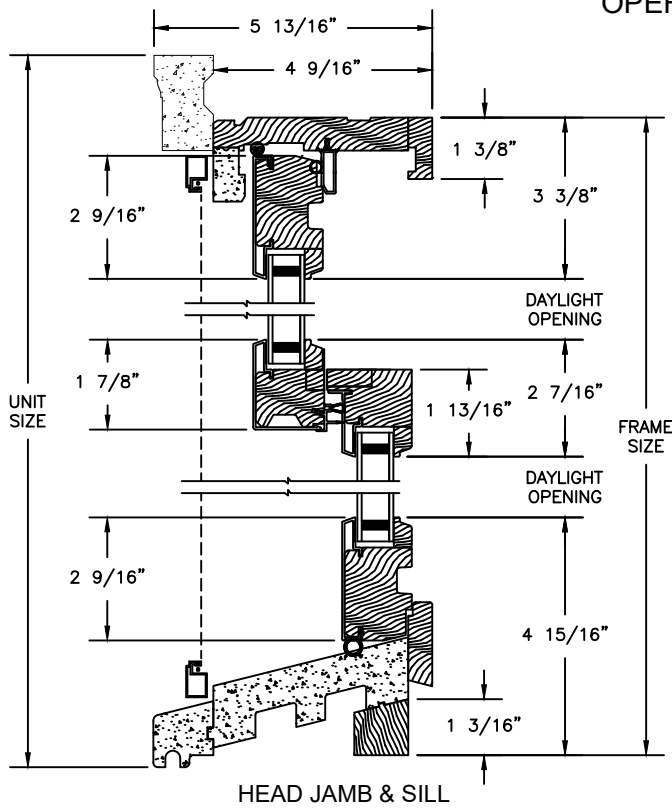


# Legend HBR Series

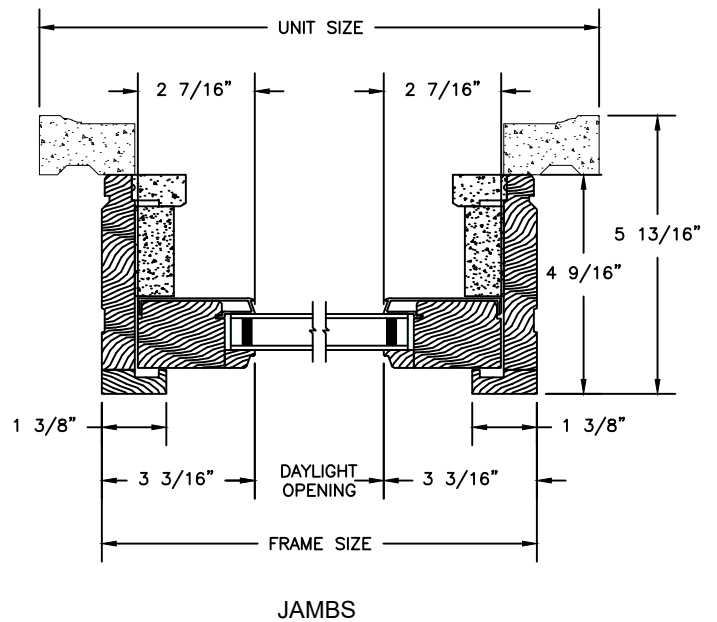
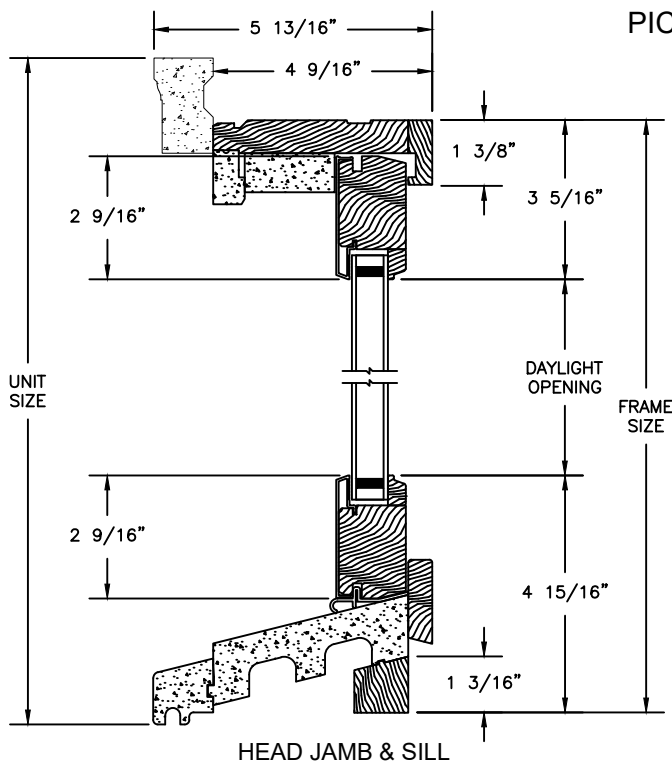
## LEGEND HBR DOUBLE HUNG

SECTION DETAILS  
SCALE: 3" = 1'-0"

OPERATING



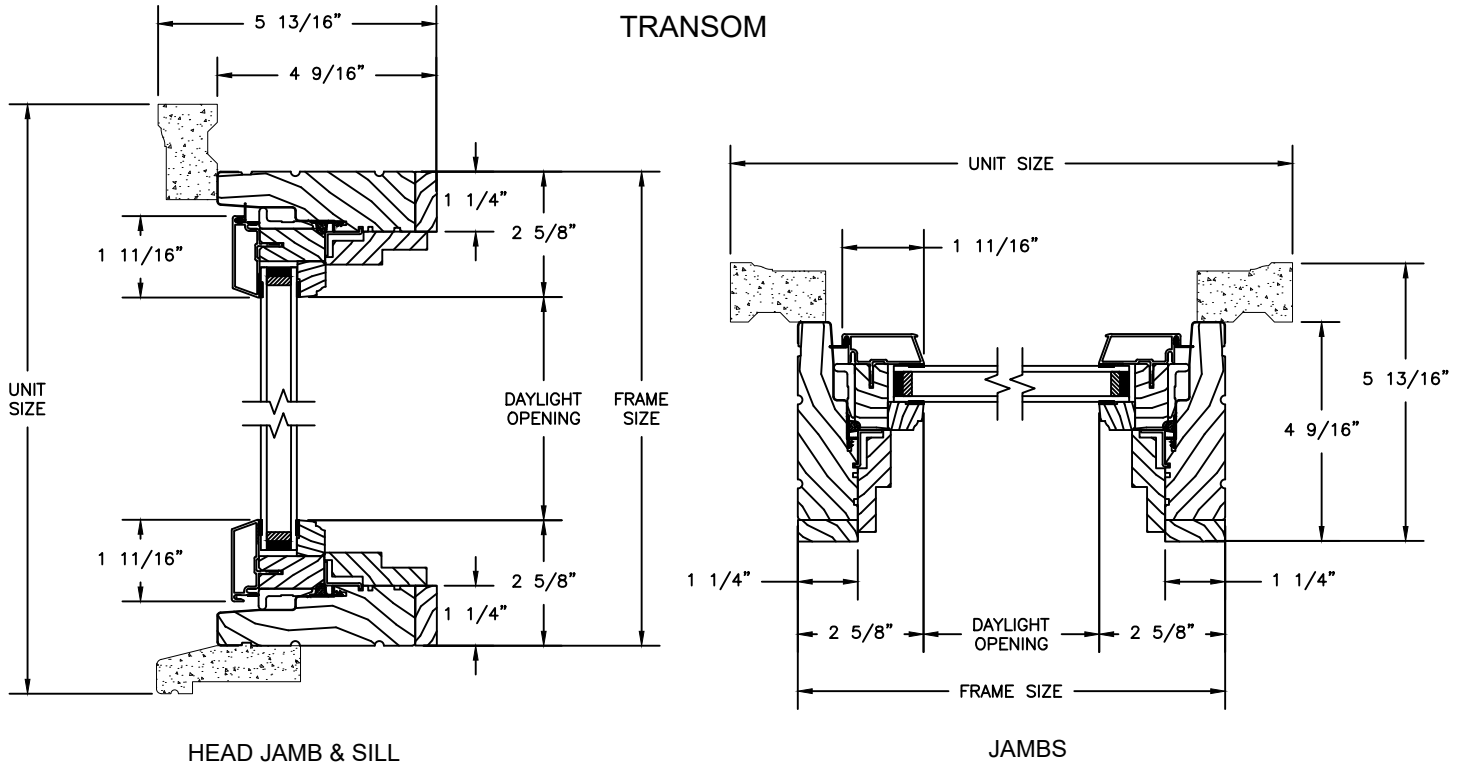
PICTURE



# Legend HBR Series

## LEGEND HBR DOUBLE HUNG

ELEVATIONS : TRANSOM  
 SCALE: 3" = 1'-0"

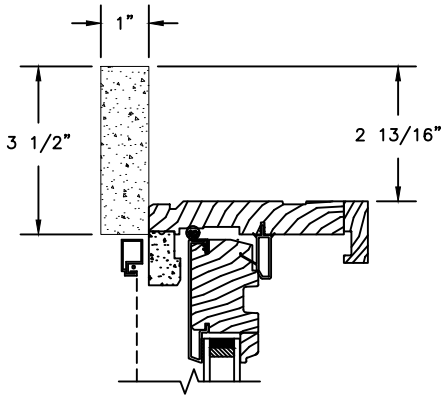


# Legend HBR Series

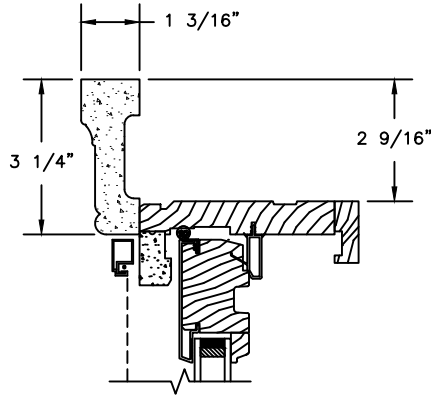
## LEGEND HBR DOUBLE HUNG

SECTION DETAILS: CASINGS OPTIONS

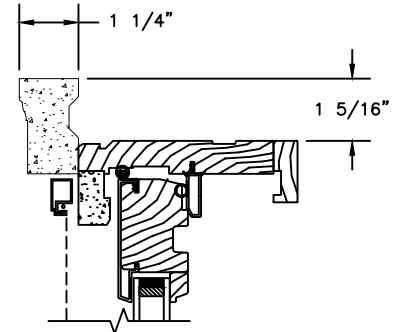
SCALE: 3" = 1'-0"



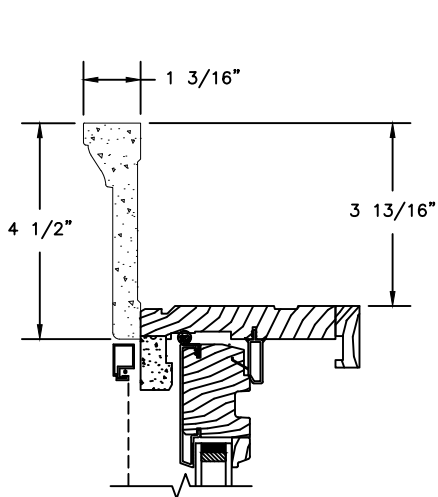
HEAD JAMB WITH  
3 1/2" FLAT CASING



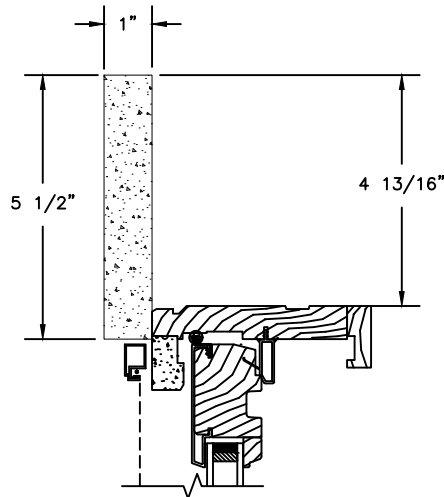
HEAD JAMB WITH  
WILLIAMSBURG BRICKMOULD



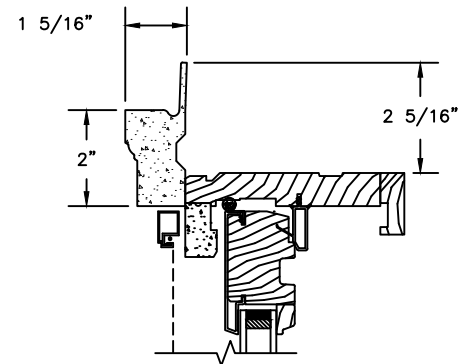
HEAD JAMB WITH  
WM180 BRICKMOULD



HEAD JAMB WITH  
4 1/2" BACKBAND



HEAD JAMB WITH  
5 1/2" FLAT CASING



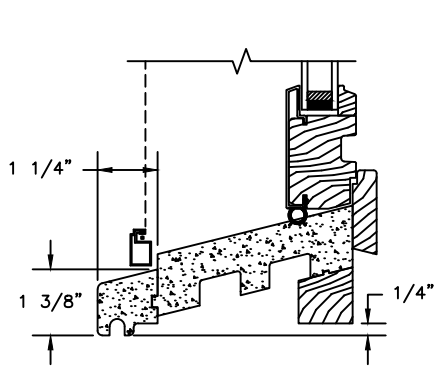
HEAD JAMB WITH  
180 FLANGED BRICKMOULD

# Legend HBR Series

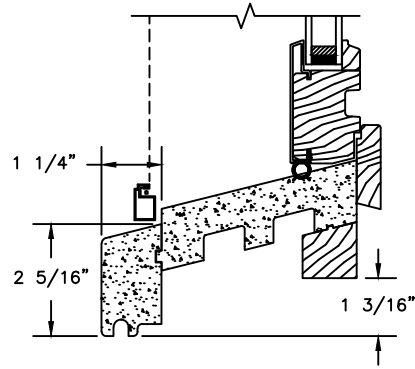
## LEGEND HBR DOUBLE HUNG

SECTION DETAILS: CASINGS OPTIONS

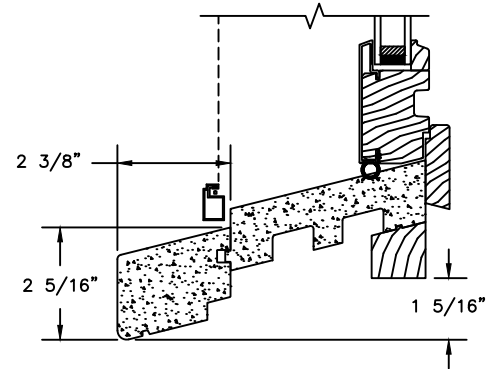
SCALE: 3" = 1'-0"



STANDARD SILLNOSE



BULLNOSE SILLNOSE



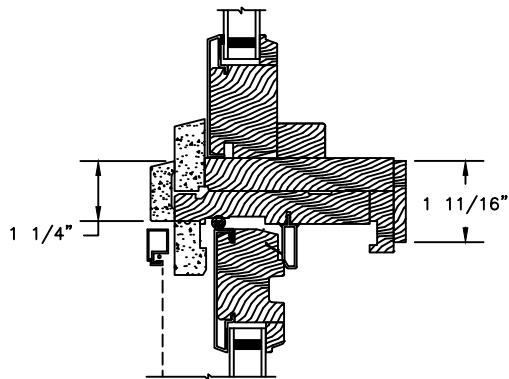
BELLY SILLNOSE

# Legend HBR Series

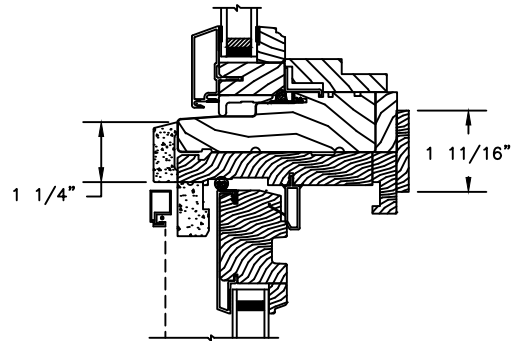
## LEGEND HBR DOUBLE HUNG

SECTION DETAILS

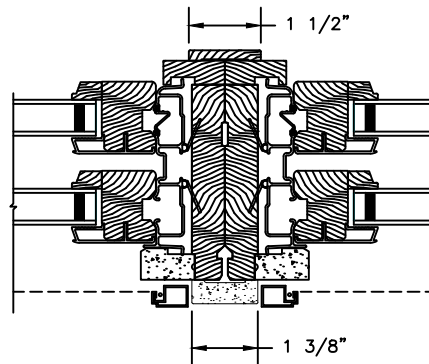
SCALE: 3" = 1'-0"



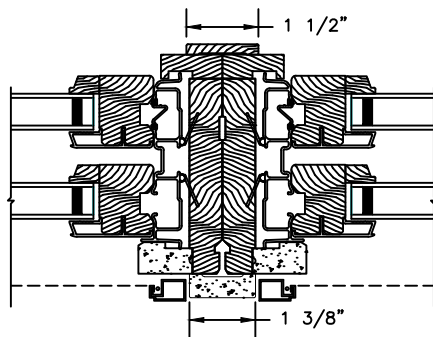
HORIZONTAL MULLION  
RADIUS INSASH/OPERATOR



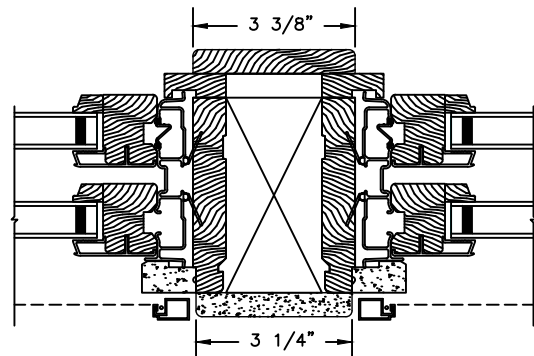
HORIZONTAL MULLION  
TRANSOM/OPERATOR



VERTICAL MULLION  
OPERATOR/OPERATOR



VERTICAL MULLION  
OPERATOR/OPERATOR






VERTICAL MULLION WITH  
2" SPREAD MULL  
ADDITIONAL WIDTHS INCLUDE:  
1" - 5"

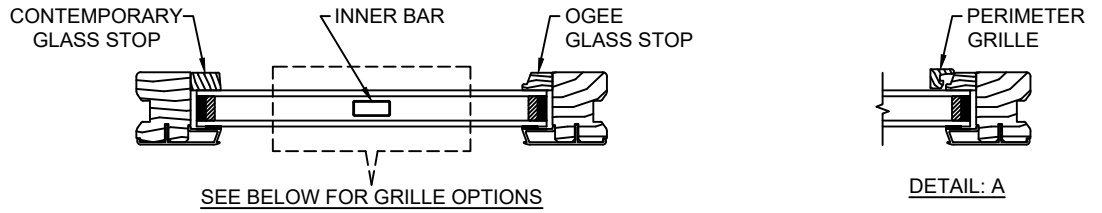
# Legend HBR Series

## LEGEND HBR DOUBLE HUNG

SECTION DETAILS : GLASS STOP & DIVIDED LITE OPTIONS  
 SCALE: 3" = 1'-0"

**AVAILABLE STYLES**

-  - PUTTY
-  - OGEE
-  - CONTEMPORARY

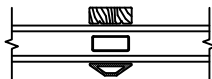
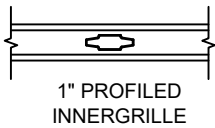
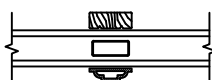
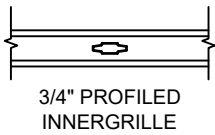
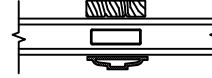
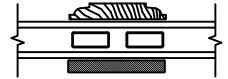
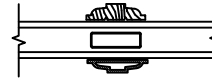
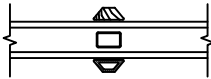


5/8" WDL WITH  
INNER BAR

7/8" WDL WITH  
INNERBAR

1 1/4" WDL WITH  
INNERBAR

2" WDL WITH  
INNERBAR



**NOTE:**

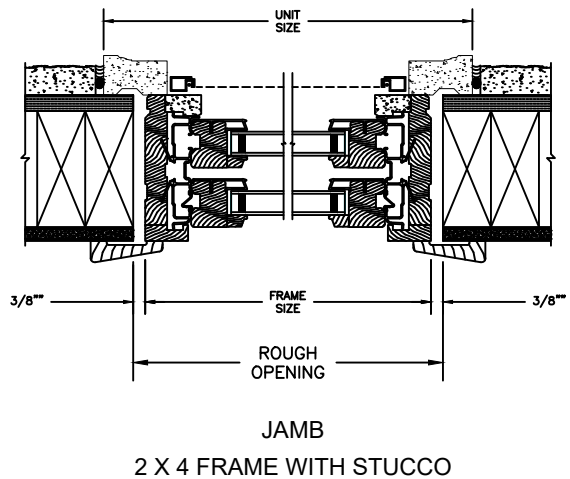
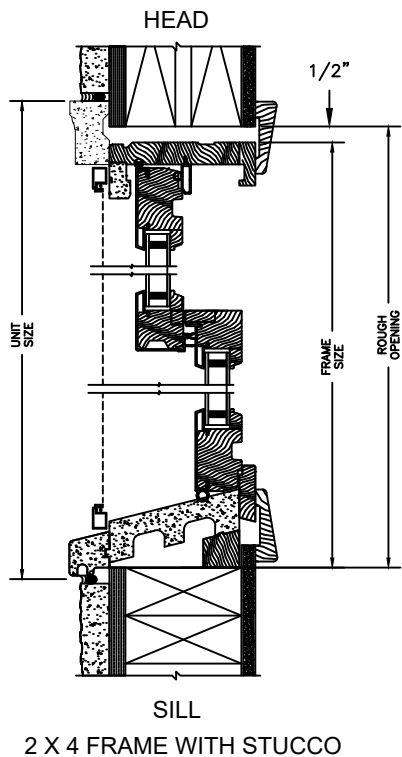
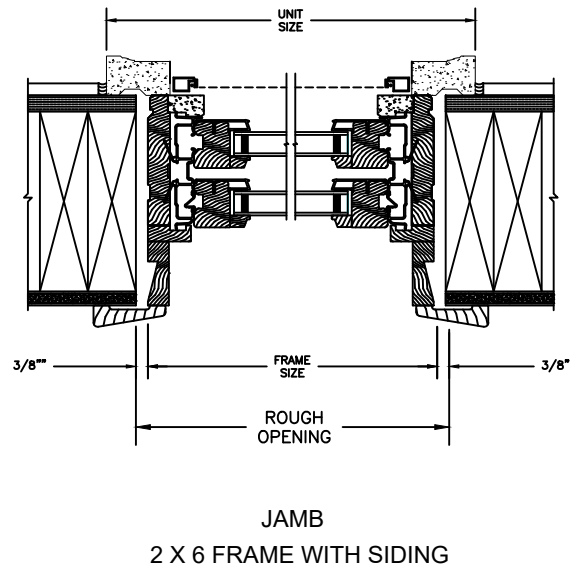
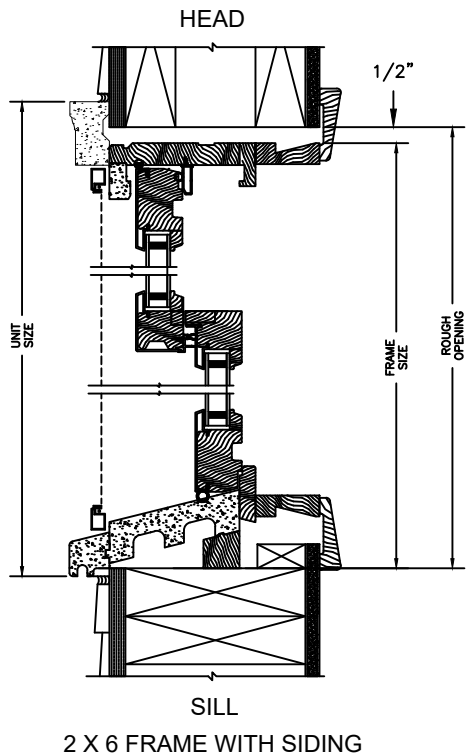
\* ALL WDL OPTIONS CAN BE ORDERED WITH OR WITHOUT INNER BAR

\* PERIMETER GRILLES ONLY AVAILABLE IN THE 7/8" AND 1 1/4" OGEE STYLE GLASS STOP (SEE DETAIL: A)

# Legend HBR Series

## LEGEND HBR DOUBLE HUNG

SECTION DETAILS : CONSTRUCTION  
 SCALE: 2" = 1'-0"



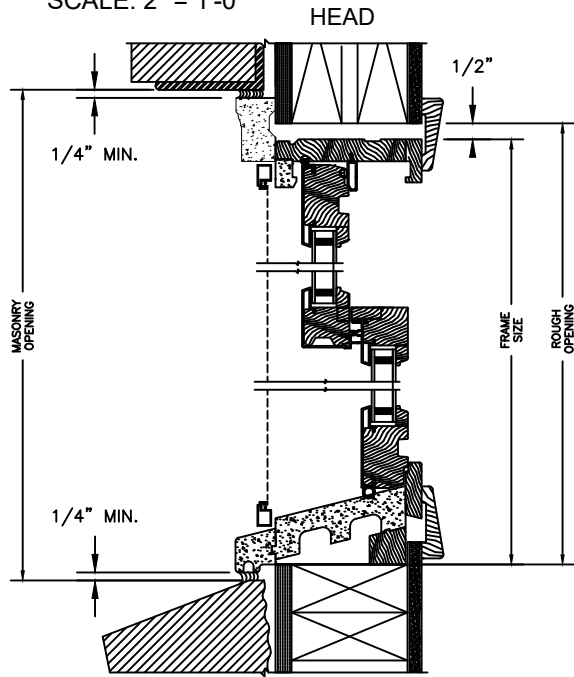
NOTE :  
 THE ABOVE WALL SECTIONS REPRESENT TYPICAL WALL CONDITIONS, THESE DETAILS ARE NOT INTENDED AS INSTALLATION INSTRUCTIONS.  
 PLEASE REFER TO THE INSTALLATION INSTRUCTIONS PROVIDED WITH THE PURCHASED UNITS.

# Legend HBR Series

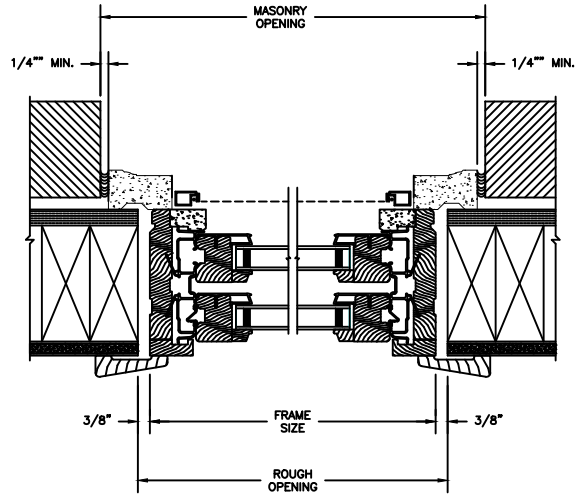
## LEGEND HBR DOUBLE HUNG

SECTION DETAILS : CONSTRUCTION

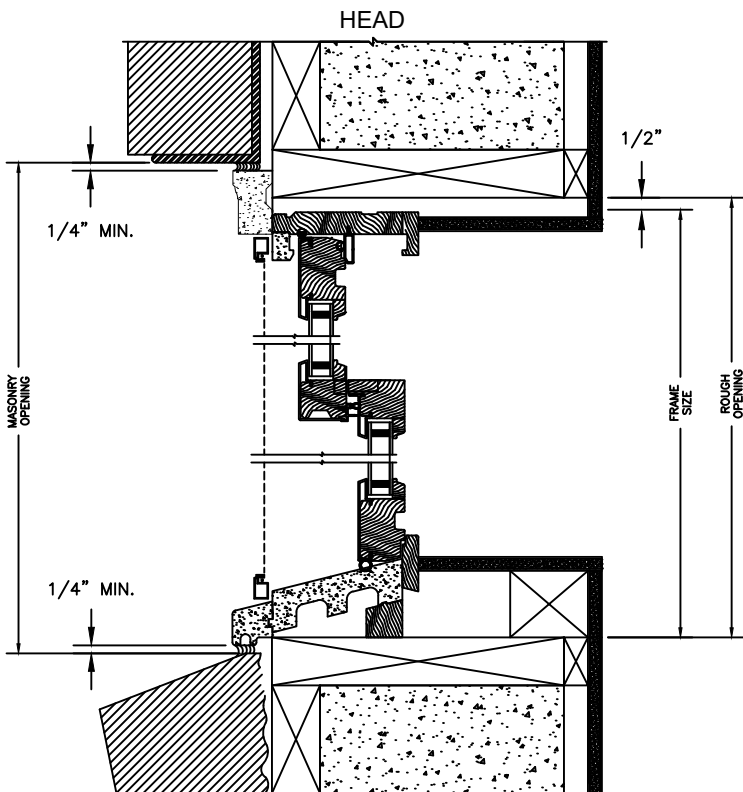
SCALE: 2" = 1'-0"



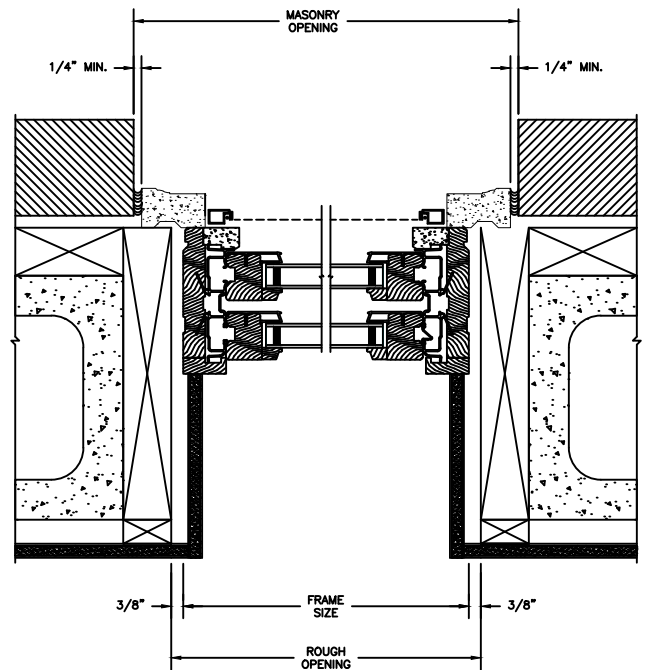
SILL  
2 X 4 FRAME WITH BRICK VENEER



JAMB  
2 X 4 FRAME WITH BRICK VENEER



SILL  
8" CONCRETE BLOCK WALL WITH BRICK VENEER



JAMB  
8" CONCRETE BLOCK WALL WITH BRICK VENEER

NOTE :

THE ABOVE WALL SECTIONS REPRESENT TYPICAL WALL CONDITIONS, THESE DETAILS ARE NOT INTENDED AS INSTALLATION INSTRUCTIONS. PLEASE REFER TO THE INSTALLATION INSTRUCTIONS PROVIDED WITH THE PURCHASED UNITS.



# Legend HBR Series

## LEGEND HBR DOUBLE HUNG

SECTION DETAILS : 30 / 45 DEGREE BAY  
NOT TO SCALE

