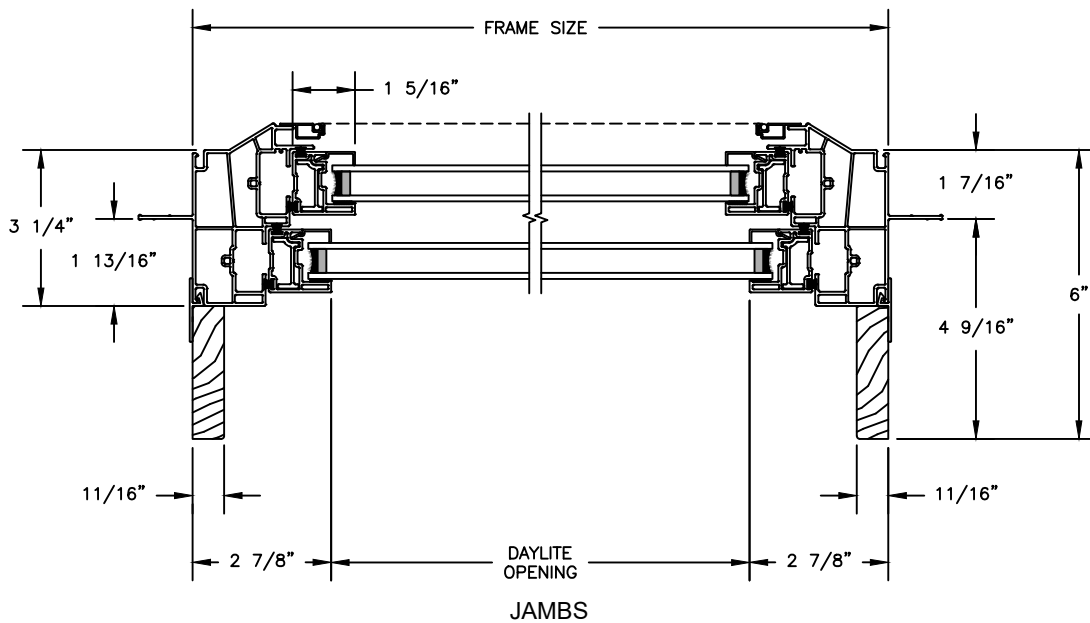
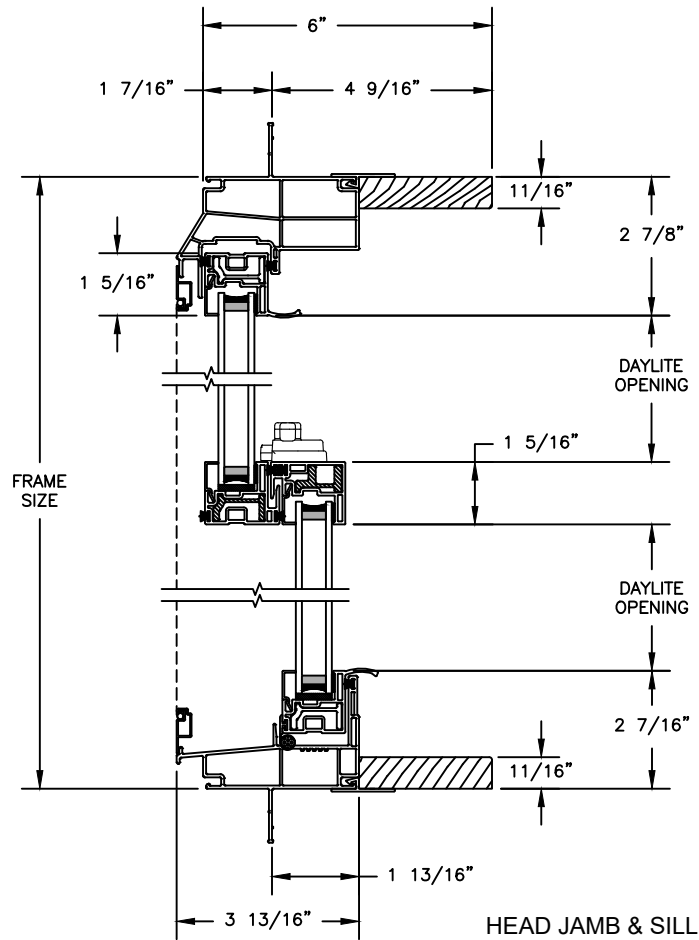


Next Dimension Classic Series

DOUBLE HUNG

SECTION DETAILS: STANDARD FRAME OPERATOR

SCALE: 3" = 1'-0"



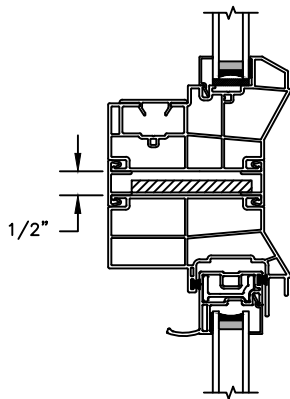
Next Dimension Classic Series

DOUBLE HUNG

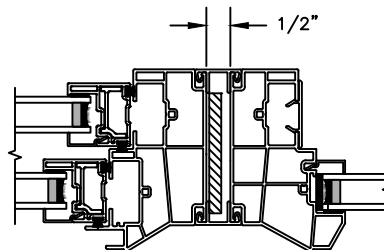
SECTION DETAILS: STANDARD FRAME MULLIONS

SCALE: 3" = 1'-0"

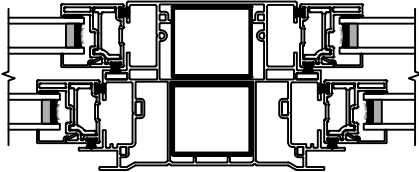
SCALE: 3" = 1'-0"



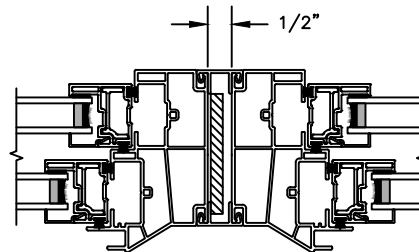
HORIZONTAL 1/2" MULLION
FIXED/OPERATOR



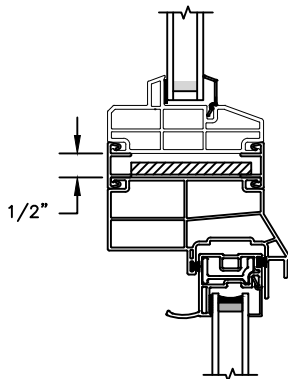
VERTICAL 1/2" MULLION
OPERATOR/FIXED



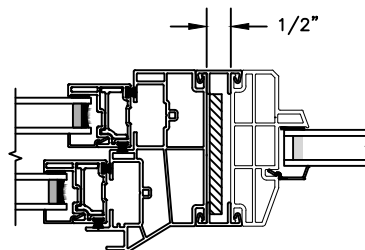
VERTICAL T-BAR
OPERATOR/OPERATOR



VERTICAL 1/2" MULLION
OPERATOR/OPERATOR



HORIZONTAL 1/2" MULLION
RADIUS/OPERATOR



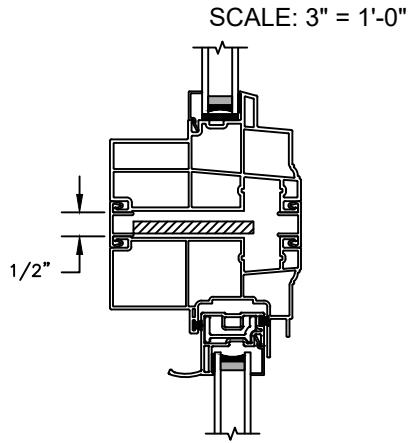
VERTICAL 1/2" MULLION
OPERATOR/RADIUS

Next Dimension Classic Series

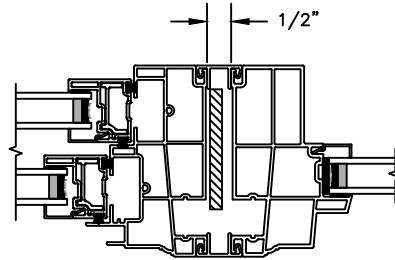
DOUBLE HUNG

SECTION DETAILS: BRICKMOULD FRAME MULLIONS

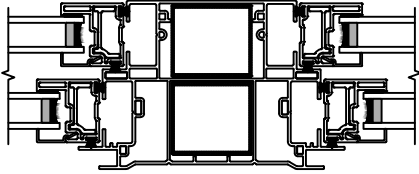
SCALE: 3" = 1'-0"



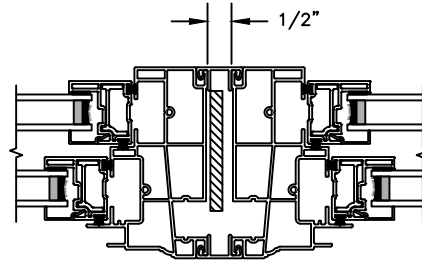
HORIZONTAL 1/2" MULLION
FIXED/OPERATOR



VERTICAL 1/2" MULLION
OPERATOR/FIXED



VERTICAL T-BAR
OPERATOR/OPERATOR



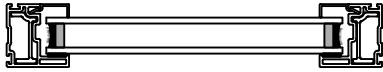
VERTICAL 1/2" MULLION
OPERATOR/OPERATOR

Next Dimension Classic Series

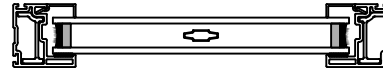
DOUBLE HUNG

SECTION DETAILS : DIVIDED LITE OPTIONS

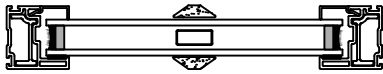
SCALE: 3" = 1'-0"



INSULATING GLASS



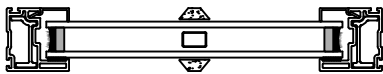
3/4" PROFILED INNERGRILLE



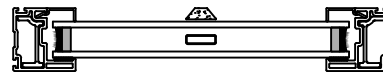
7/8" PUTTY WDL
WITH INNERBAR



7/8" PUTTY WDL (EXTERIOR ONLY)
WITH 13/16" FLAT INNERGRILLE



5/8" PUTTY WDL
WITH INNERBAR



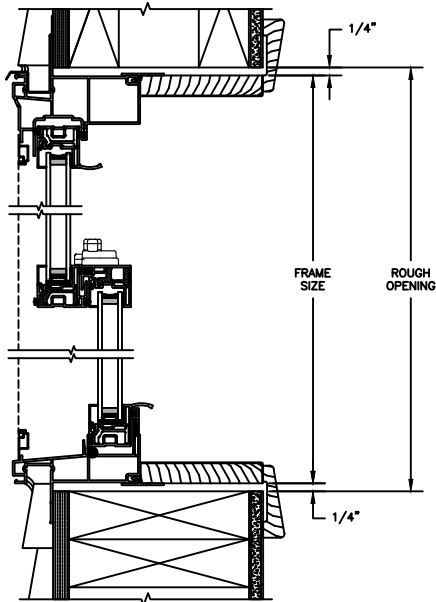
5/8" PUTTY WDL (EXTERIOR ONLY)
WITH 5/8" FLAT INNERGRILLE

Next Dimension Classic Series

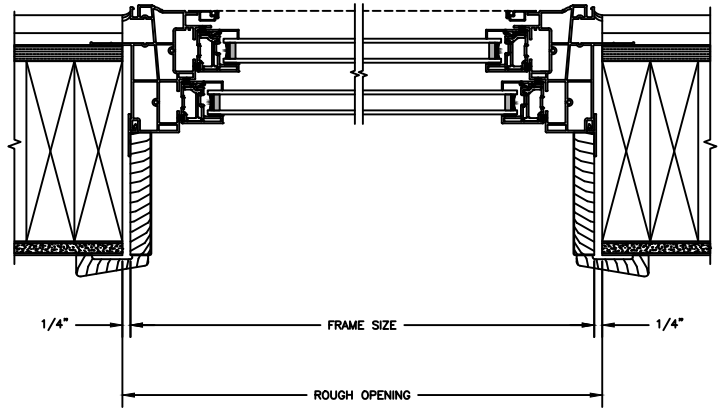
DOUBLE HUNG

SECTION DETAILS : BRICKMOUND FRAME CONSTRUCTION

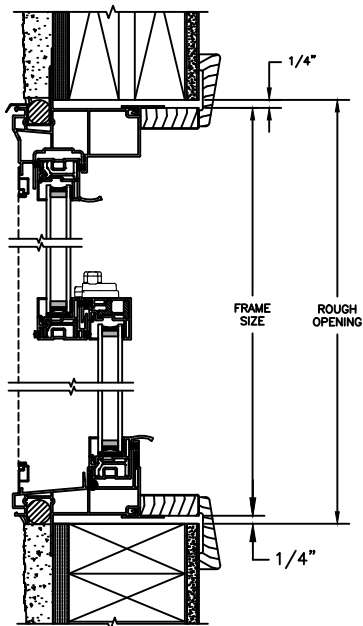
SCALE: 2" = 1'-0"



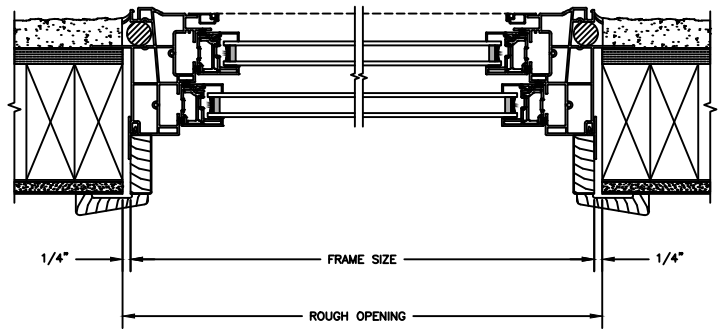
HEAD JAMB & SILL
2 X 6 FRAME WITH SIDING



JAMBS
2 X 6 FRAME WITH SIDING



HEAD JAMB & SILL
2 X 4 FRAME WITH STUCCO



JAMBS
2 X 4 FRAME WITH STUCCO

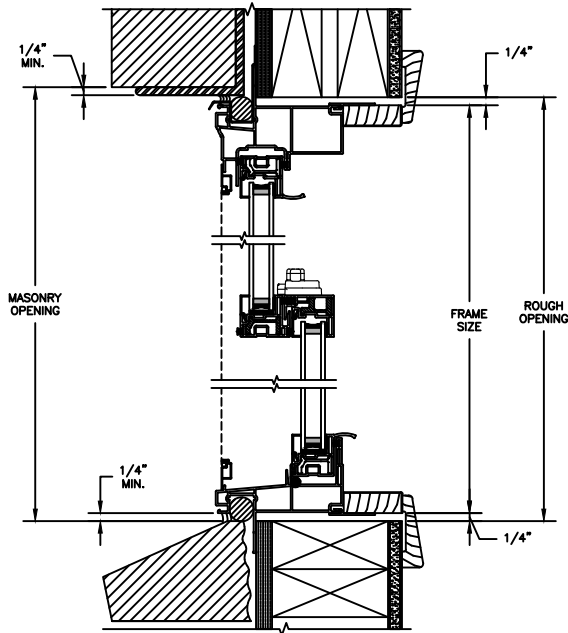
NOTE :
THE ABOVE WALL SECTIONS REPRESENT TYPICAL WALL CONDITIONS, THESE DETAILS ARE NOT INTENDED AS INSTALLATIONS INSTRUCTIONS. PLEASE REFER TO THE INSTALLATION INSTRUCTIONS PROVIDED WITH THE PURCHASED UNITS.

Next Dimension Classic Series

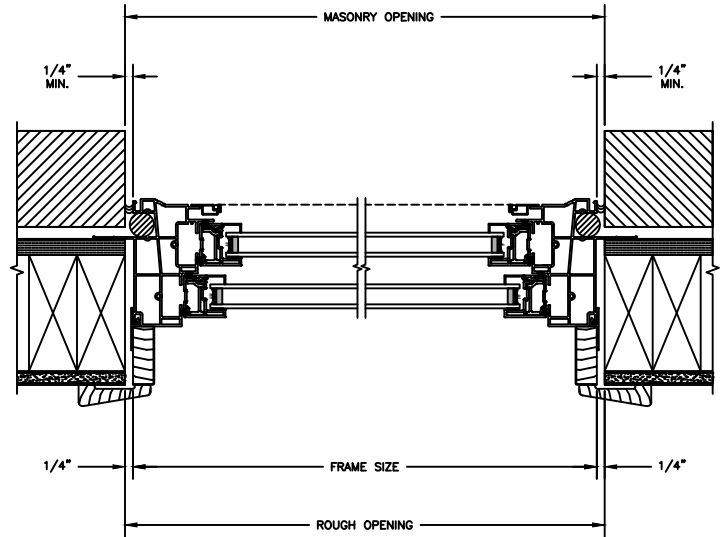
DOUBLE HUNG

SECTION DETAILS : BRICKMOULD FRAME CONSTRUCTION

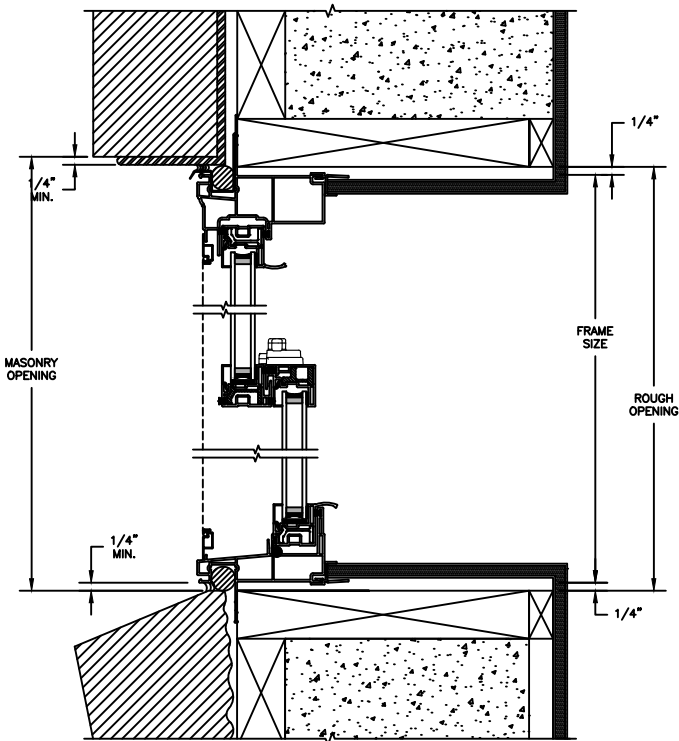
SCALE: 2" = 1'-0"



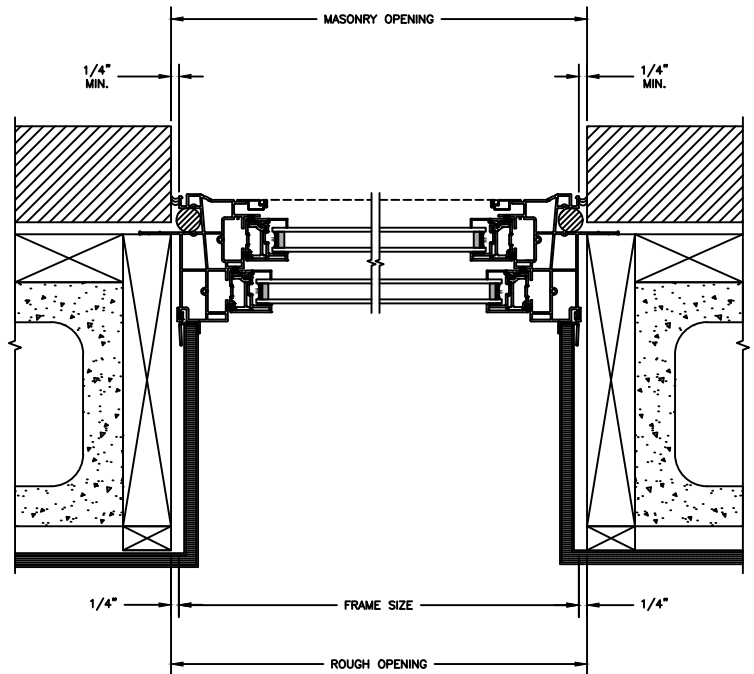
HEAD JAMB & SILL
2 X 4 FRAME WITH BRICK VENEER



JAMBS
2 X 4 FRAME WITH BRICK VENEER



HEAD JAMB & SILL
8\"/>



JAMBS
8\"/>

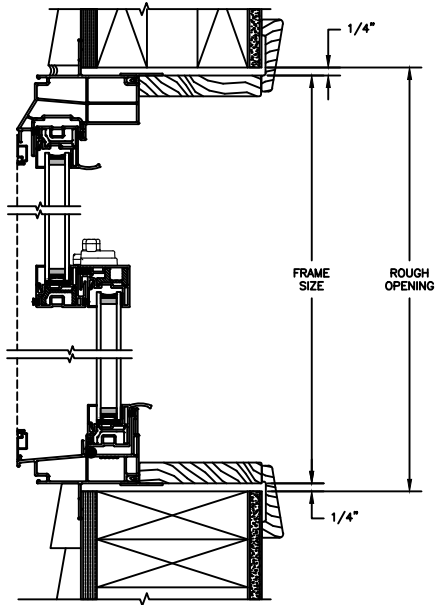
NOTE:
THE ABOVE WALL SECTIONS REPRESENT TYPICAL WALL CONDITIONS, THESE DETAILS ARE NOT INTENDED AS INSTALLATIONS INSTRUCTIONS. PLEASE REFER TO THE INSTALLATION INSTRUCTIONS PROVIDED WITH THE PURCHASED UNITS.

Next Dimension Classic Series

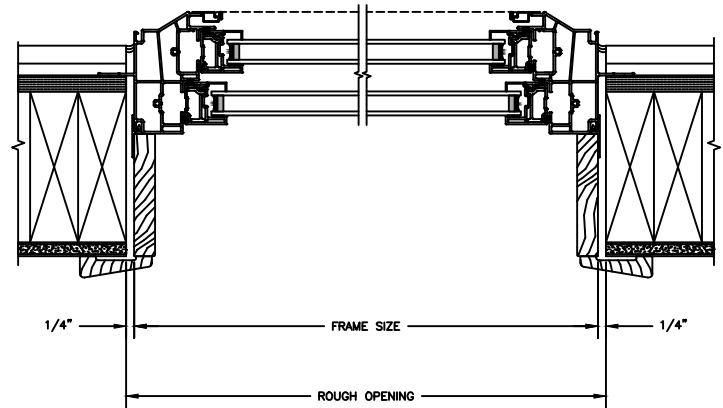
DOUBLE HUNG

SECTION DETAILS : STANDARD FRAME CONSTRUCTION

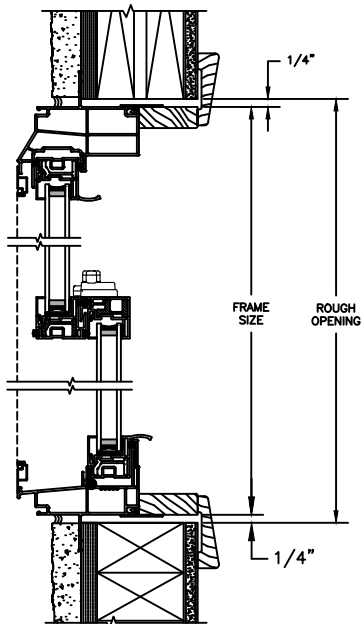
SCALE: 2" = 1'-0"



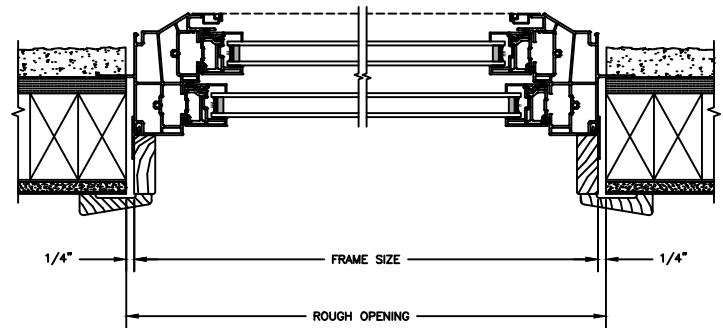
HEAD JAMB & SILL
2 X 6 FRAME WITH SIDING



JAMBS
2 X 6 FRAME WITH SIDING



HEAD JAMB & SILL
2 X 4 FRAME WITH STUCCO



JAMBS
2 X 4 FRAME WITH STUCCO

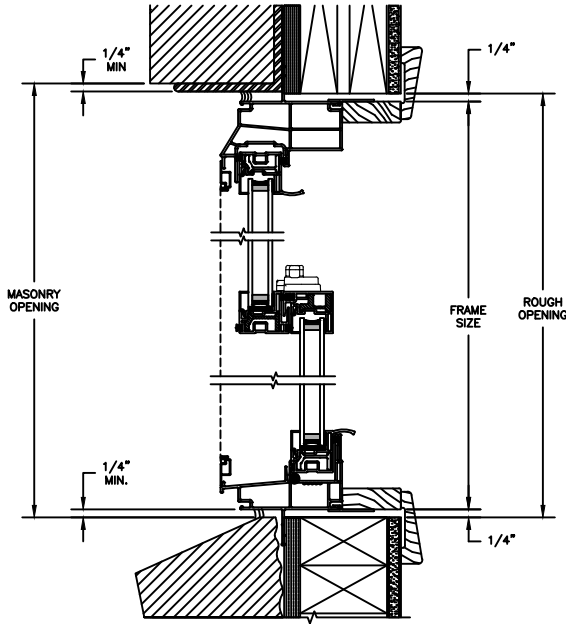
NOTE:
THE ABOVE WALL SECTIONS REPRESENT TYPICAL WALL CONDITIONS, THESE DETAILS ARE NOT INTENDED AS INSTALLATION INSTRUCTIONS. PLEASE REFER TO THE INSTALLATION INSTRUCTIONS PROVIDED WITH THE PURCHASED UNITS.

Next Dimension Classic Series

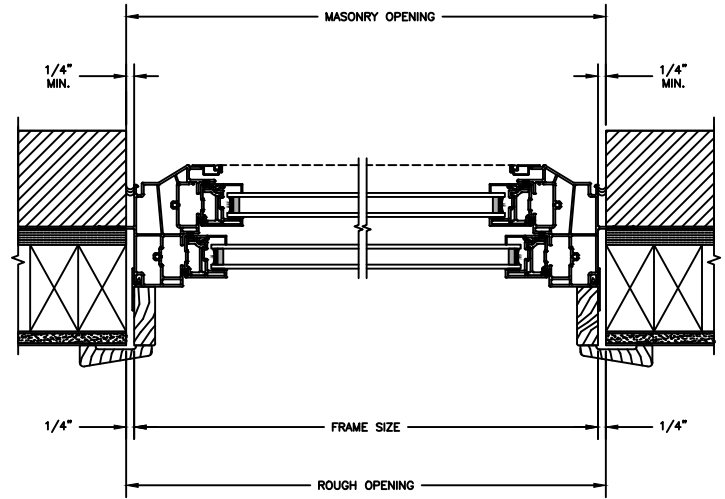
DOUBLE HUNG

SECTION DETAILS : STANDARD FRAME CONSTRUCTION

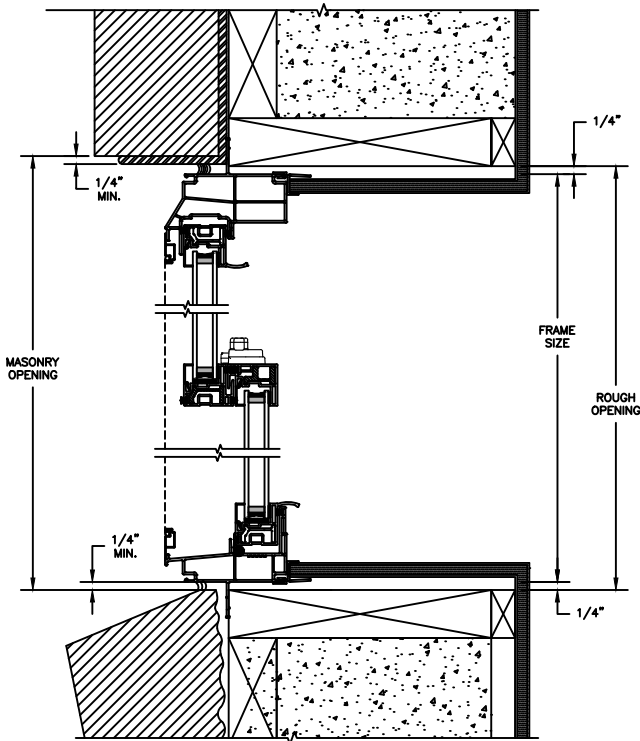
SCALE: 2" = 1'-0"



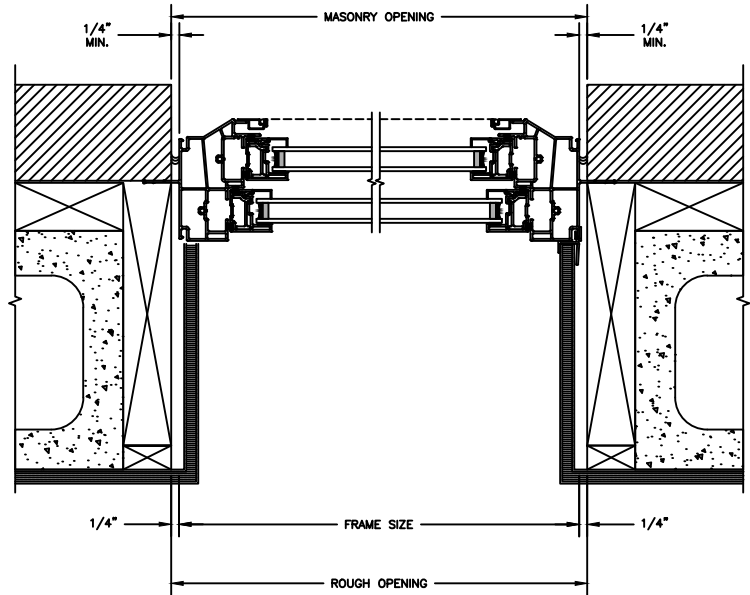
HEAD JAMB & SILL
2 X 4 FRAME WITH BRICK VENEER



JAMBS
2 X 4 FRAME WITH BRICK VENEER



HEAD JAMB & SILL
8" CONCRETE BLOCK WALL
WITH BRICK VENEER



JAMBS
8" CONCRETE BLOCK WALL
WITH BRICK VENEER

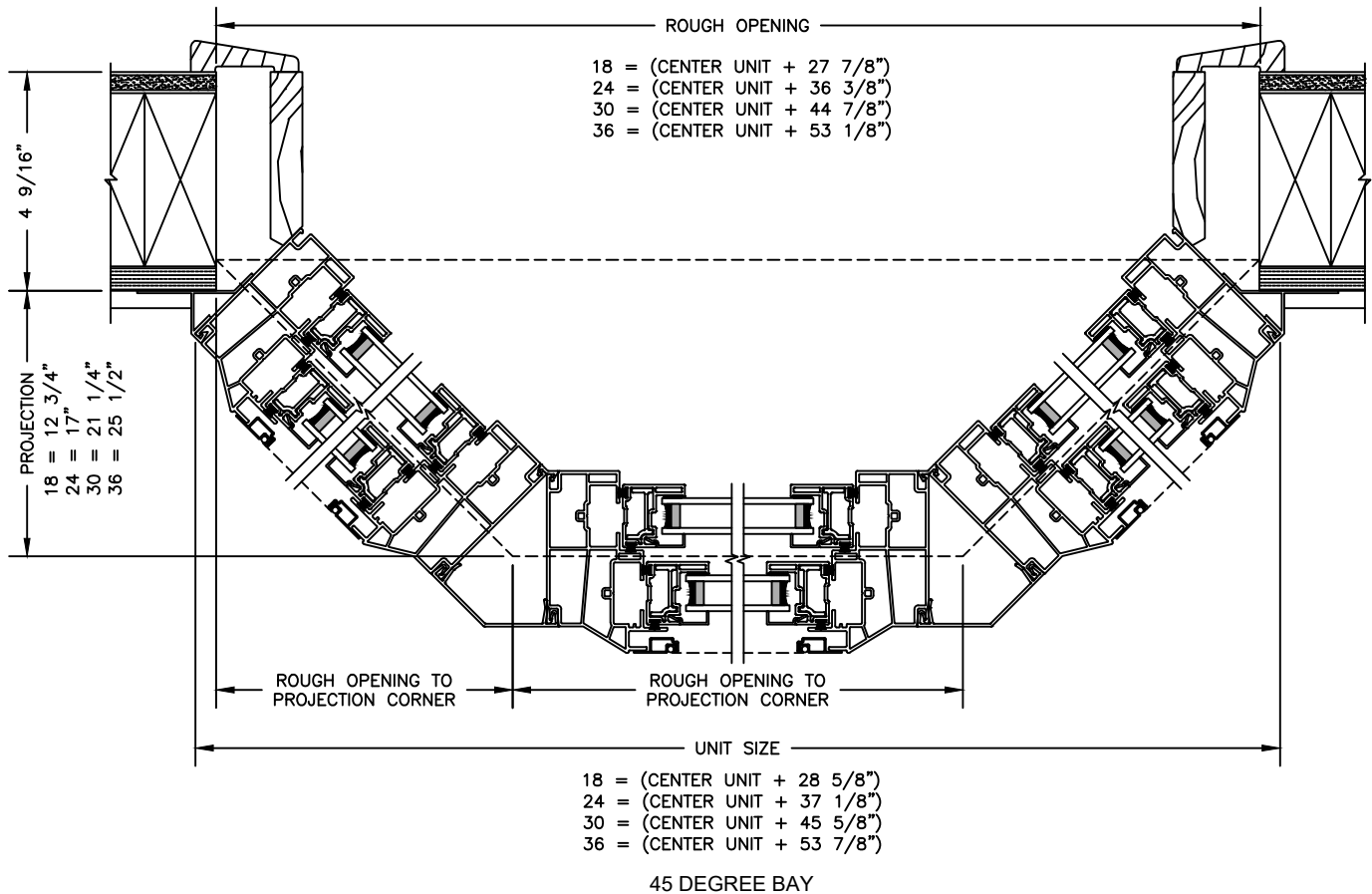
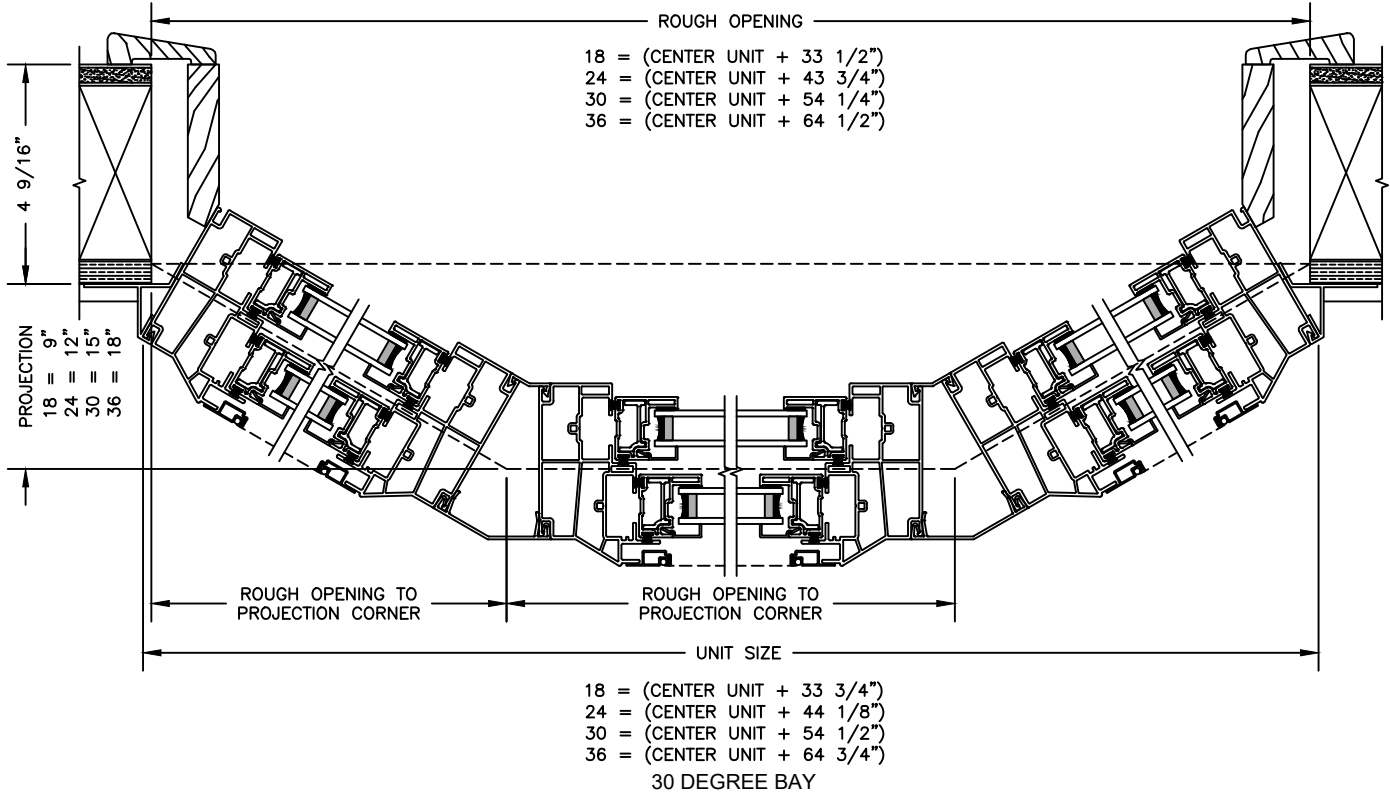
NOTE :
THE ABOVE WALL SECTIONS REPRESENT TYPICAL WALL CONDITIONS, THESE DETAILS ARE NOT INTENDED AS INSTALLATIONS INSTRUCTIONS. PLEASE REFER TO THE INSTALLATION INSTRUCTIONS PROVIDED WITH THE PURCHASED UNITS.

Next Dimension Classic Series

DOUBLE HUNG

SECTION DETAILS : 30/45 DEGREE ANGLE BAY HORIZONTAL SECTIONS

SCALE: 3" = 1'-0"

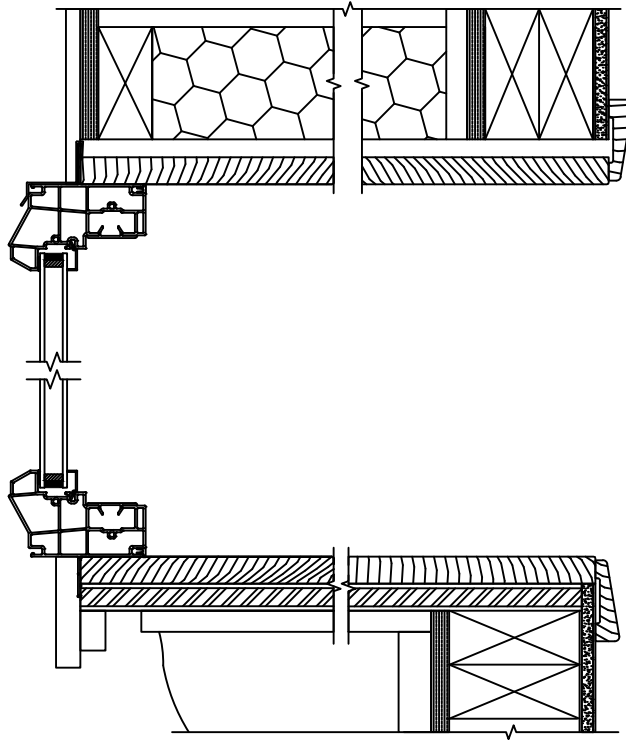


Next Dimension Classic Series

DOUBLE HUNG BAY

SECTION DETAILS : BAY

SCALE: 3"=1'-0"



NOTES:

Standard set-up unit has hardware, weatherstrip, drip cap, screens, and head and seat boards applied. Standard jamb with extender is 4 9/16". Head and seat boards are select pine, edge-glued, finger-jointed and sanded, 1" finished thickness. Optional 3/4" veneered head and seat boards are available in clear pine and oak.

Rough and masonry opening heights include head and seat boards. If head and seat boards are not specified, subtract 3/4" for each board. Construction materials supplied by others.

* Projection is defined as the dimension from the back of the nailing flange to the exterior of the wall sheathing.

Height Measurements			
BAY		BOW	
Height	R.O. Height	Height	R.O. Height
42	3-8	48	4-1 1/2
48	4-2	54	4-7 1/2
54	4-8	60	5-1 1/2
66	5-8	66	5-7 1/2
		72	6-1 1/2

NOTES:

Bay units must be configured from standard size units. An almost infinite number of combinations are possible from a wide range of standard units available. Add together double hung windows of the same height to create any grouping desired.