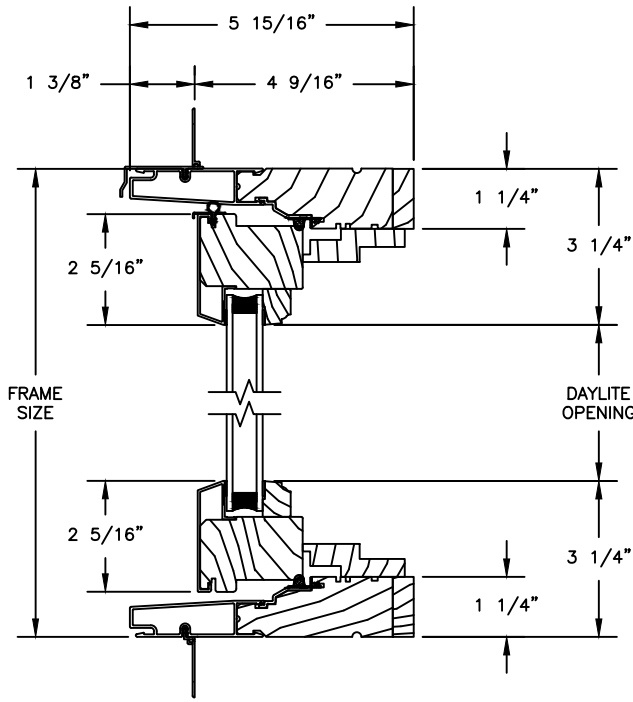


Pinnacle Select Series

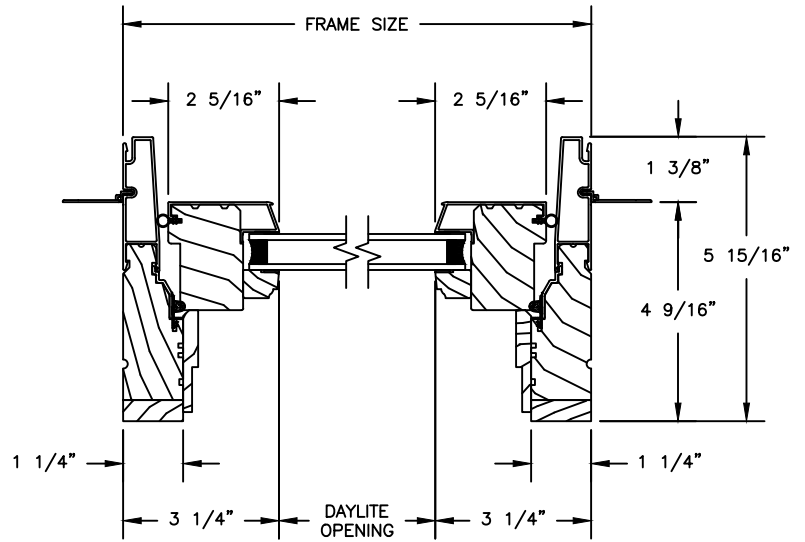
CLAD PUSH-OUT CASEMENT

SECTION DETAILS : OPERATING
 SCALE: 3" = 1'-0"

PUSH-OUT

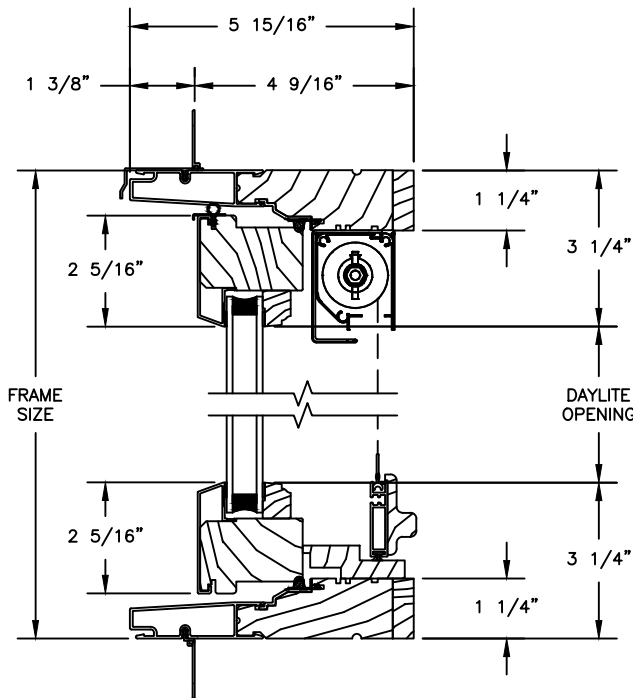


HEAD JAMB & SILL

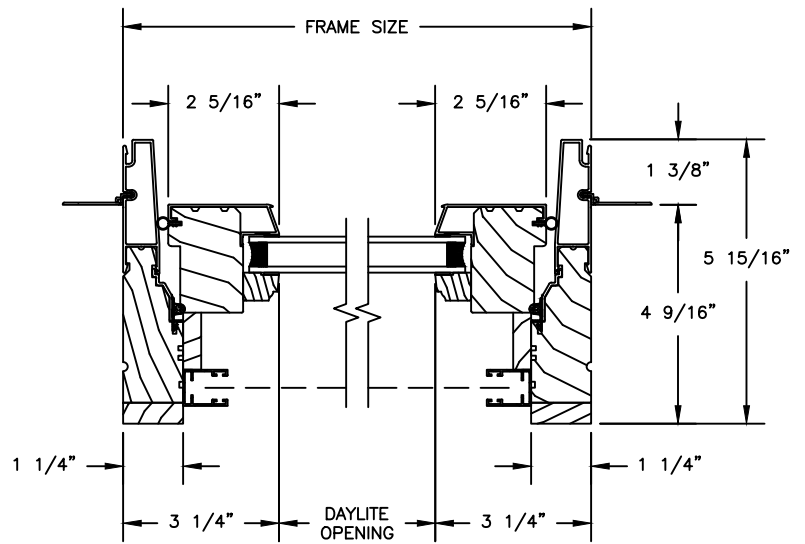


JAMBS

PUSH-OUT WITH RETRACTABLE SCREEN



HEAD JAMB & SILL



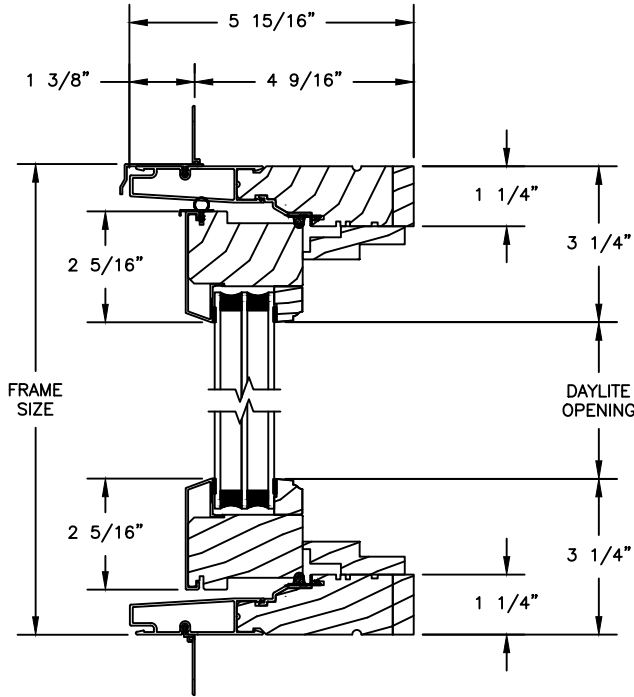
JAMBS

Pinnacle Select Series

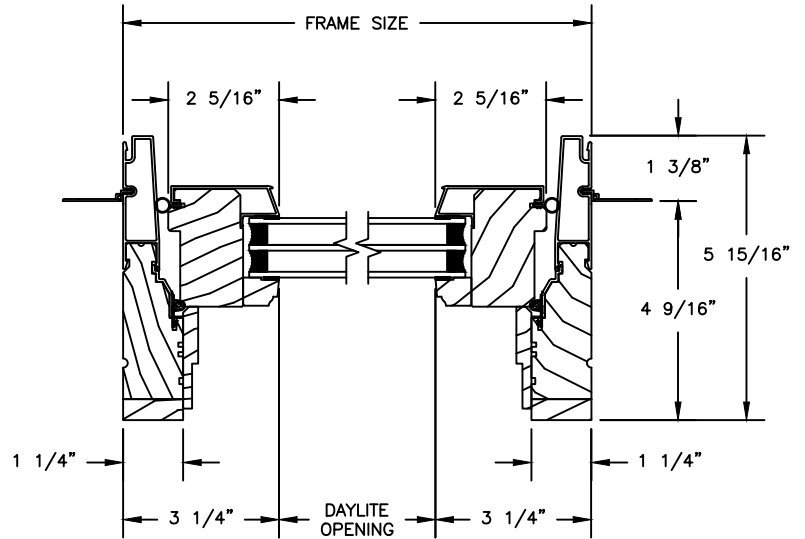
CLAD PUSH-OUT CASEMENT

SECTION DETAILS : 1 1/4" TRIPLE IG OPERATING

PUSH-OUT

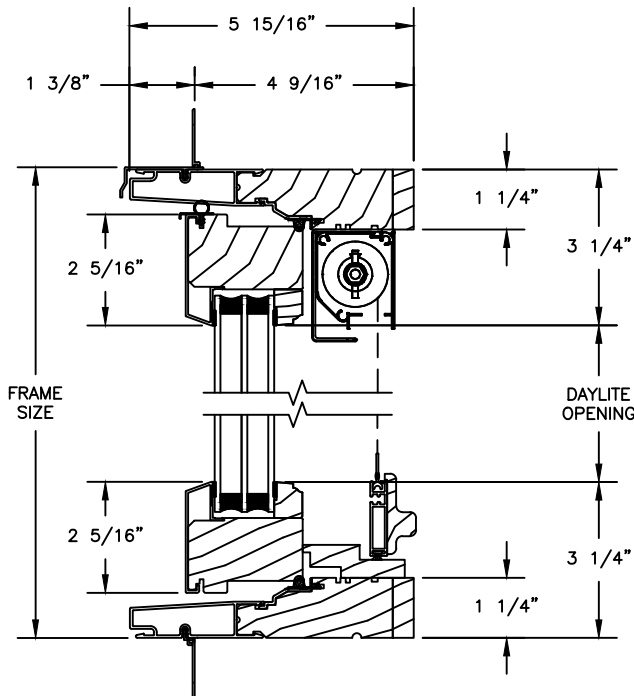


HEAD JAMB & SILL

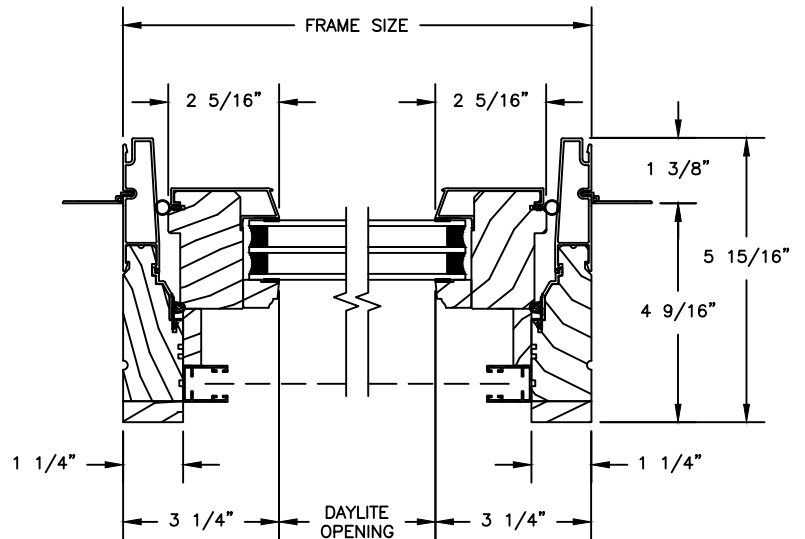


JAMBS

PUSH-OUT WITH RETRACTABLE SCREEN



HEAD JAMB & SILL



JAMBS

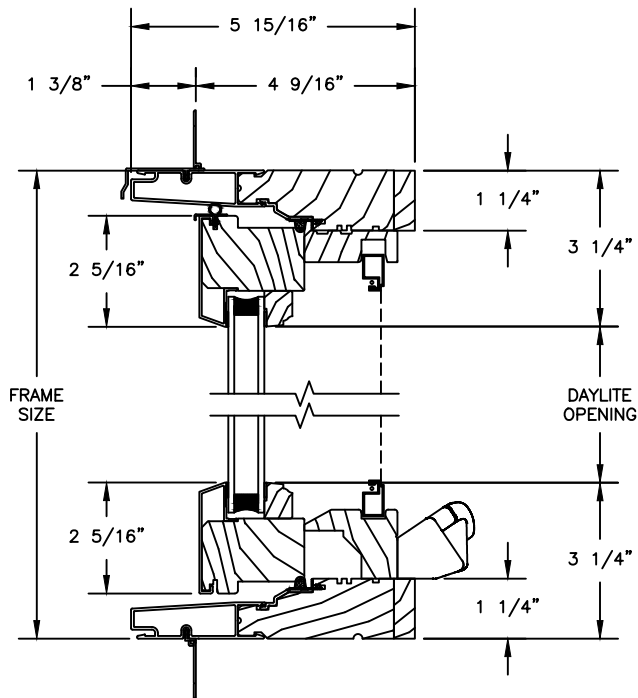
Pinnacle Select Series

CLAD CASEMENT

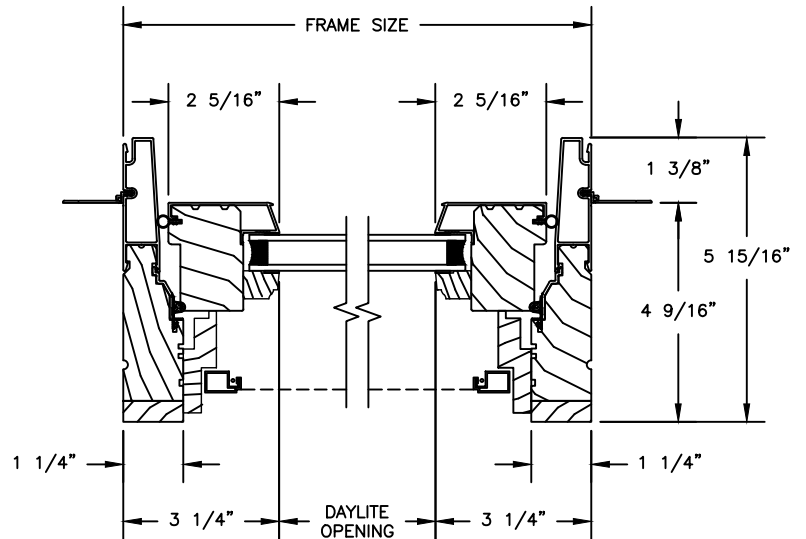
SECTION DETAILS : OPERATING

SCALE: 3" = 1'-0"

OPERATING

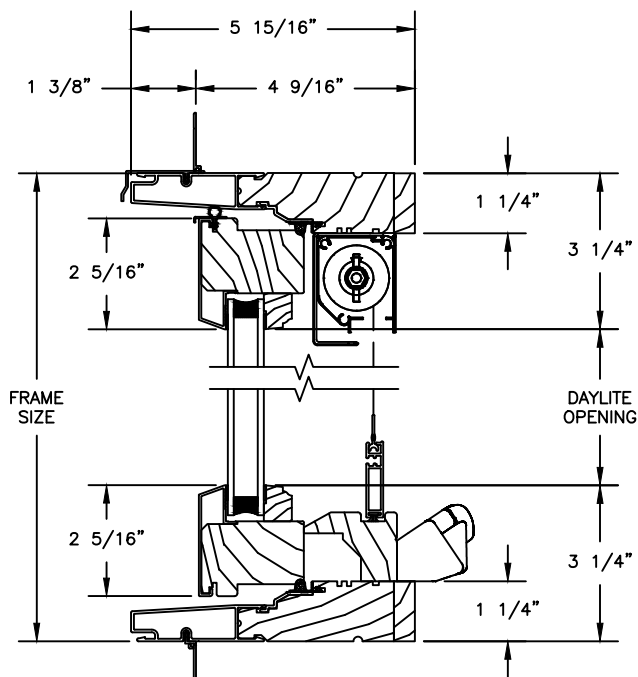


HEAD JAMB & SILL

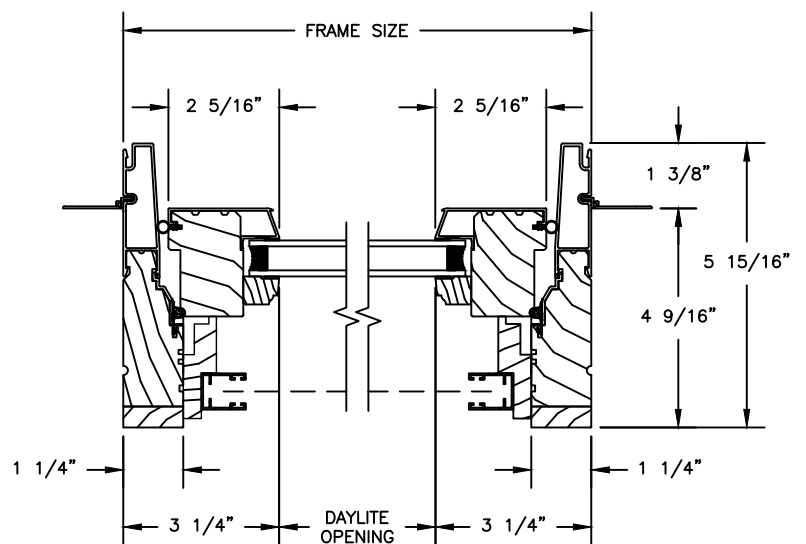


JAMBS

OPERATING WITH RETRACTABLE SCREEN



HEAD JAMB & SILL



JAMBS

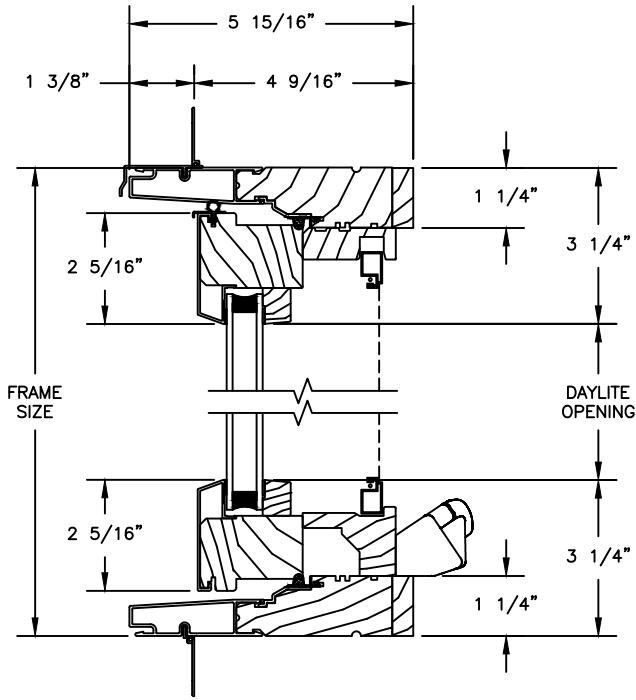
Pinnacle Select Series

CLAD CASEMENT

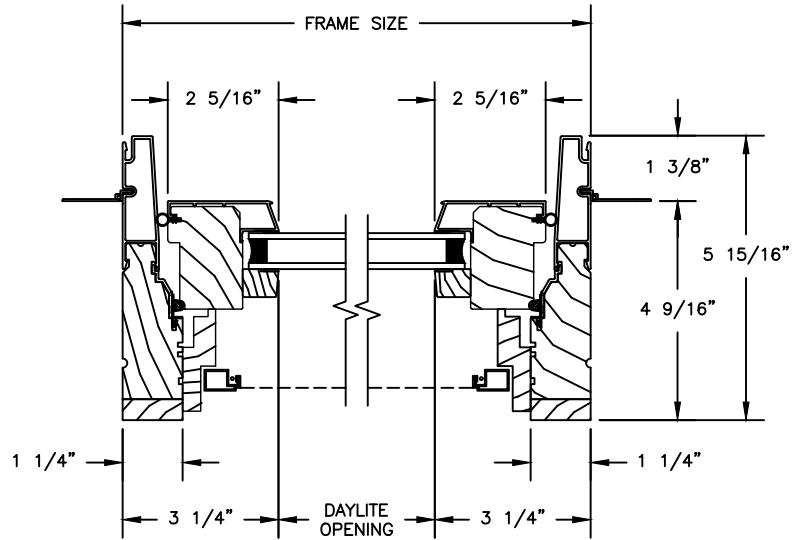
SECTION DETAILS : OPERATING WITH CONTEMPORARY STOPS

SCALE: 3" = 1'-0"

OPERATING

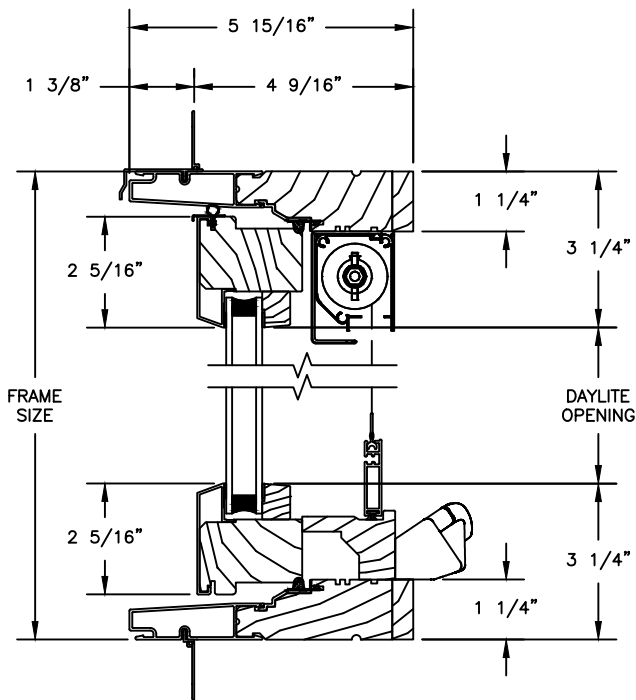


HEAD JAMB & SILL

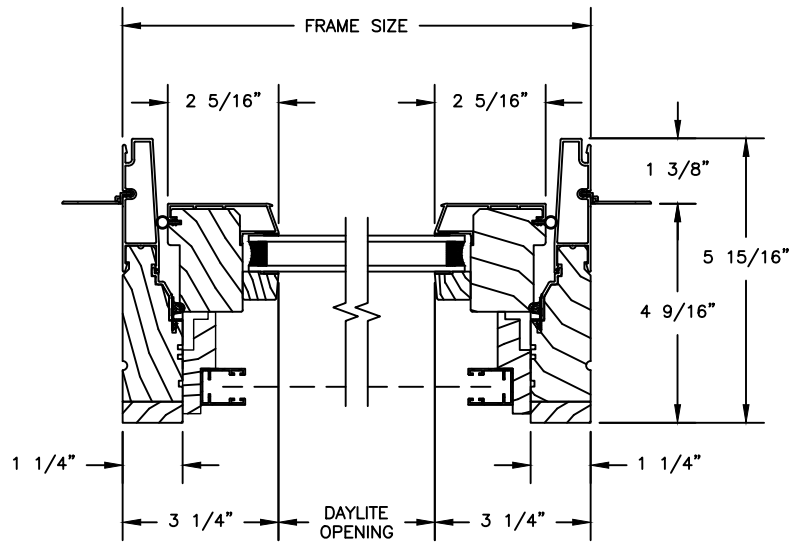


JAMBS

OPERATING WITH RETRACTABLE SCREEN



HEAD JAMB & SILL



JAMBS

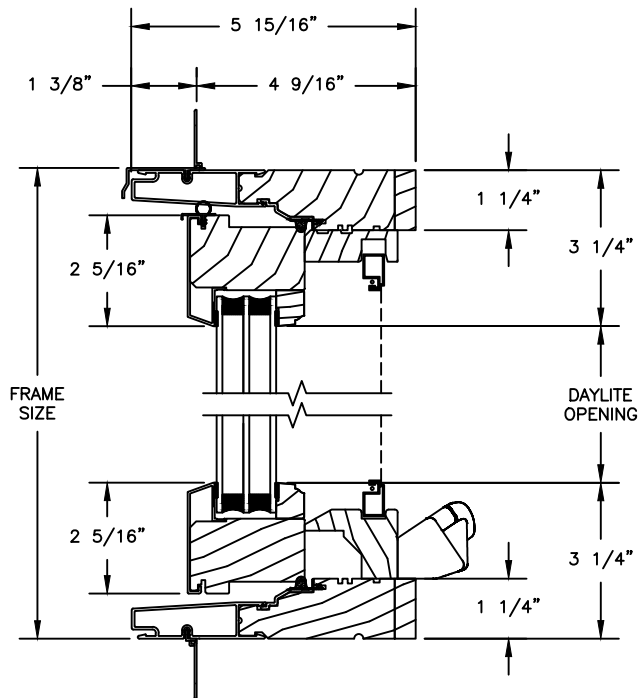
Pinnacle Select Series

CLAD CASEMENT

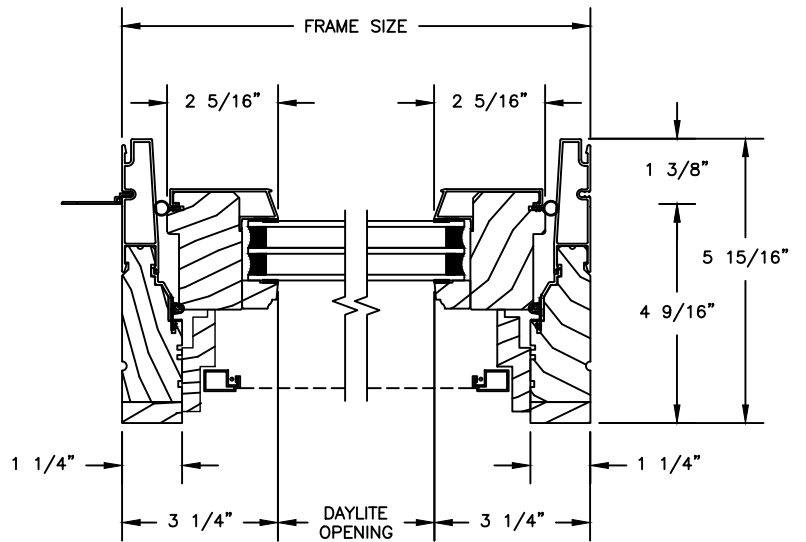
SECTION DETAILS : 1 1/4" TRIPLE IG OPERATING

SCALE: 3" = 1'-0"

OPERATING

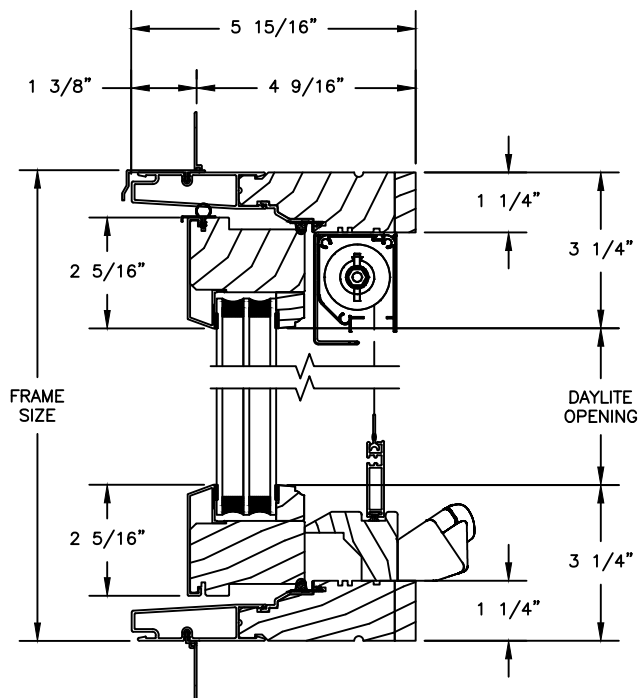


HEAD JAMB & SILL

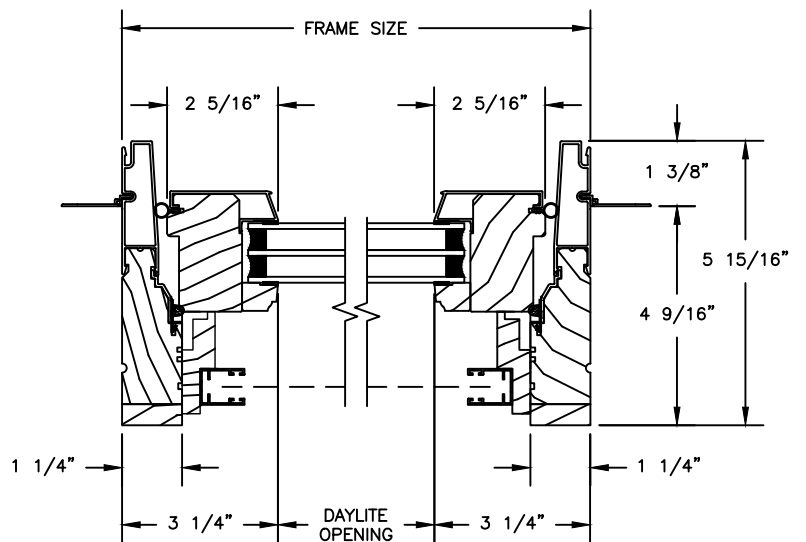


JAMBS

OPERATING WITH RETRACTABLE SCREEN



HEAD JAMB & SILL



JAMBS

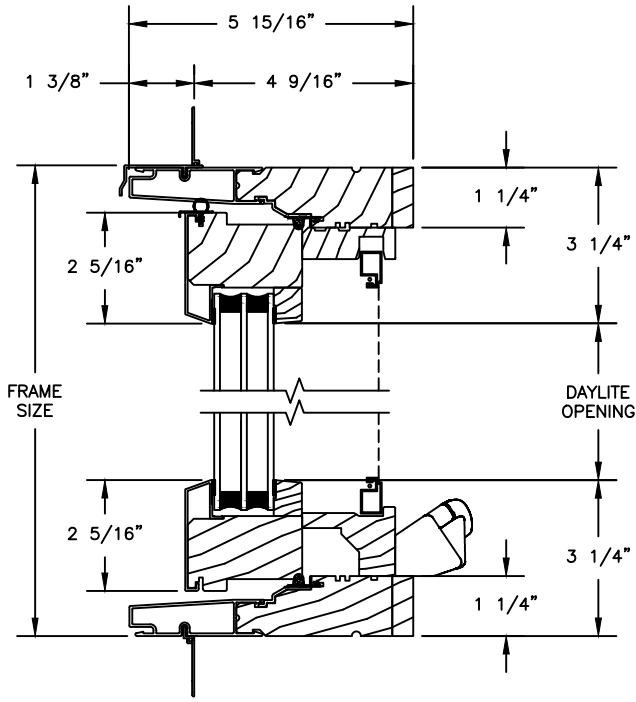
Pinnacle Select Series

CLAD CASEMENT

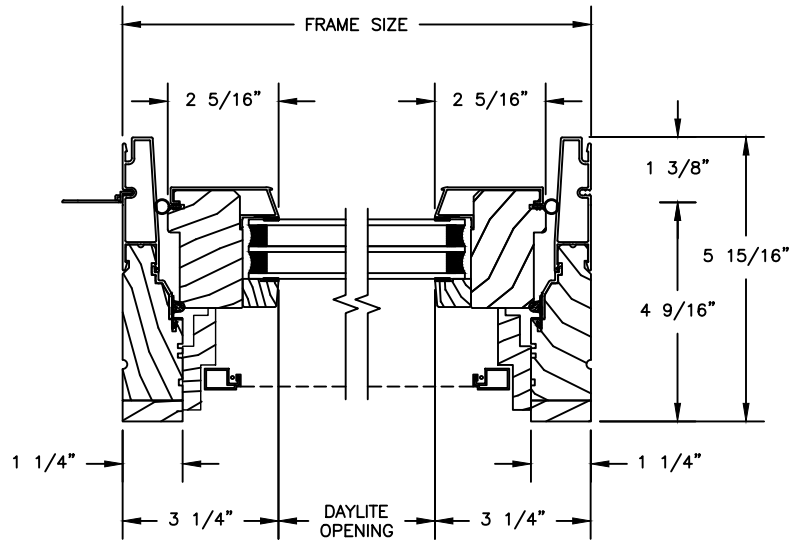
SECTION DETAILS : 1 1/4" TRIPLE IG OPERATING WITH CONTEMPORARY STOPS

SCALE: 3" = 1'-0"

OPERATING

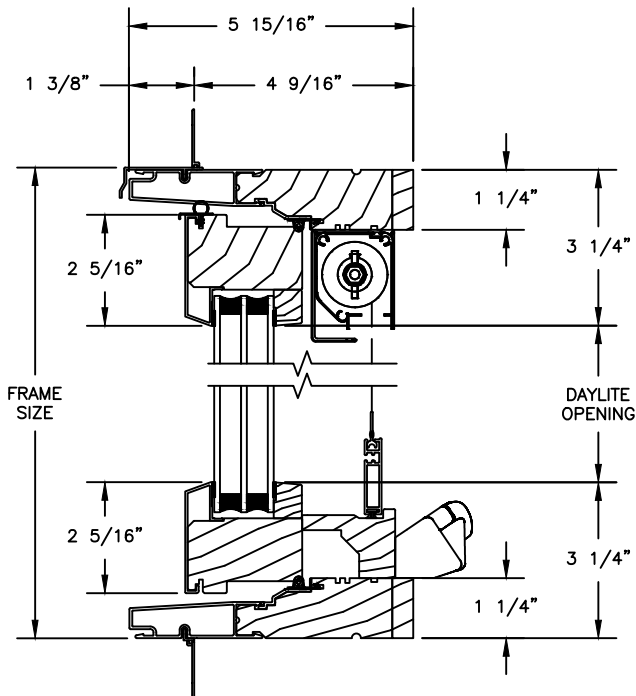


HEAD JAMB & SILL

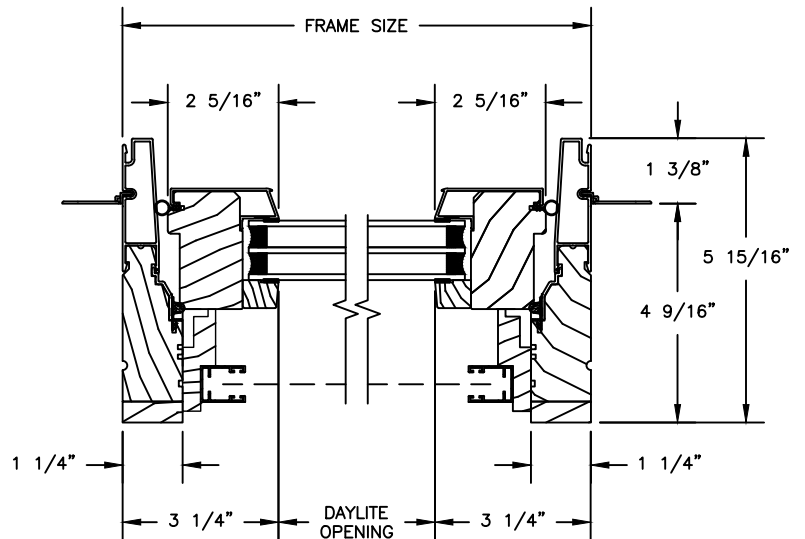


JAMBS

OPERATING WITH RETRACTABLE SCREEN



HEAD JAMB & SILL



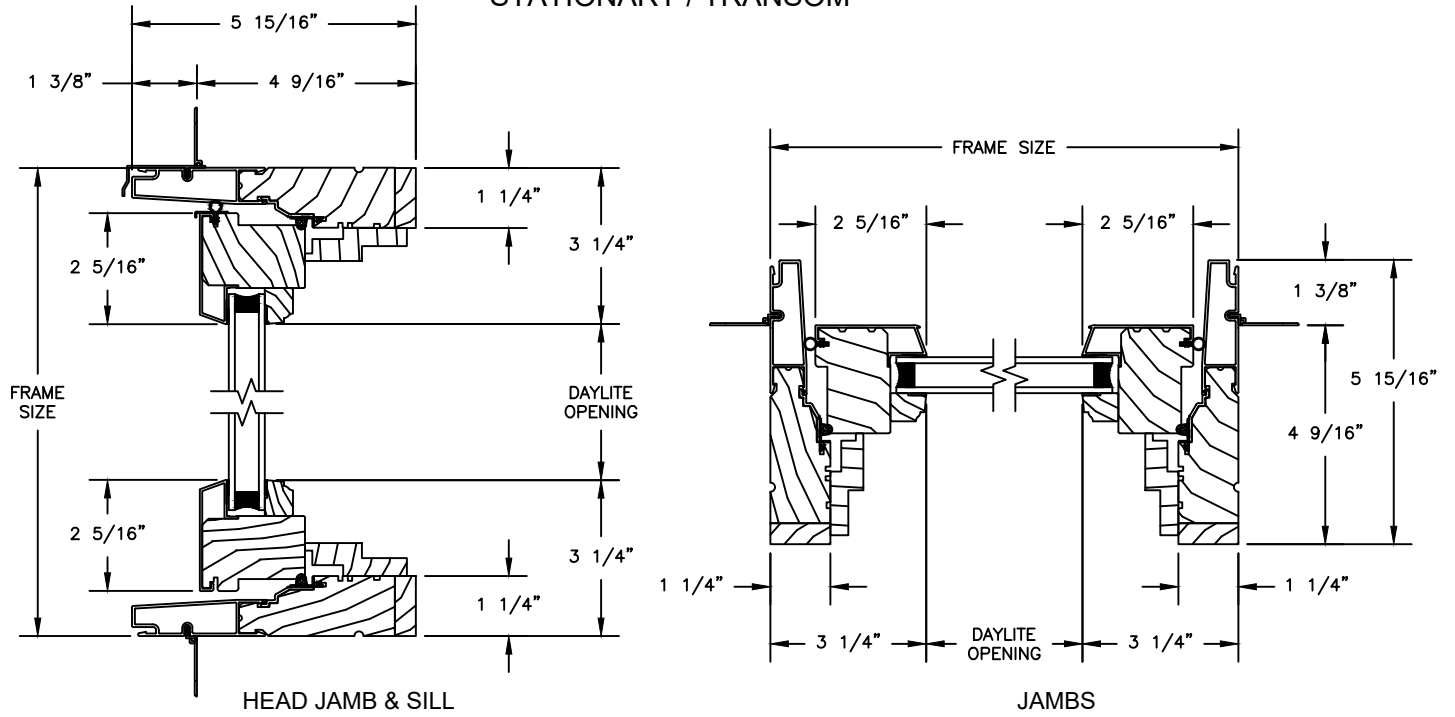
JAMBS

Pinnacle Select Series

CLAD PUSH-OUT CASEMENT

SECTION DETAILS : STATIONARY / TRANSOM
SCALE: 3" = 1'-0"

STATIONARY / TRANSOM

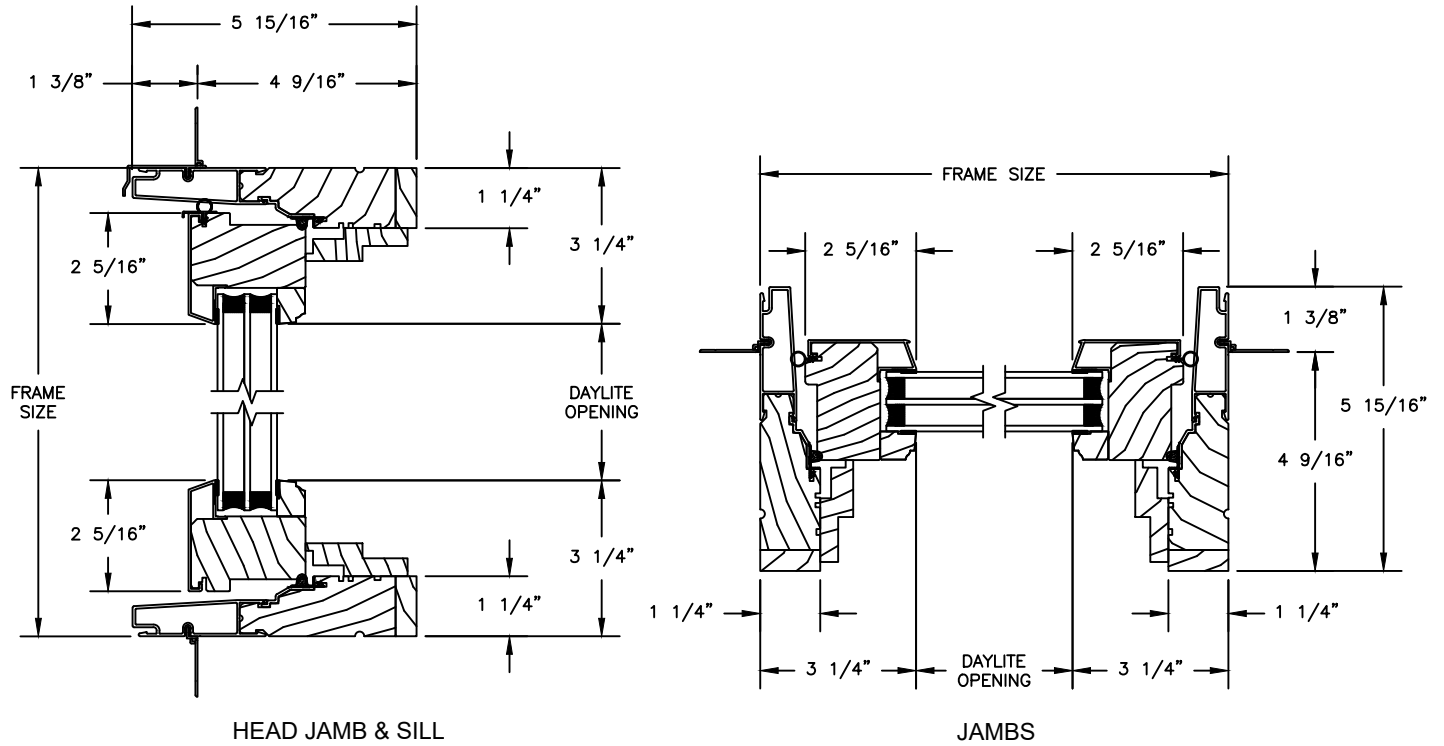


Pinnacle Select Series

CLAD PUSH-OUT CASEMENT

SECTION DETAILS : 1 1/4" TRIPLE IG STATIONARY / TRANSOM
SCALE: 3" = 1'-0"

STATIONARY / TRANSOM



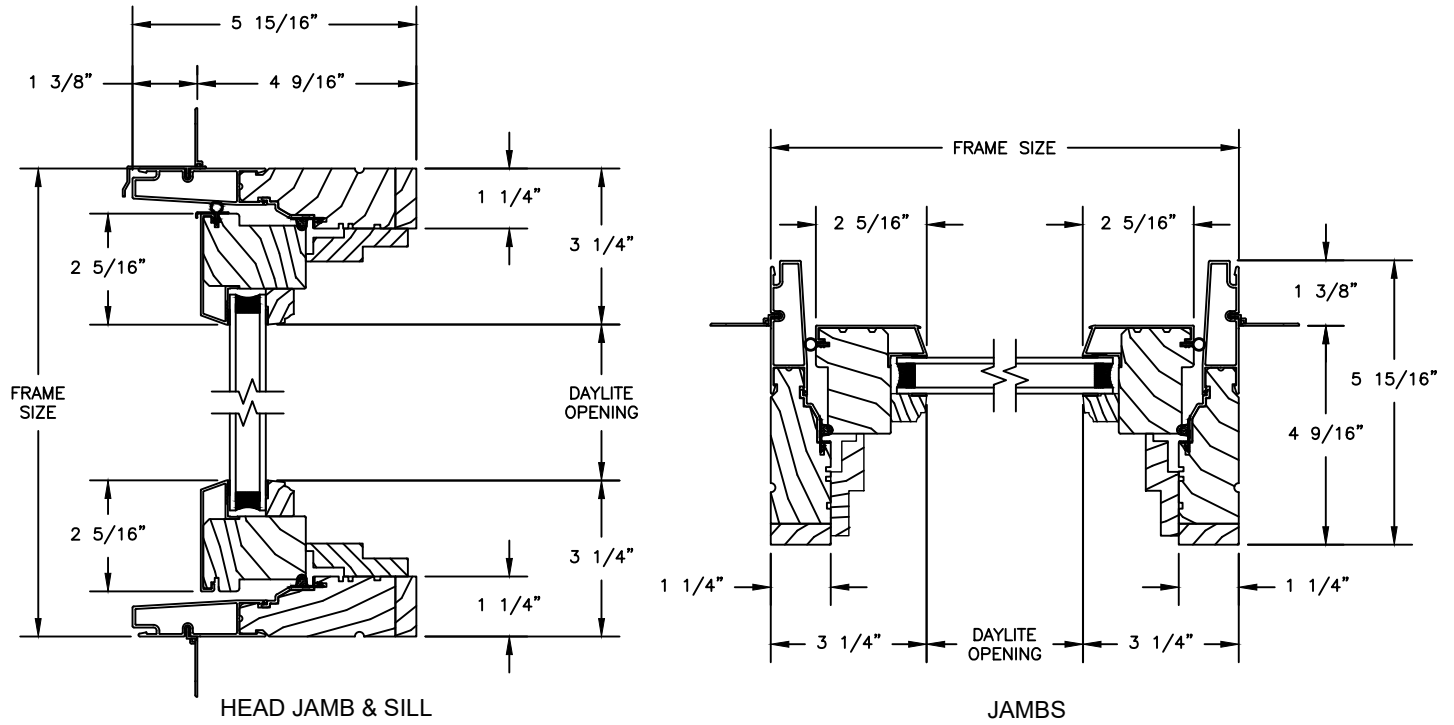
Pinnacle Select Series

CLAD CASEMENT

SECTION DETAILS : STATIONARY & PICTURE/TRANSOM

SCALE: 3" = 1'-0"

STATIONARY / TRANSOM



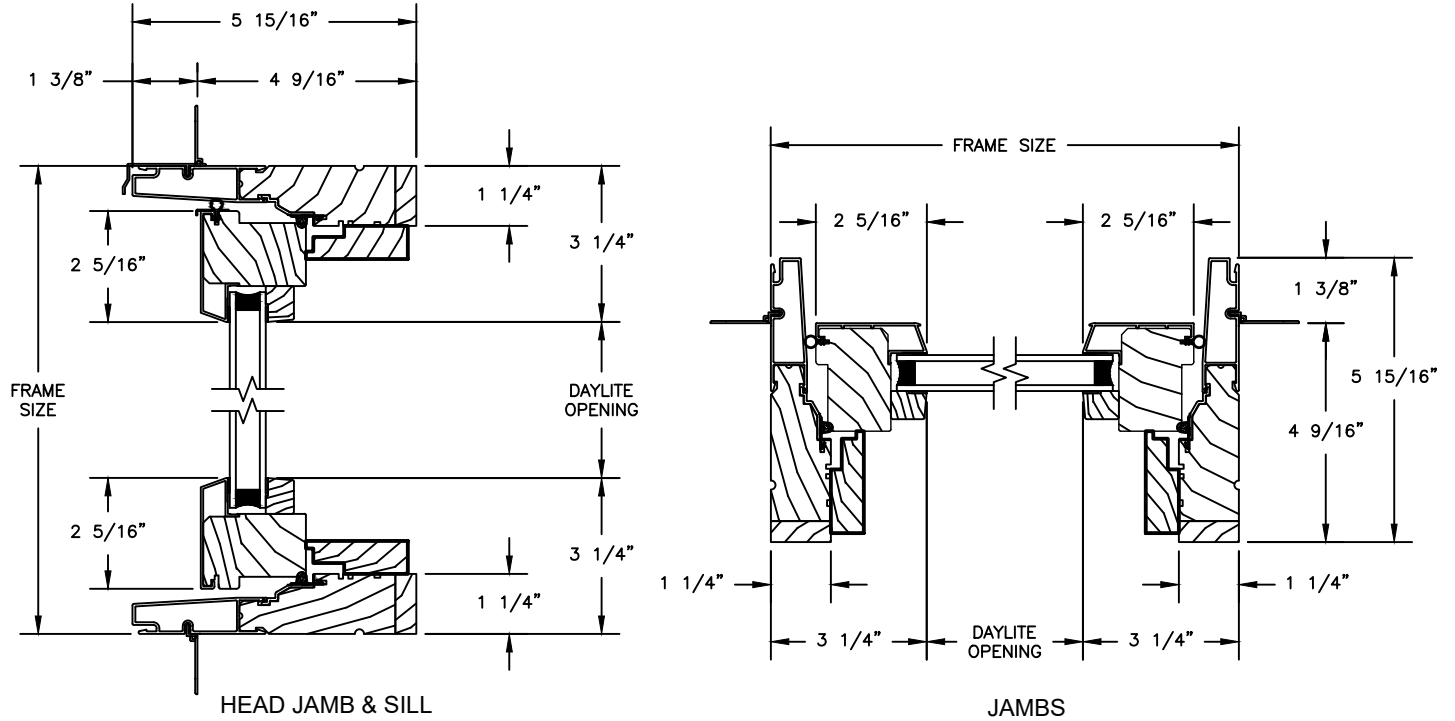
Pinnacle Select Series

CLAD CASEMENT

SECTION DETAILS : STATIONARY / TRANSOM WITH CONTEMPORARY STOPS

SCALE: 3" = 1'-0"

STATIONARY



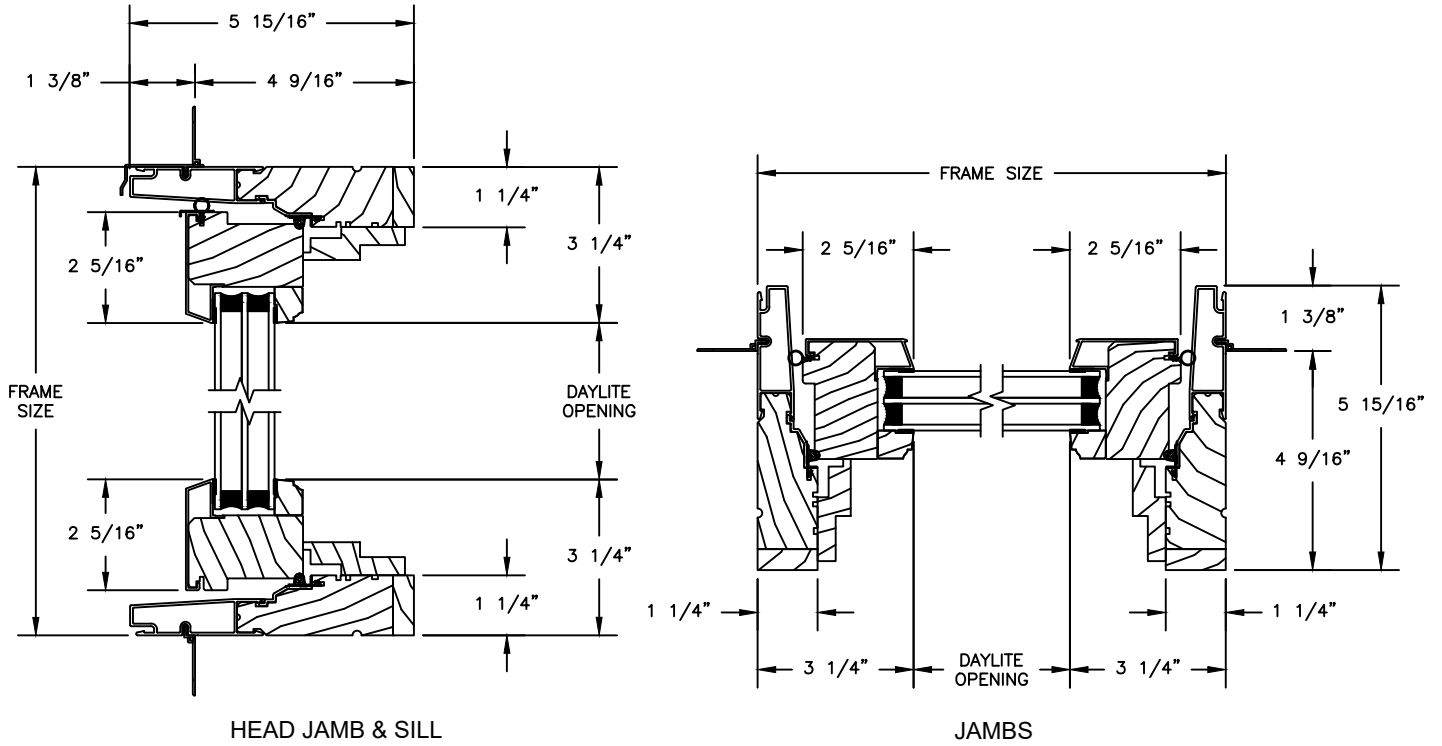
Pinnacle Select Series

CLAD CASEMENT

SECTION DETAILS : 1 1/4" TRIPLE IG STATIONARY / TRANSOM

SCALE: 3" = 1'-0"

STATIONARY / TRANSOM

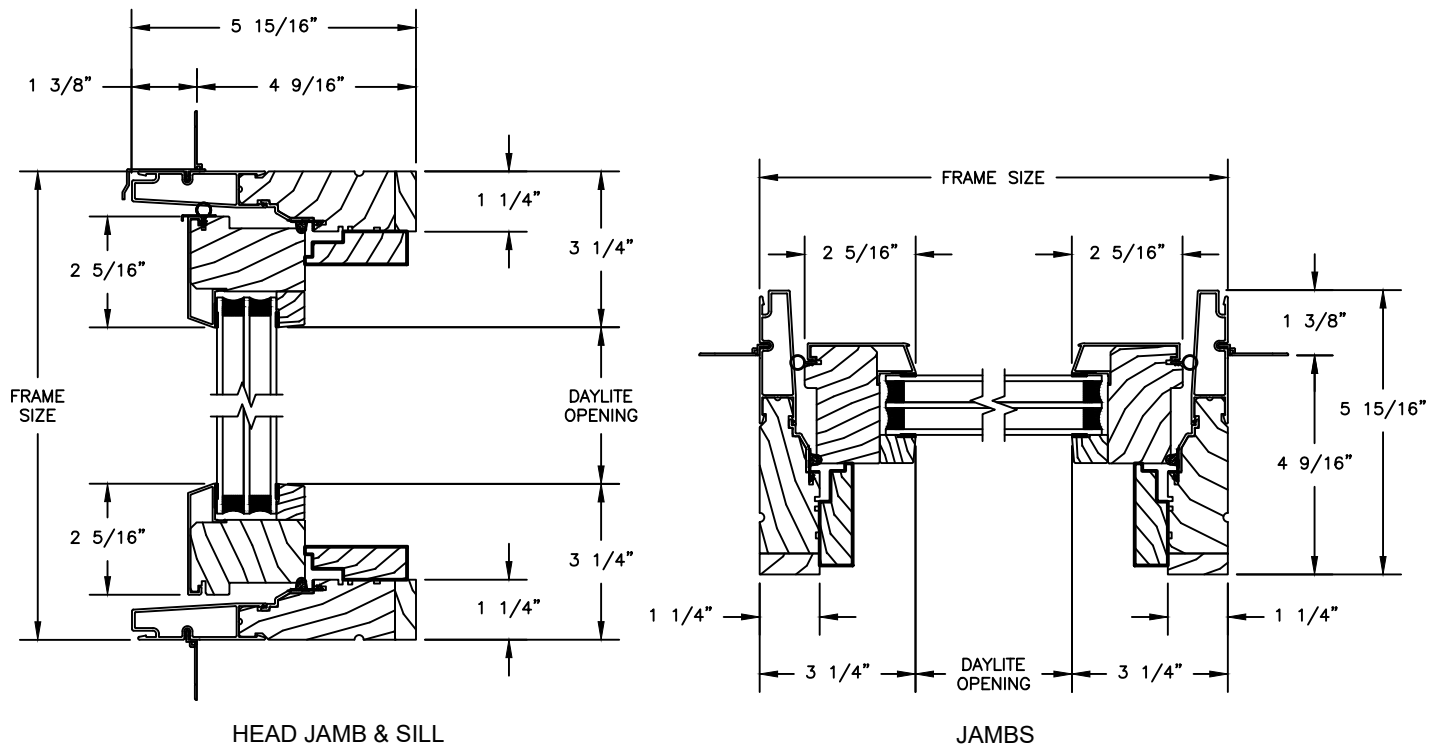


Pinnacle Select Series

CLAD CASEMENT

SECTION DETAILS : 1 1/4" TRIPLE IG STAT IONARY / TRANSOM WITH CONTEMP. STOPS
SCALE: 3" = 1'-0"

STATIONARY

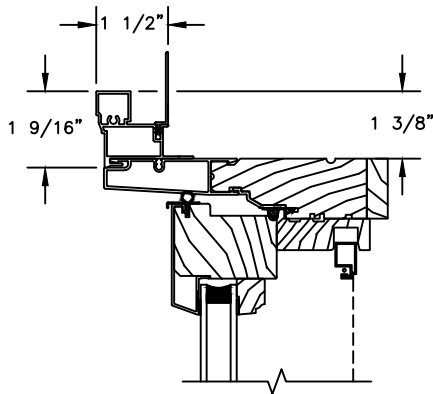


Pinnacle Select Series

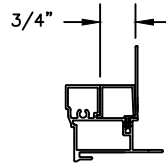
CLAD CASEMENT

SECTION DETAILS : CASING OPTIONS

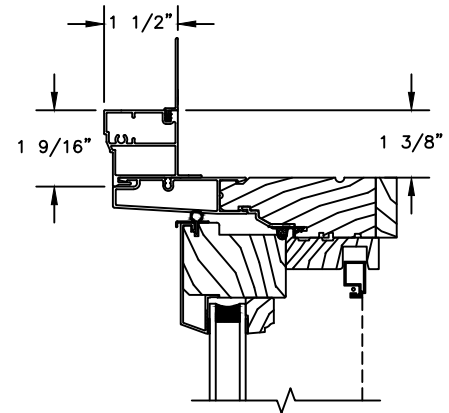
SCALE: 3" = 1'-0"



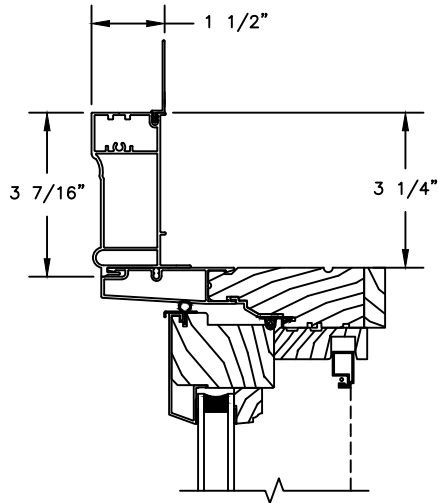
HEAD JAMB WITH
CLAD 180 BRICKMOULD CASING



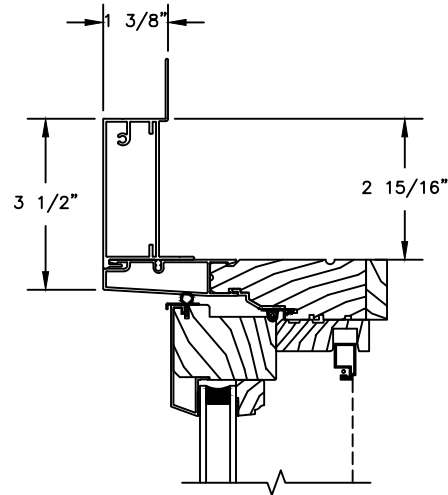
CLAD BRICKMOULD CASING
WITH OPTIONAL J-CHANNEL COVER



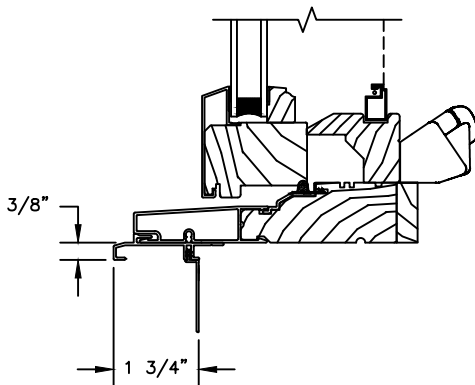
HEAD JAMB WITH
CLAD SQUARE BRICKMOULD CASING



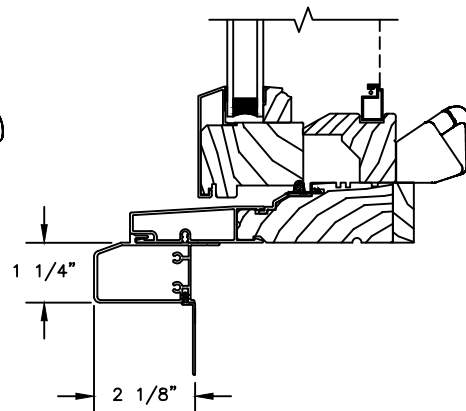
HEAD JAMB WITH
CLAD WILLIAMSBURG CASING



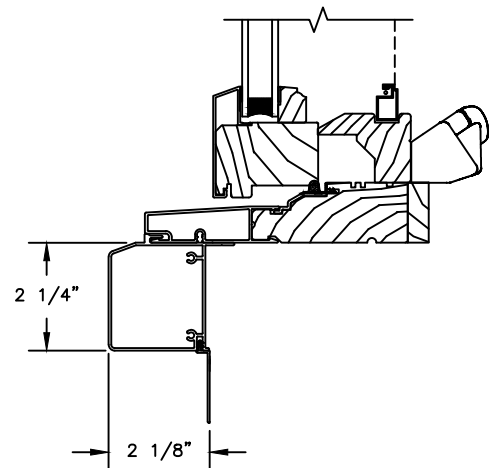
HEAD JAMB WITH
3 1/2" CLAD FLAT CASING



SILL WITH
4/21/25 3/8" CLAD SUBSILL



SILL WITH
1 1/4" CLAD SUBSILL



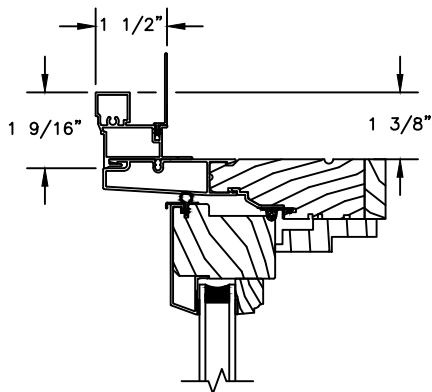
SILL WITH
2 1/4" CLAD SUBSILL

Pinnacle Select Series

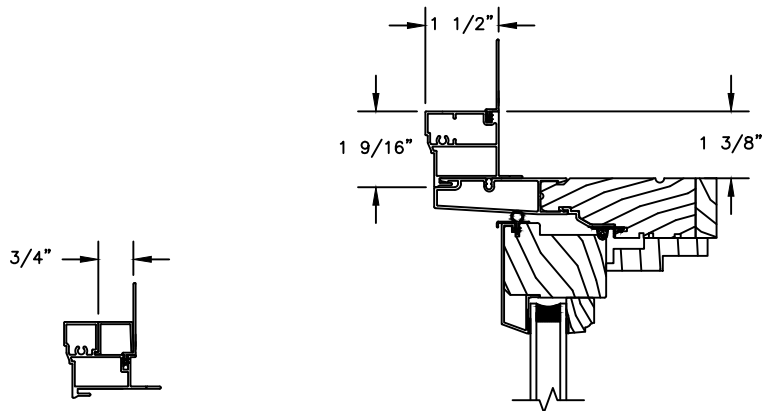
CLAD PUSH-OUT CASEMENT

SECTION DETAILS : CASING OPTIONS

SCALE: 3" = 1'-0"

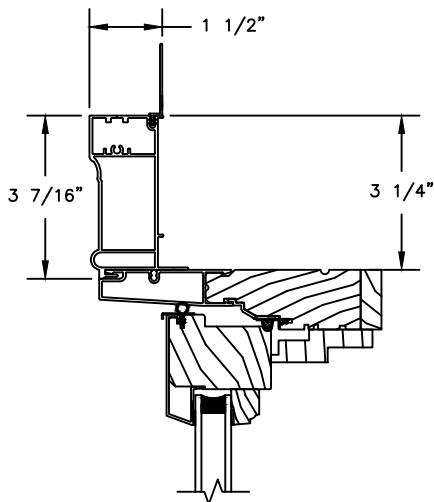


HEAD JAMB WITH
CLAD 180 BRICKMOULD CASING

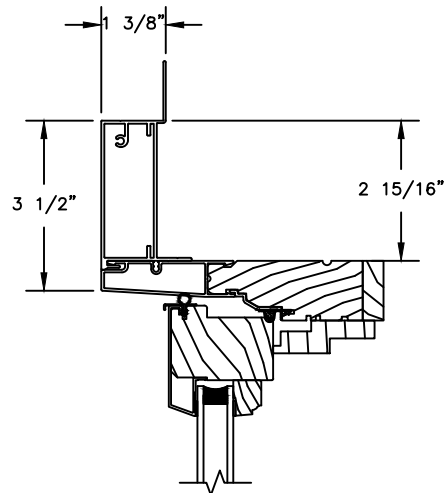


CLAD BRICKMOULD CASING
WITH OPTIONAL J-CHANNEL COVER

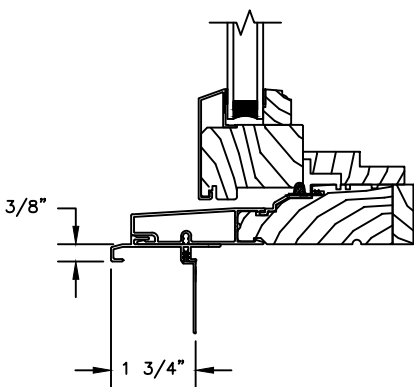
HEAD JAMB WITH
CLAD SQUARE BRICKMOULD CASING



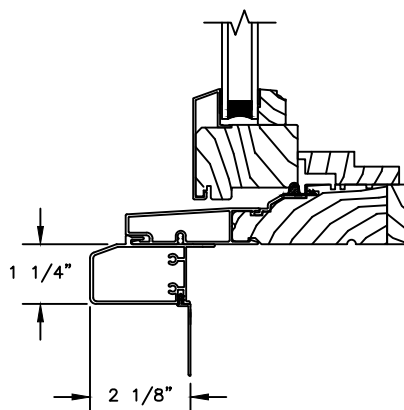
HEAD JAMB WITH
CLAD WILLIAMSBURG CASING



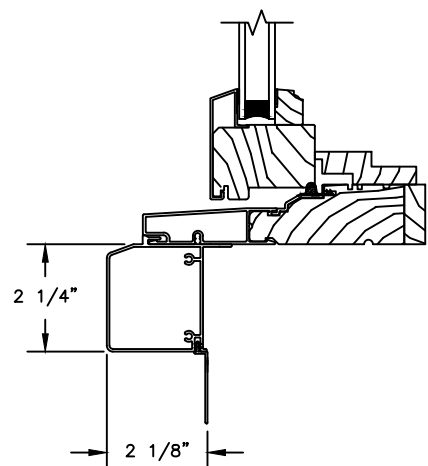
HEAD JAMB WITH
3 1/2" CLAD FLAT CASING



SILL WITH
4/21/25 3/8" CLAD SUBSILL



SILL WITH
1 1/4" CLAD SUBSILL



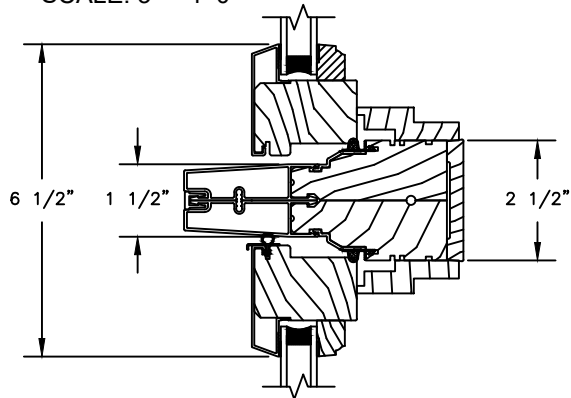
SILL WITH
2 1/4" CLAD SUBSILL

Pinnacle Select Series

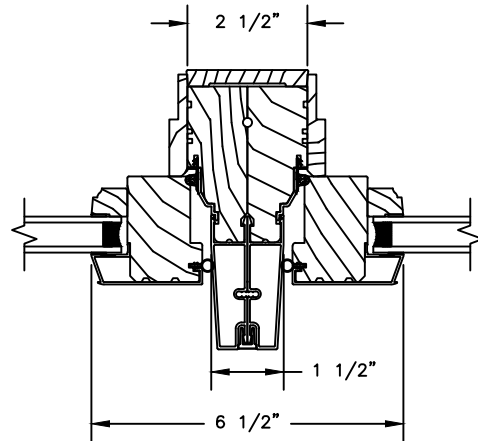
CLAD PUSH-OUT CASEMENT

SECTION DETAILS : MULLIONS

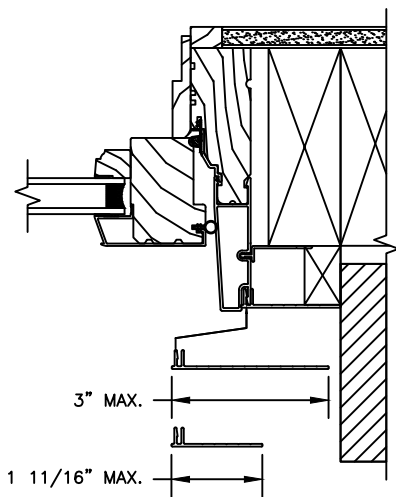
SCALE: 3" = 1'-0"



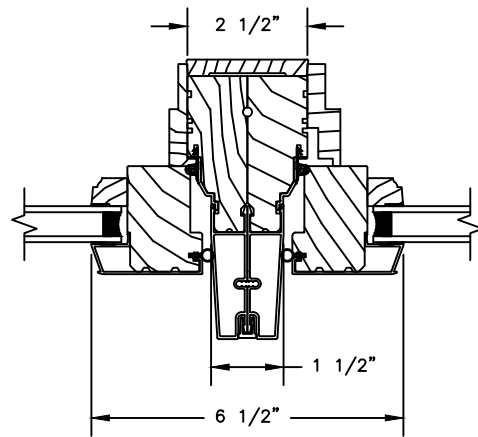
HORIZONTAL MULLION
TRANSOM/OPERATOR



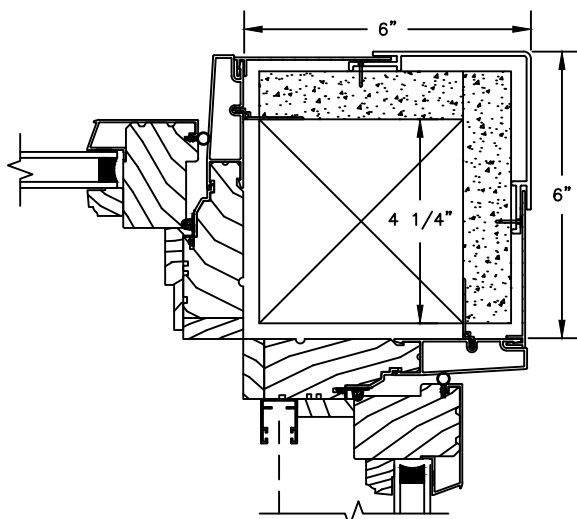
VERTICAL MULLION
OPERATOR/OPERATOR



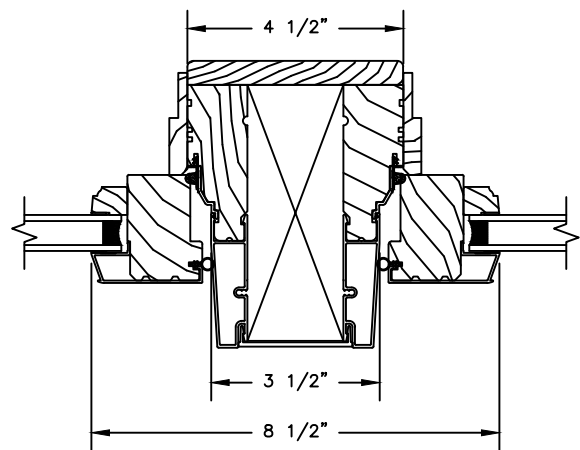
FRAME EXPANDER OPTIONS



VERTICAL MULLION
OPERATOR/STATIONARY



90° MULLION
PUSH OUT/PUSH OUT W/ RETRACTABLE SCREEN
(ONLY USED WITH 4 9/16" JAMB & 3 1/4" FRAME EXPANDER)



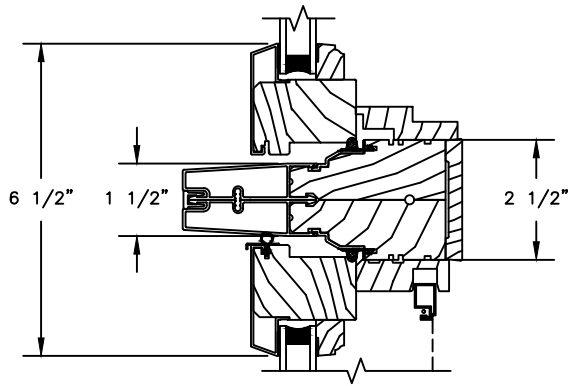
VERTICAL MULLION WITH
2" SPREAD MULL
ADDITIONAL WIDTHS INCLUDE:
1", 2", 2 1/2", 3", & 4"

Pinnacle Select Series

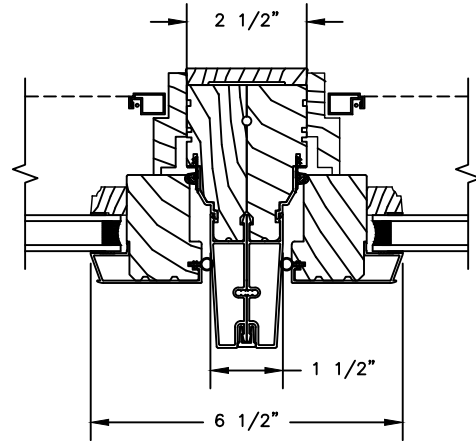
CLAD CASEMENT

SECTION DETAILS : MULLIONS

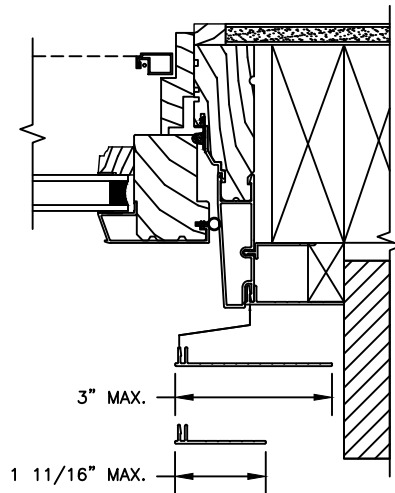
SCALE: 3" = 1'-0"



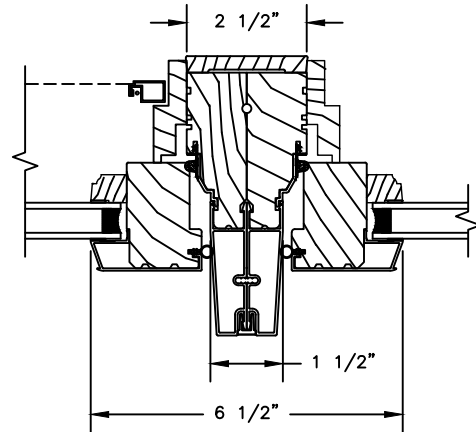
HORIZONTAL MULLION
STATIONARY/OPERATOR



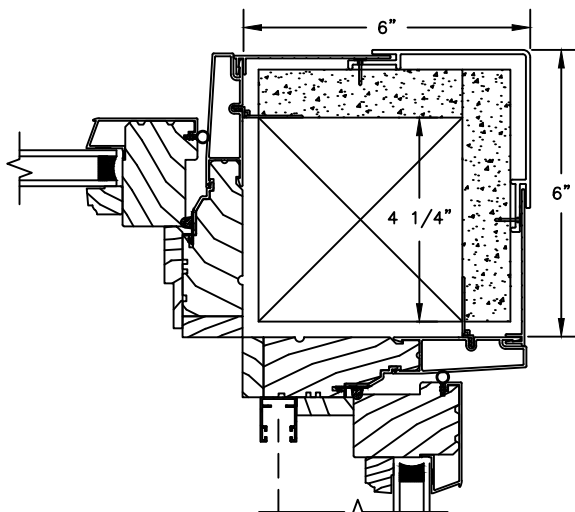
VERTICAL MULLION
OPERATOR/OPERATOR



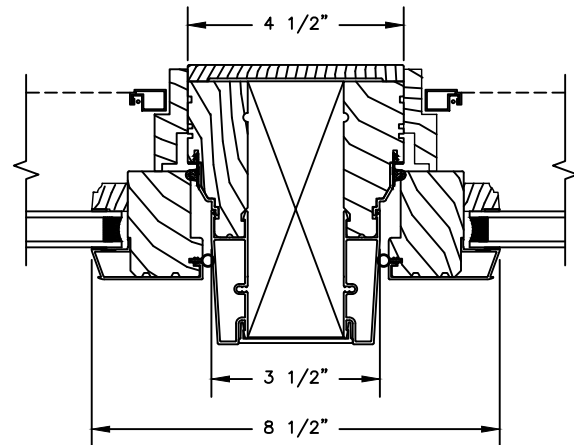
FRAME EXPANDER OPTIONS



VERTICAL MULLION
OPERATOR/STATIONARY



90° MULLION
PUSH OUT/PUSH OUT W/ RETRACTABLE SCREEN
(ONLY USED WITH 4 9/16" JAMB & 3 1/4" FRAME EXPANDER)



VERTICAL MULLION WITH
2" SPREAD MULL
ADDITIONAL WIDTHS INCLUDE:
1", 2", 2 1/2", 3", & 4"

NOTE:
FOR INFORMATION ON STRUCTURAL MULLIONS REFER TO
THE PRODUCT PERFORMANCE AND INFORMATION SECTION.

Pinnacle Select Series

CLAD PUSH-OUT CASEMENT

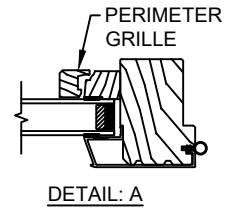
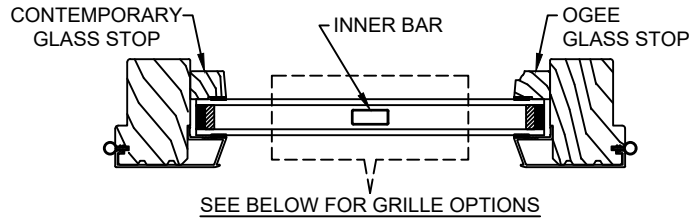
SECTION DETAILS : GLASS STOP & DIVIDED LITE OPTIONS

SCALE: 3" = 1'-0"

AVAILABLE STYLES

-  - PUTTY
-  - TALL PUTTY*
-  - OGEE
-  - CONTEMPORARY
-  - TALL CONTEMPORARY*

*CLAD EXTERIOR BAR ONLY



	5/8" WDL WITH INNER BAR	7/8" WDL WITH INNERBAR	1 1/4" WDL WITH INNERBAR	2" WDL WITH INNERBAR
STANDARD INSULATING GLASS				
13/16" INNERGRILLE				
3/4" PROFILED INNERGRILLE				
1" PROFILED INNERGRILLE				
7/8" STICK GRILLE				
1 1/4" STICK GRILLE				

NOTE:

* ALL WDL OPTIONS CAN BE ORDERED WITH OR WITHOUT INNER BAR

* PERIMETER GRILLES ONLY AVAILABLE IN THE 7/8" AND 1 1/4" OGEE STYLE GLASS STOP (SEE DETAIL: A)

Pinnacle Select Series

CLAD PUSH-OUT CASEMENT

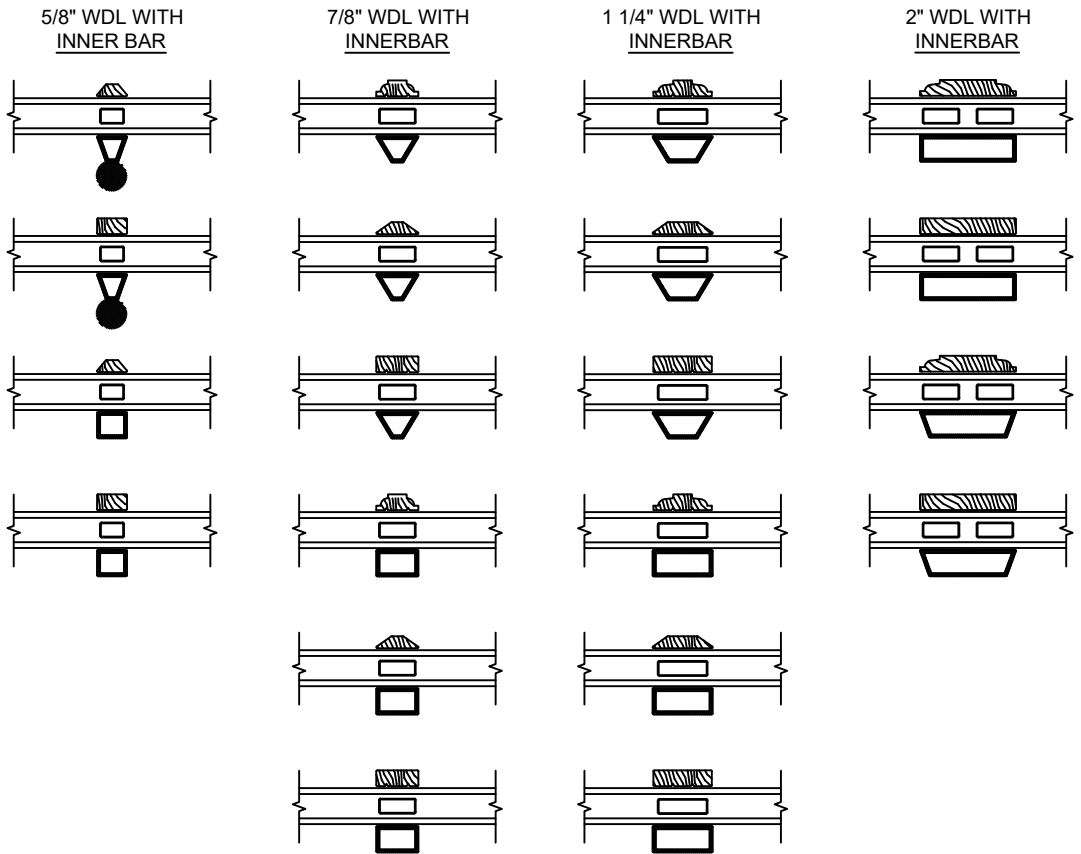
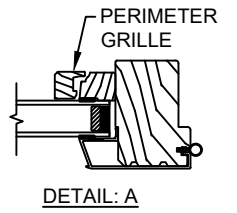
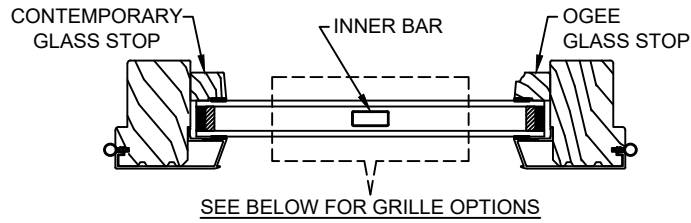
SECTION DETAILS : GLASS STOP & DIVIDED LITE OPTIONS

SCALE: 3" = 1'-0"

AVAILABLE STYLES

-  - PUTTY
-  - TALL PUTTY*
-  - OGEE
-  - CONTEMPORARY
-  - TALL CONTEMPORARY*

*CLAD EXTERIOR BAR ONLY



NOTE:

* ALL WDL OPTIONS CAN BE ORDERED WITH OR WITHOUT INNER BAR

* PERIMETER GRILLES ONLY AVAILABLE IN THE 7/8" AND 1 1/4" OGEE STYLE GLASS STOP (SEE DETAIL: A)

Pinnacle Select Series

CLAD CASEMENT

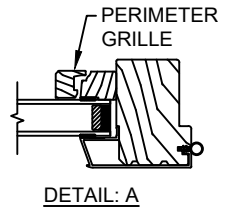
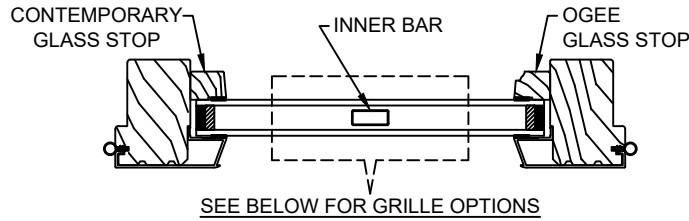
SECTION DETAILS : GLASS STOP & DIVIDED LITE OPTIONS

SCALE: 3" = 1'-0"

AVAILABLE STYLES

-  - PUTTY
-  - TALL PUTTY*
-  - OGEE
-  - CONTEMPORARY
-  - TALL CONTEMPORARY*

*CLAD EXTERIOR BAR ONLY

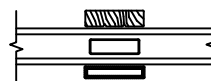
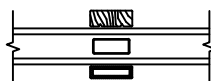
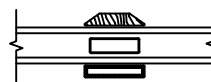
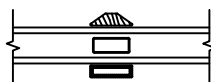
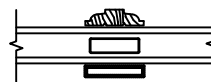
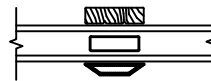
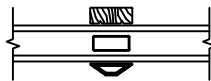
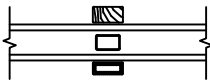
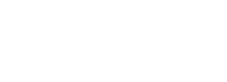
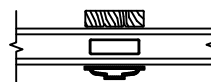
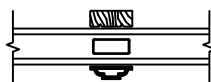
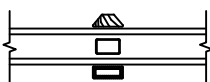
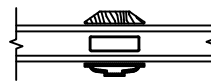
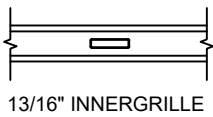
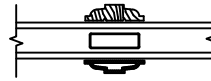


5/8" WDL WITH INNER BAR

7/8" WDL WITH INNERBAR

1 1/4" WDL WITH INNERBAR

2" WDL WITH INNERBAR



NOTE:

* ALL WDL OPTIONS CAN BE ORDERED WITH OR WITHOUT INNER BAR

* PERIMETER GRILLES ONLY AVAILABLE IN THE 7/8" AND 1 1/4" OGEE STYLE GLASS STOP (SEE DETAIL: A)

Pinnacle Select Series

CLAD CASEMENT

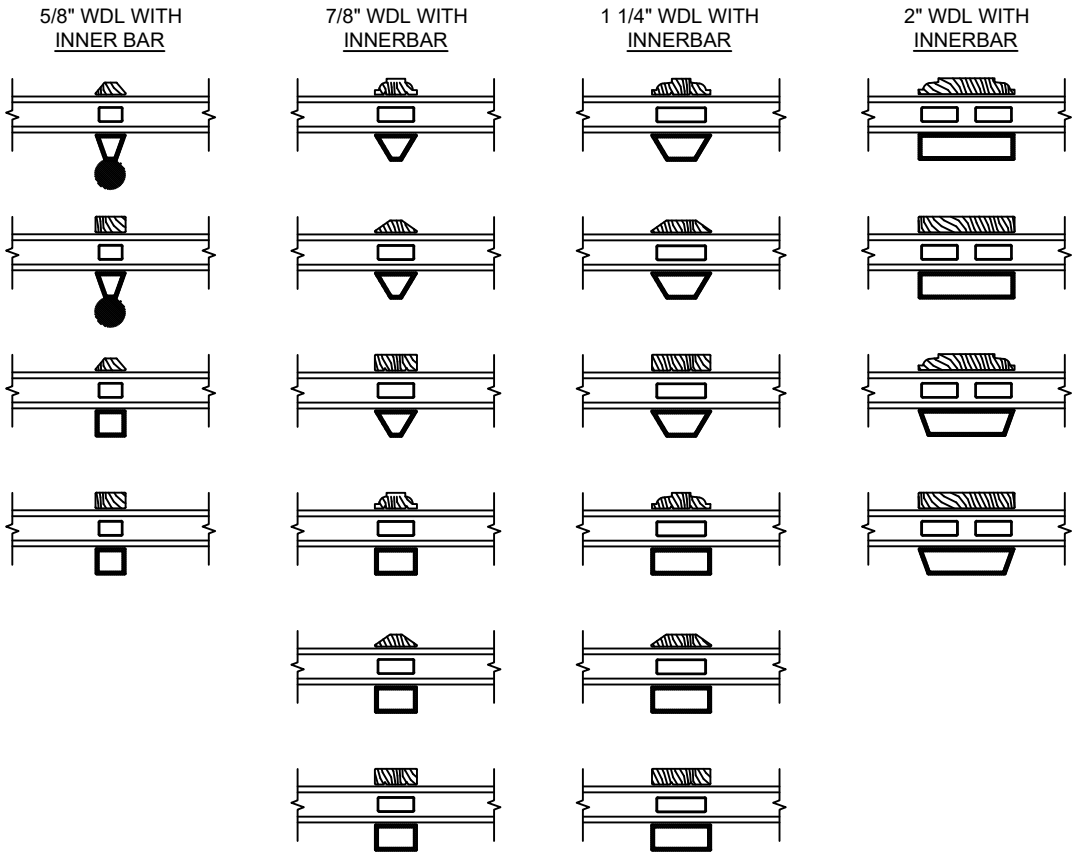
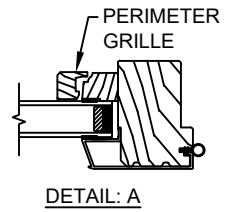
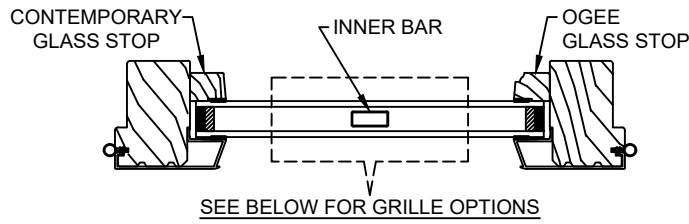
SECTION DETAILS : GLASS STOP & DIVIDED LITE OPTIONS

SCALE: 3" = 1'-0"

AVAILABLE STYLES

-  - PUTTY
-  - TALL PUTTY*
-  - OGEE
-  - CONTEMPORARY
-  - TALL CONTEMPORARY*

*CLAD EXTERIOR BAR ONLY



NOTE:

* ALL WDL OPTIONS CAN BE ORDERED WITH OR WITHOUT INNER BAR

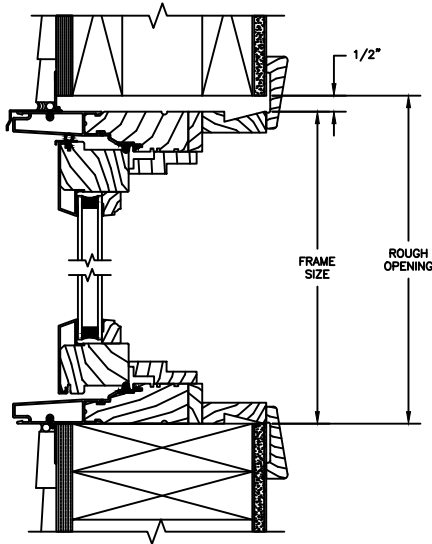
* PERIMETER GRILLES ONLY AVAILABLE IN THE 7/8" AND 1 1/4" OGEE STYLE GLASS STOP (SEE DETAIL: A)

Pinnacle Select Series

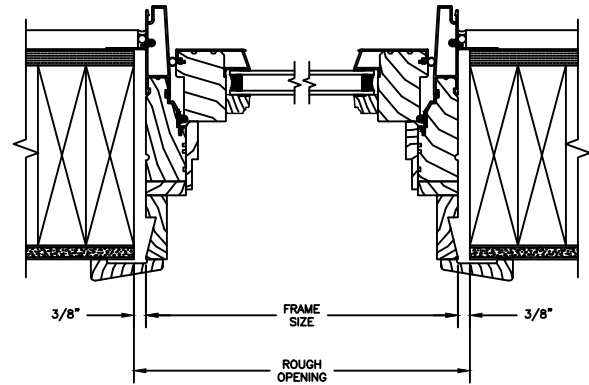
CLAD PUSH-OUT CASEMENT

SECTION DETAILS : CONSTRUCTION

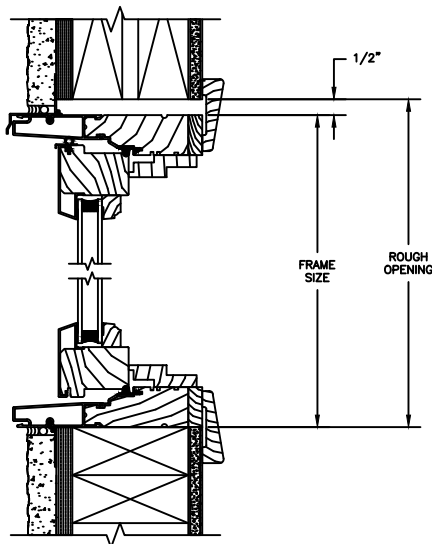
SCALE: 2" = 1'-0"



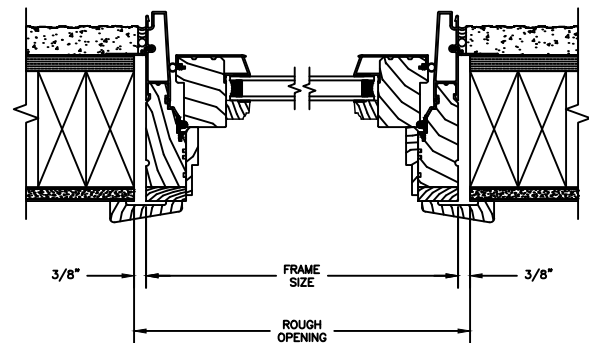
HEAD JAMB & SILL
2 X 6 FRAME WITH SIDING



JAMBS
2 X 6 FRAME WITH SIDING



HEAD JAMB & SILL
2 X 4 FRAME WITH STUCCO



JAMBS
2 X 4 FRAME WITH STUCCO

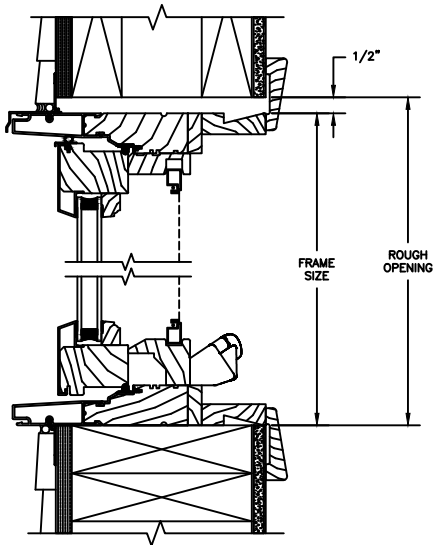
NOTE :
THE ABOVE WALL SECTIONS REPRESENT TYPICAL WALL CONDITIONS, THESE DETAILS ARE NOT INTENDED AS INSTALLATIONS INSTRUCTIONS. PLEASE REFER TO THE INSTALLATION INSTRUCTIONS PROVIDED WITH THE PURCHASED UNITS.

Pinnacle Select Series

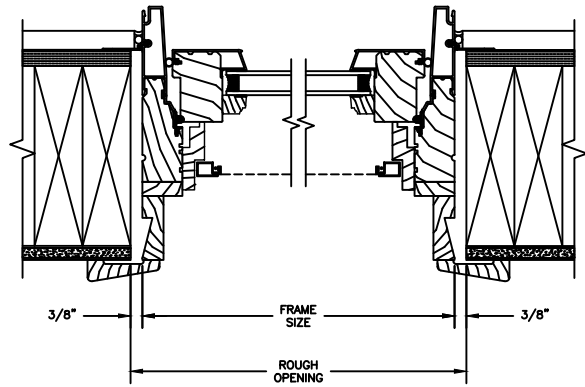
CLAD CASEMENT

SECTION DETAILS : CONSTRUCTION

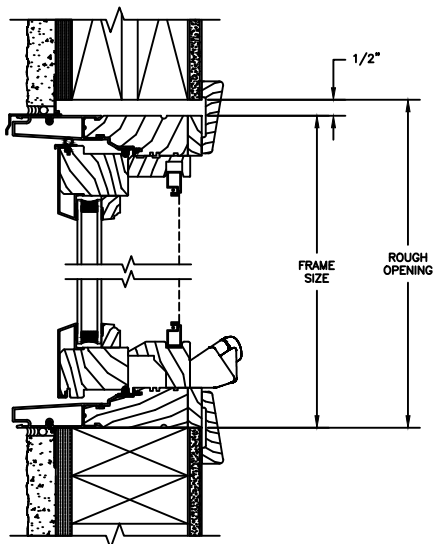
SCALE: 2" = 1'-0"



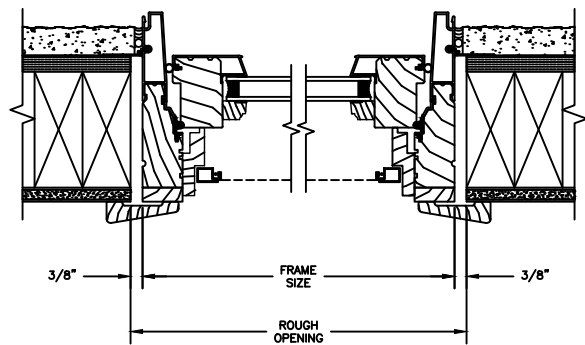
HEAD JAMB & SILL
2 X 6 FRAME WITH SIDING



JAMBS
2 X 6 FRAME WITH SIDING



HEAD JAMB & SILL
2 X 4 FRAME WITH STUCCO



JAMBS
2 X 4 FRAME WITH STUCCO

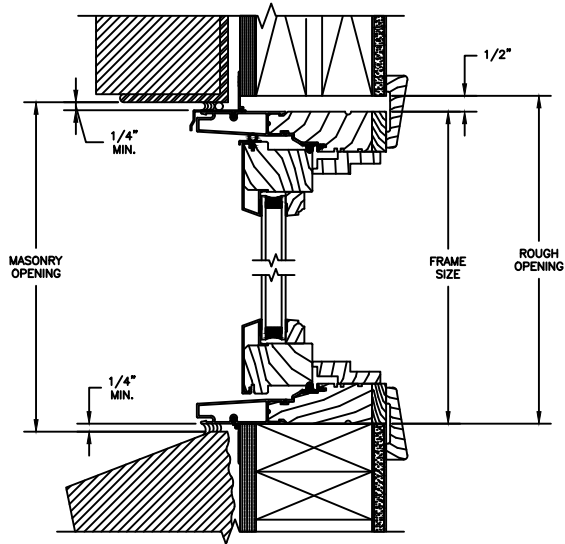
NOTE:
THE ABOVE WALL SECTIONS REPRESENT TYPICAL WALL CONDITIONS, THESE DETAILS ARE NOT INTENDED AS INSTALLATIONS INSTRUCTIONS. PLEASE REFER TO THE INSTALLATION INSTRUCTIONS PROVIDED WITH THE PURCHASED UNITS.

Pinnacle Select Series

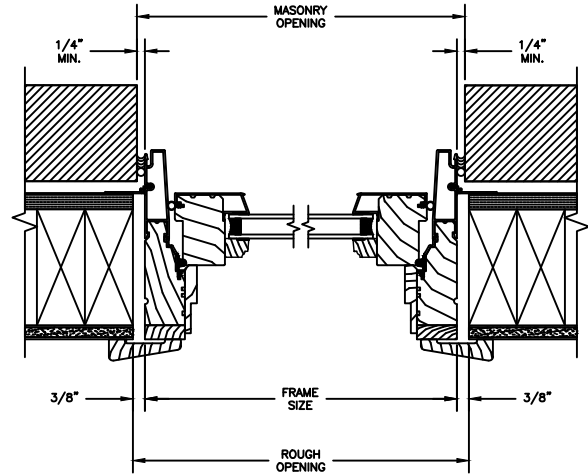
CLAD PUSH-OUT CASEMENT

SECTION DETAILS : CONSTRUCTION

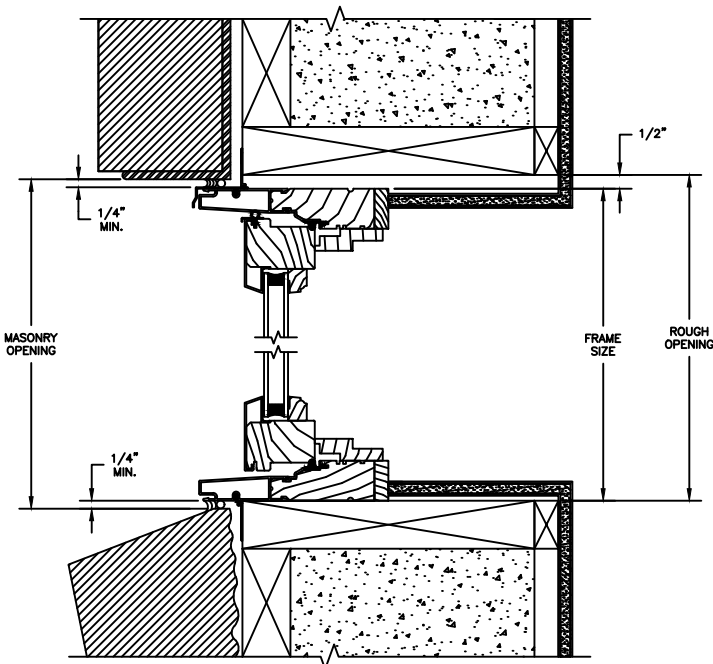
SCALE: 2" = 1'-0"



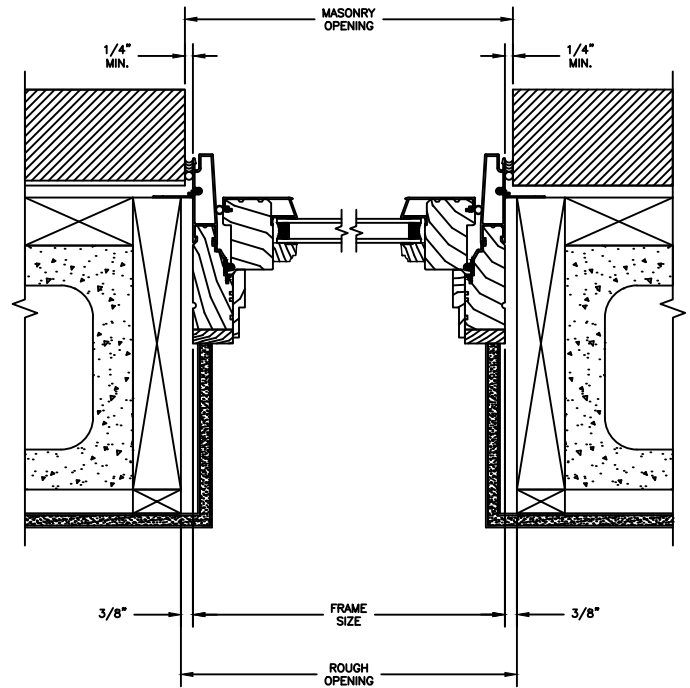
HEAD JAMB & SILL
2 X 4 FRAME WITH BRICK VENEER



JAMBS
2 X 4 FRAME WITH BRICK VENEER



HEAD JAMB & SILL
8" CONCRETE BLOCK WALL
WITH BRICK VENEER



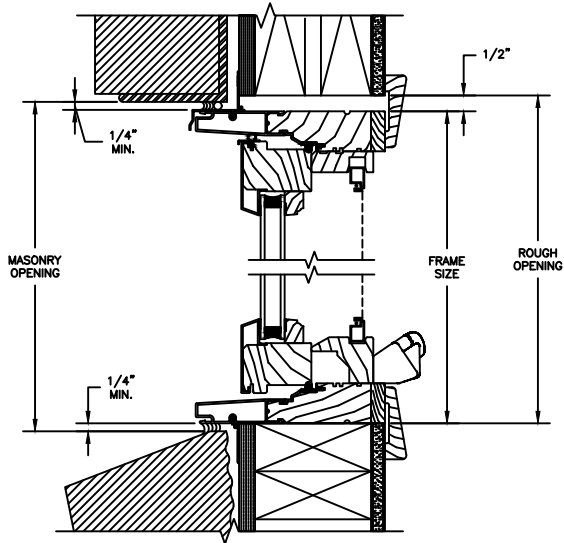
JAMBS
8" CONCRETE BLOCK WALL
WITH BRICK VENEER

Pinnacle Select Series

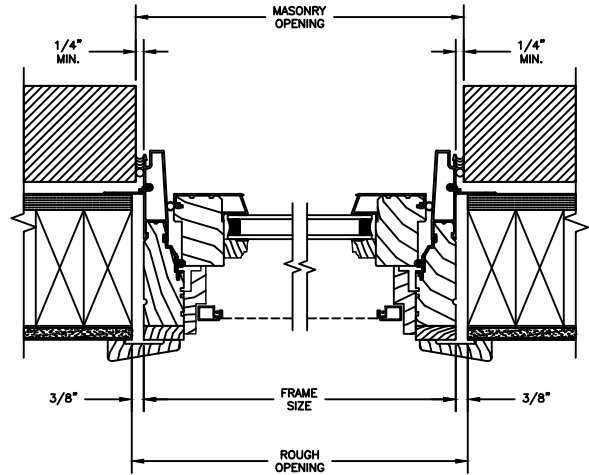
CLAD CASEMENT

SECTION DETAILS : CONSTRUCTION

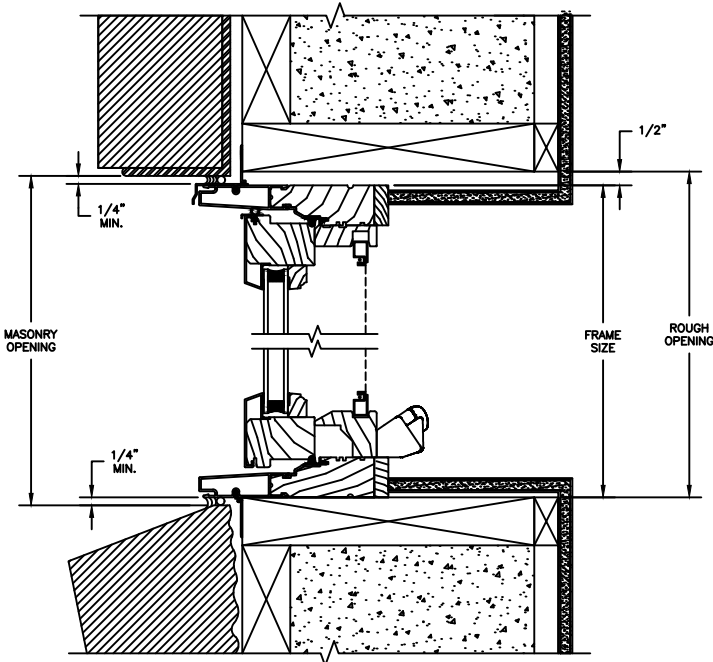
SCALE: 2" = 1'-0"



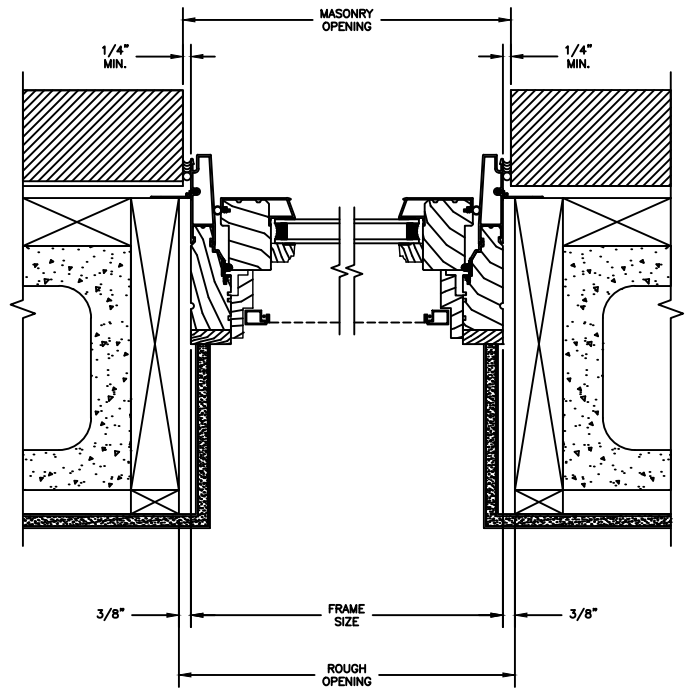
HEAD JAMB & SILL
2 X 4 FRAME WITH BRICK VENEER



JAMBS
2 X 4 FRAME WITH BRICK VENEER



HEAD JAMB & SILL
8" CONCRETE BLOCK WALL
WITH BRICK VENEER



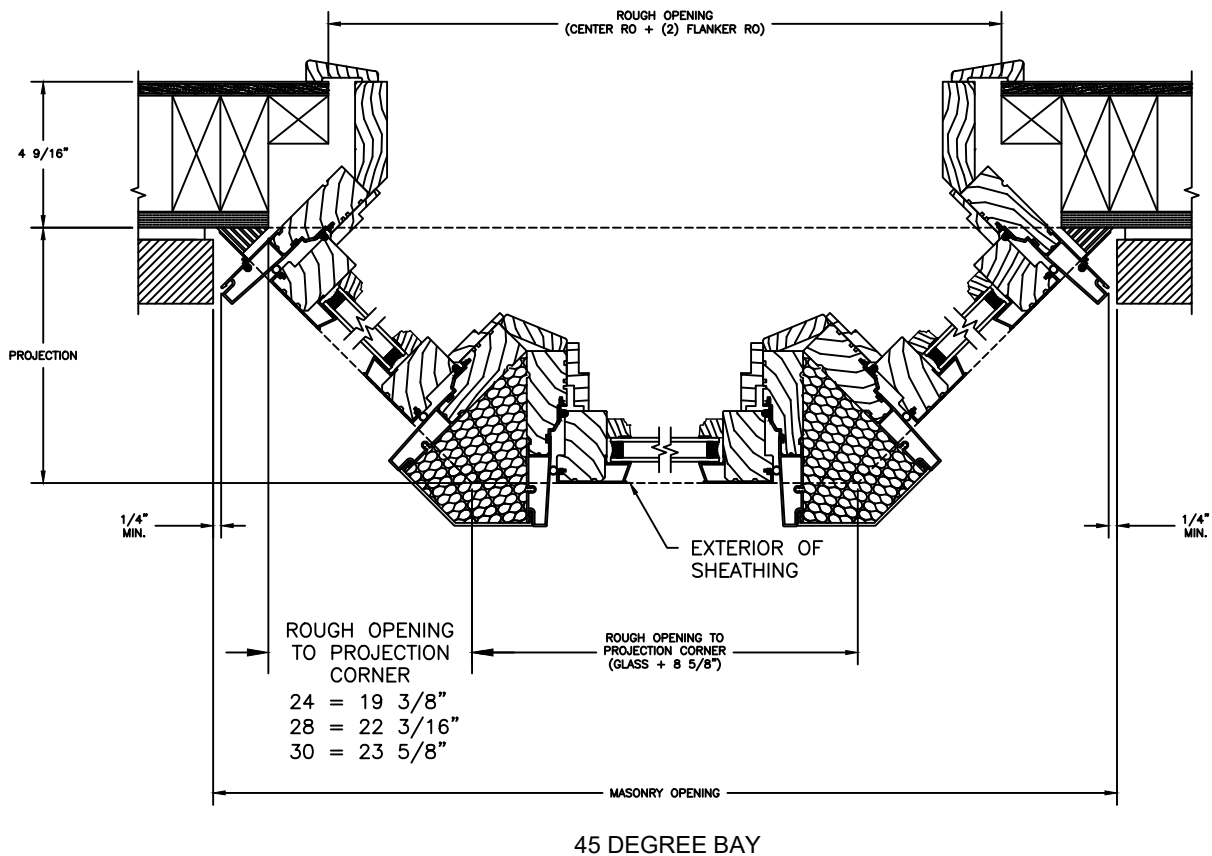
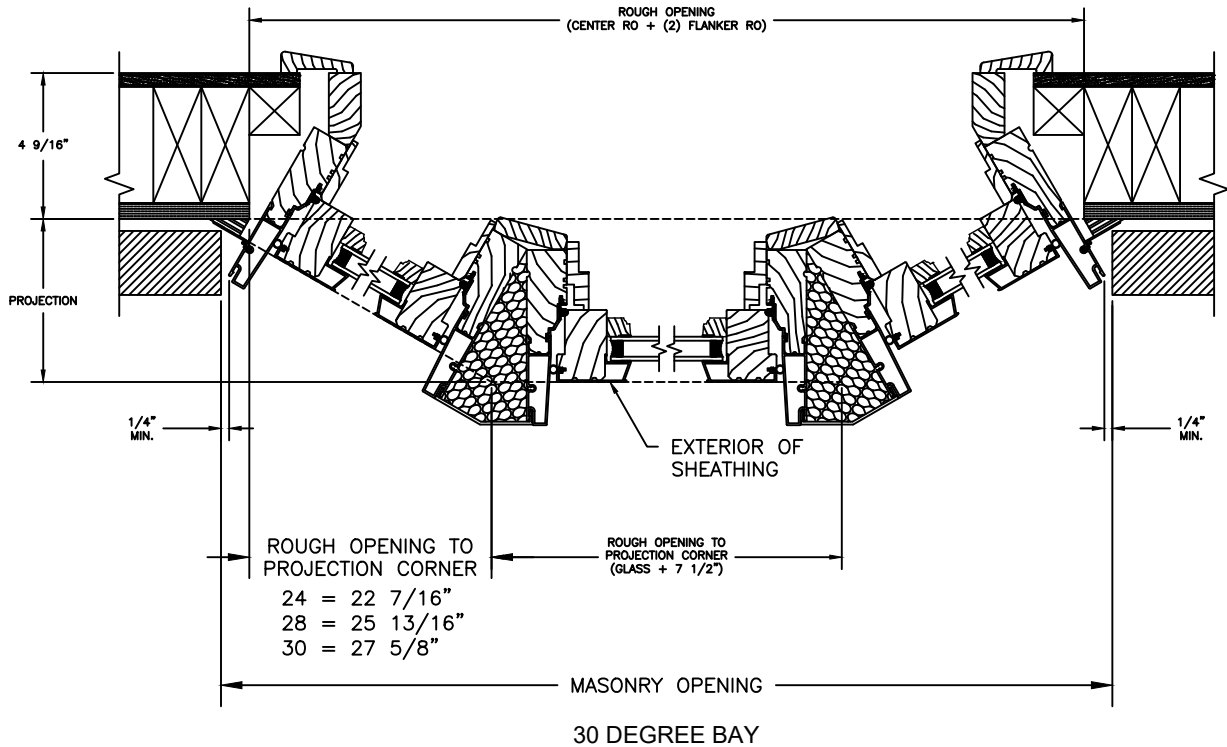
JAMBS
8" CONCRETE BLOCK WALL
WITH BRICK VENEER

Pinnacle Select Series

CLAD PUSH-OUT CASEMENT

SECTION DETAILS : 30/45 DEGREES BAY

SCALE: 2" = 1'-0"

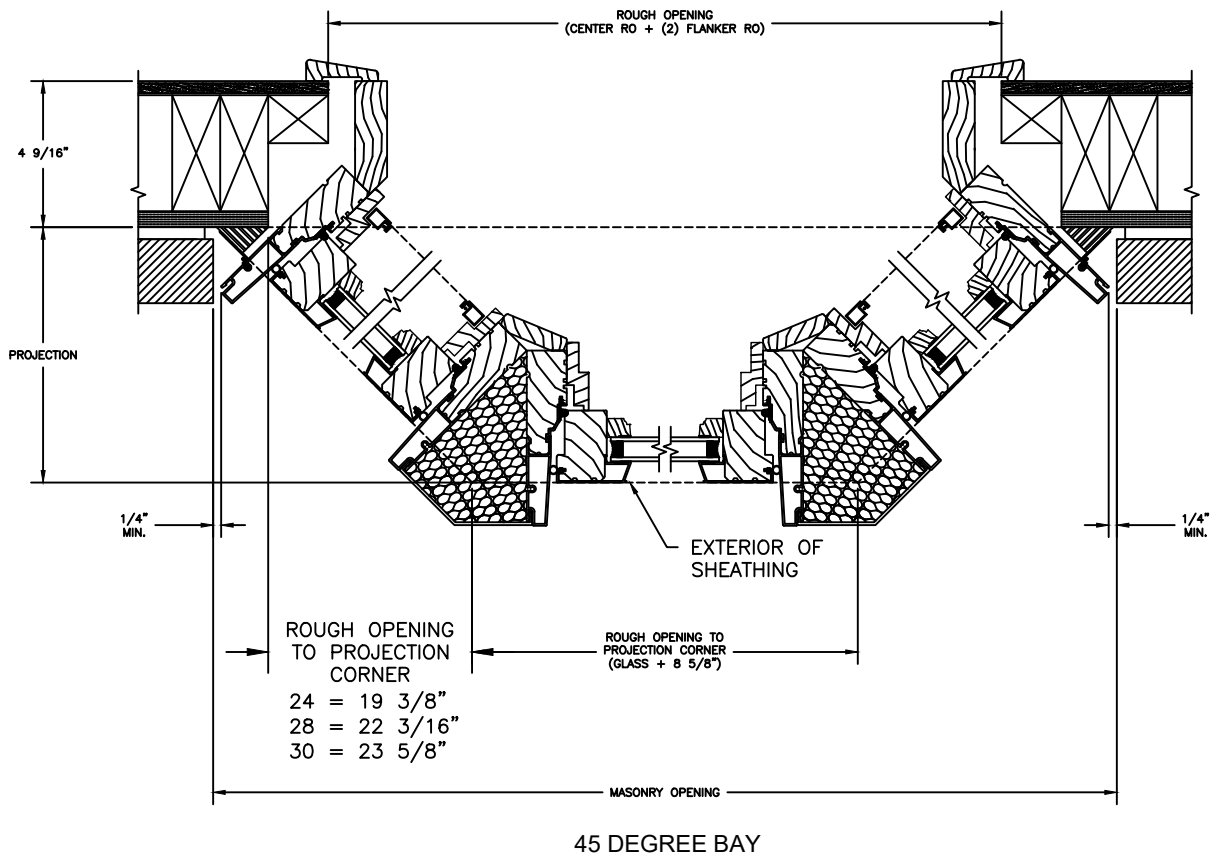
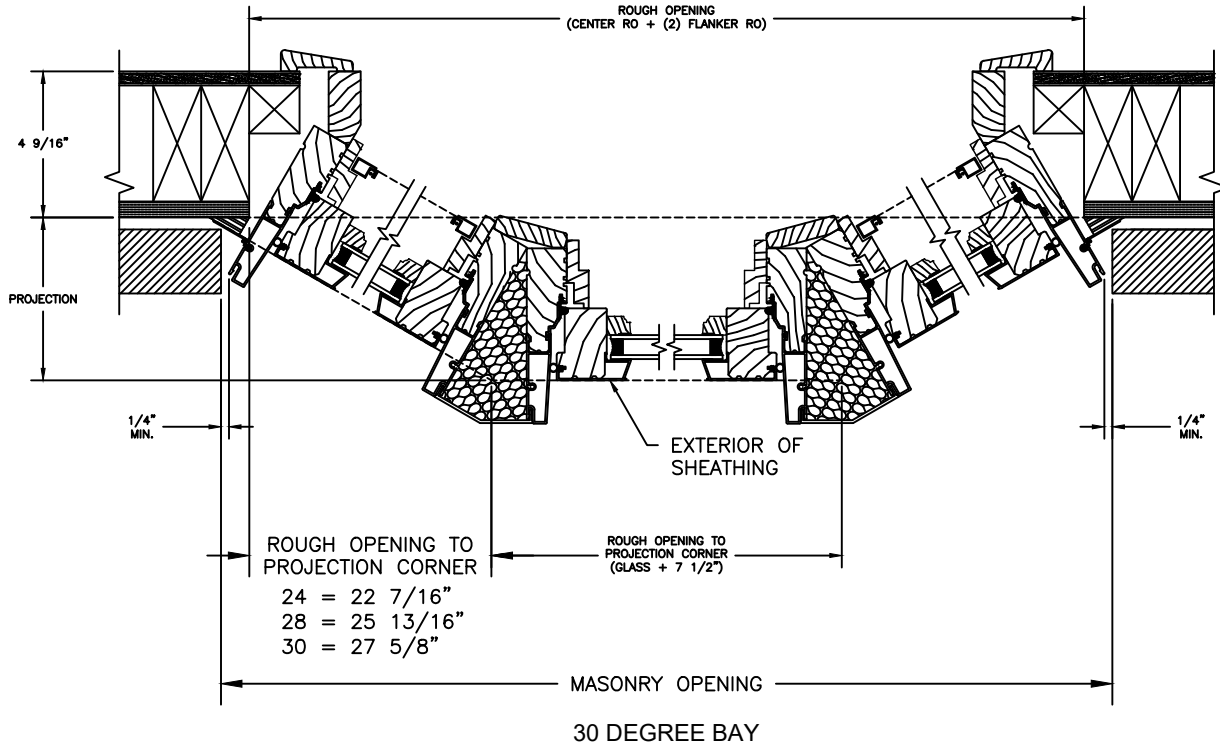


Pinnacle Select Series

CLAD CASEMENT

SECTION DETAILS : 30/45 DEGREES BAY

SCALE: 2" = 1'-0"

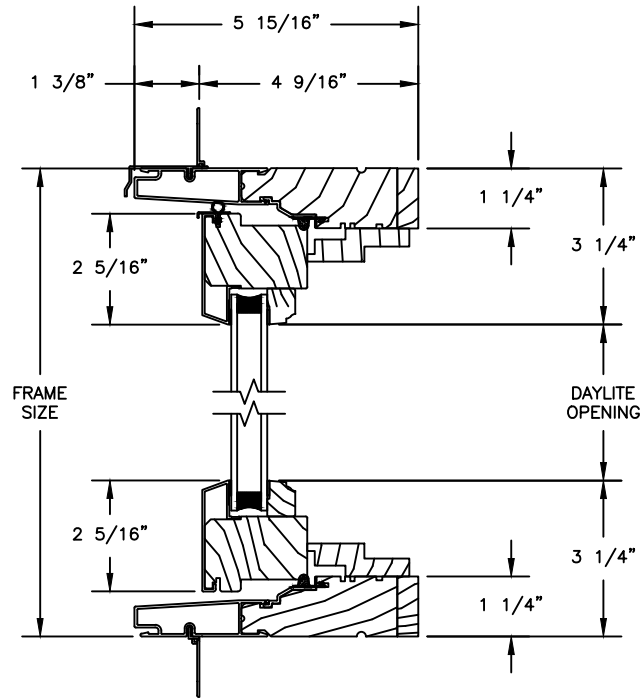


Pinnacle Select Series

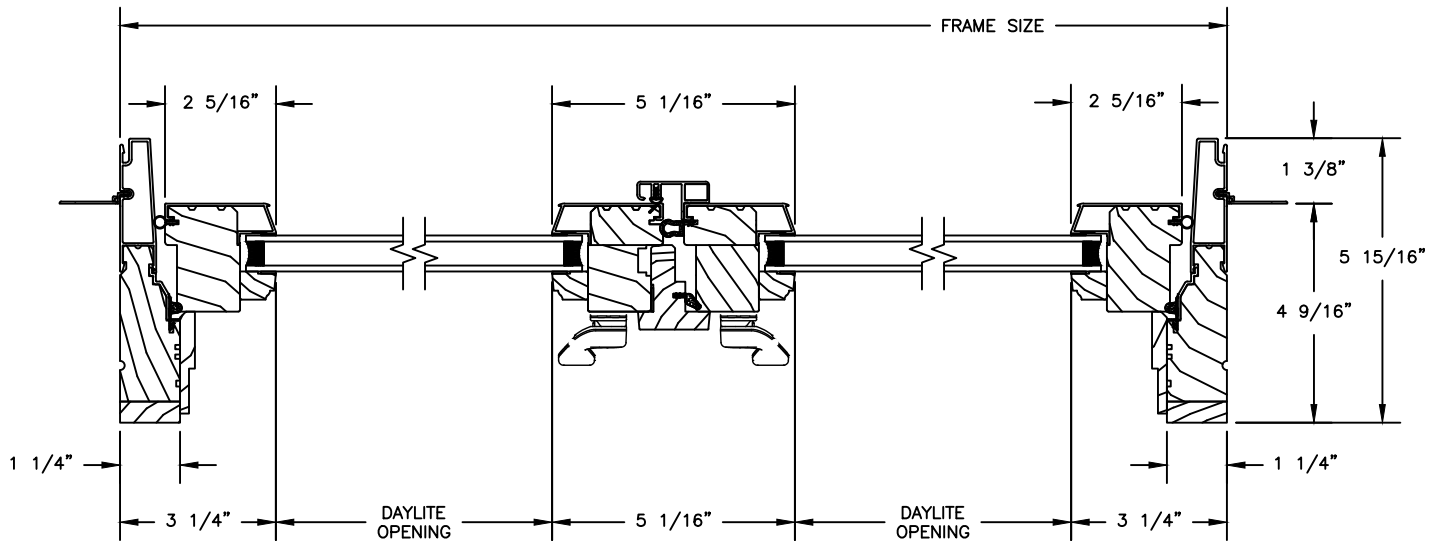
CLAD FRENCH PUSH-OUT CASEMENT

SECTION DETAILS : OPERATING

SCALE: 3" = 1'-0"



HEAD JAMB & SILL



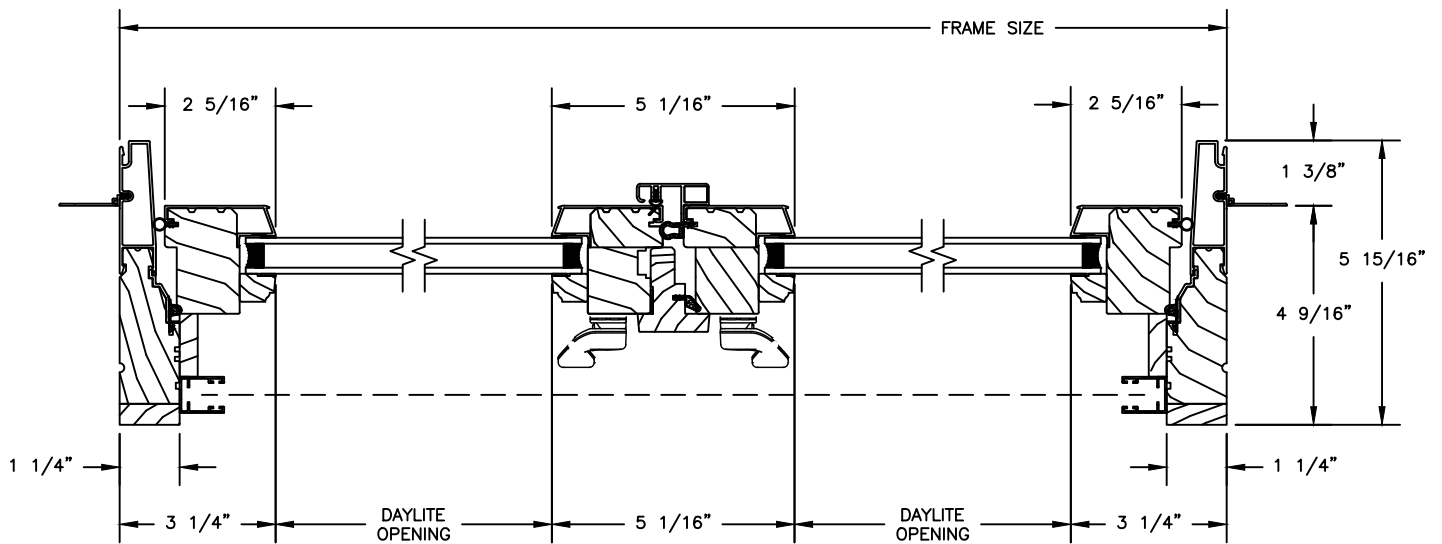
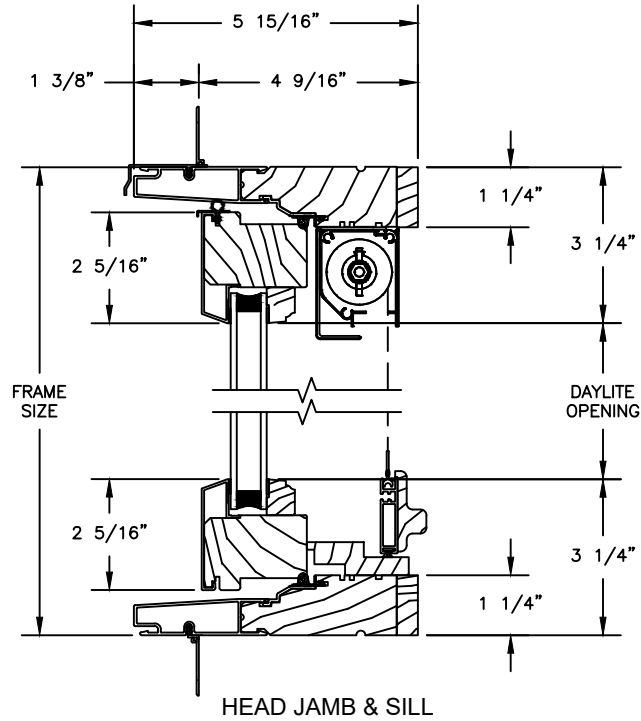
JAMBS

Pinnacle Select Series

CLAD FRENCH PUSH-OUT CASEMENT

SECTION DETAILS : OPERATING
 SCALE: 3" = 1'-0"

PUSH-OUT WITH RETRACTABLE SCREEN

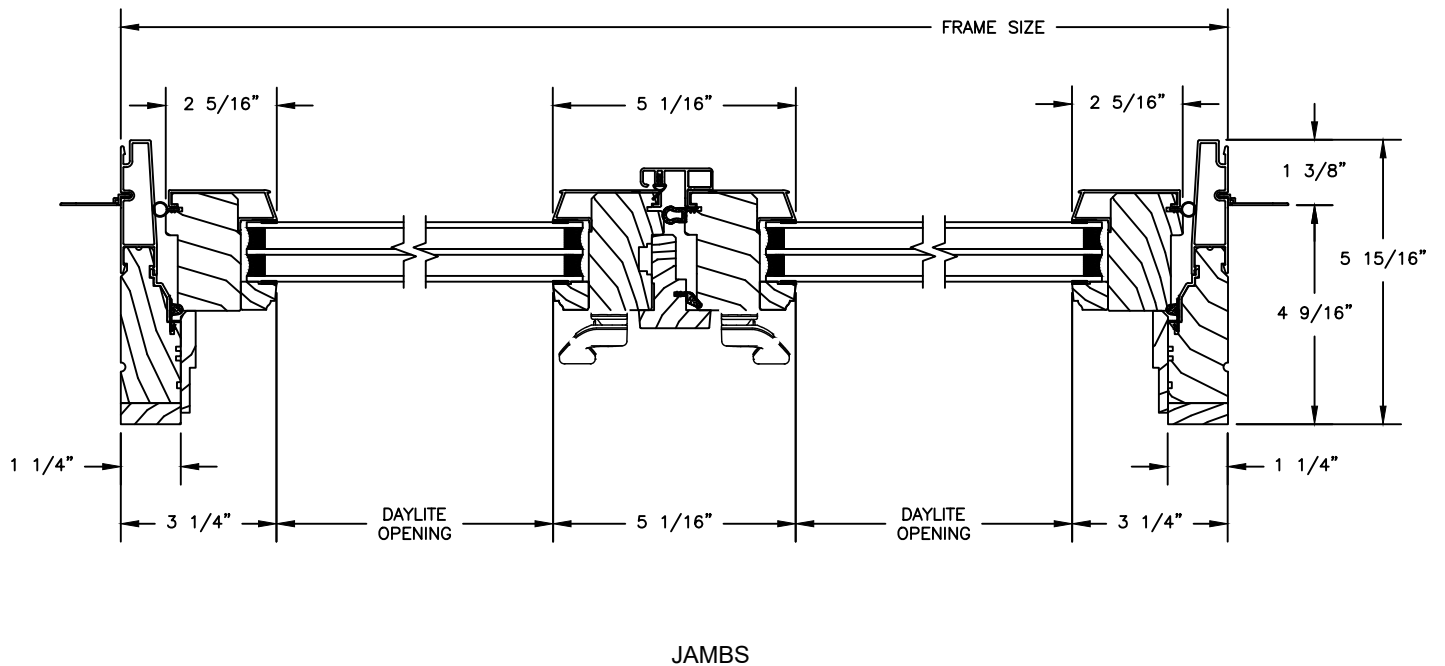
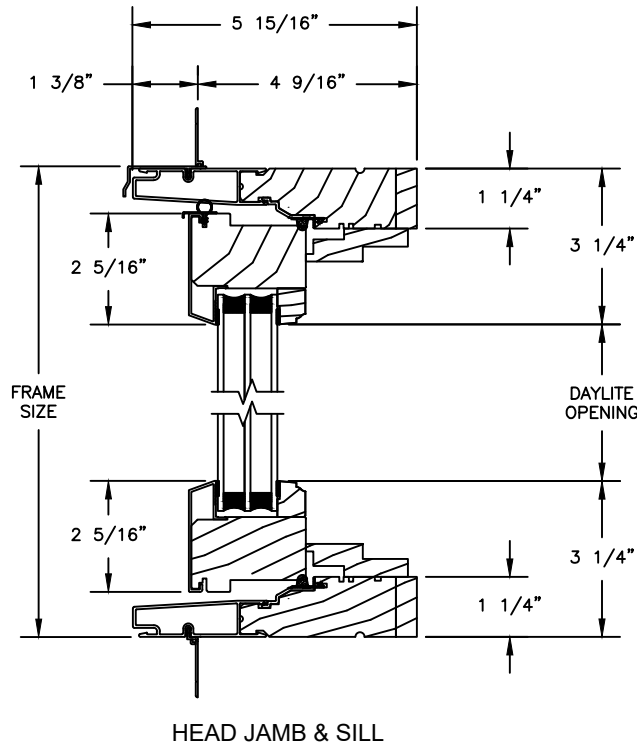


JAMBS

Pinnacle Select Series

CLAD FRENCH PUSH-OUT CASEMENT

SECTION DETAILS : 1 1/4" TRIPLE IG OPERATING

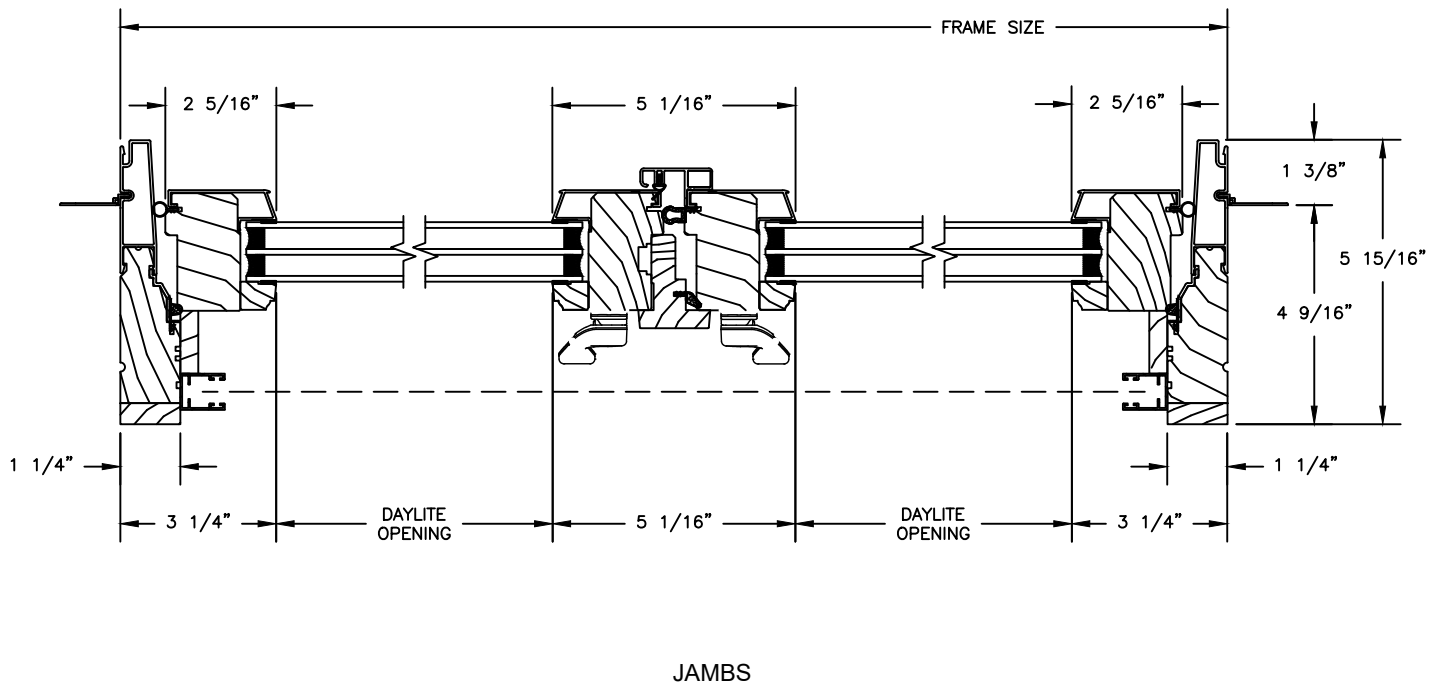
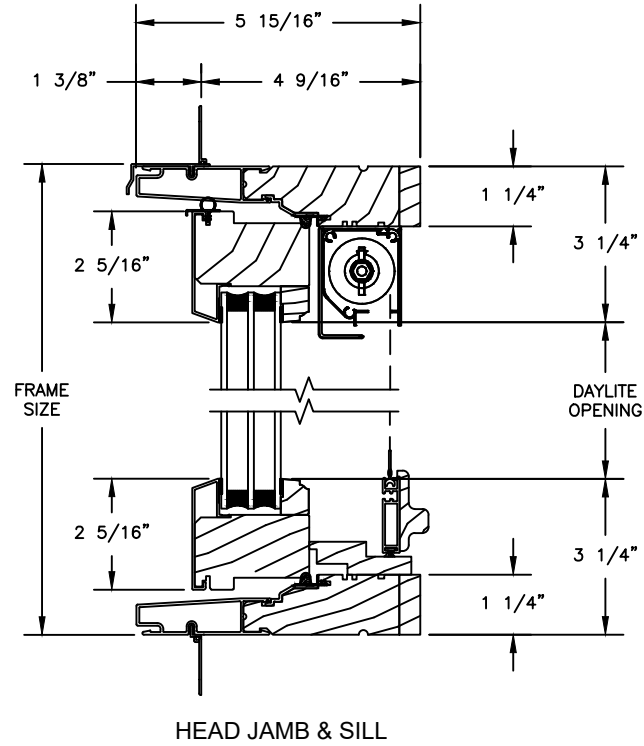


Pinnacle Select Series

CLAD FRENCH PUSH-OUT CASEMENT

SECTION DETAILS : 1 1/4" TRIPLE IG OPERATING

PUSH-OUT WITH RETRACTABLE SCREEN

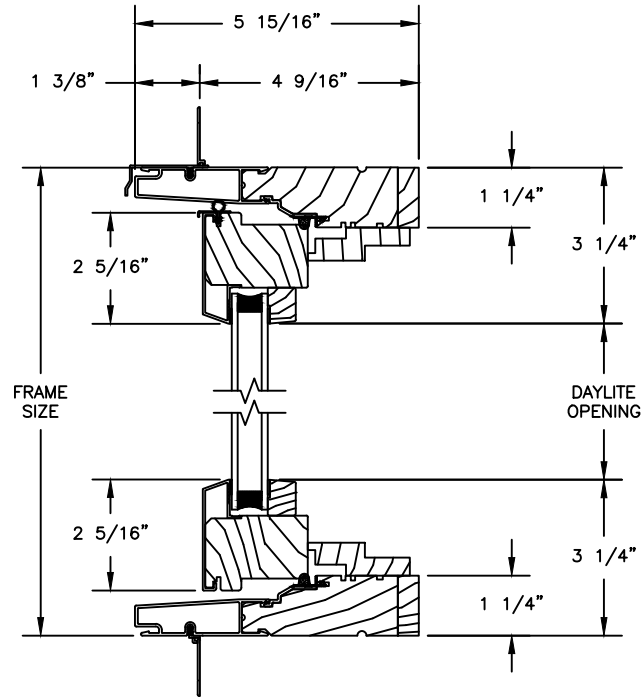


Pinnacle Select Series

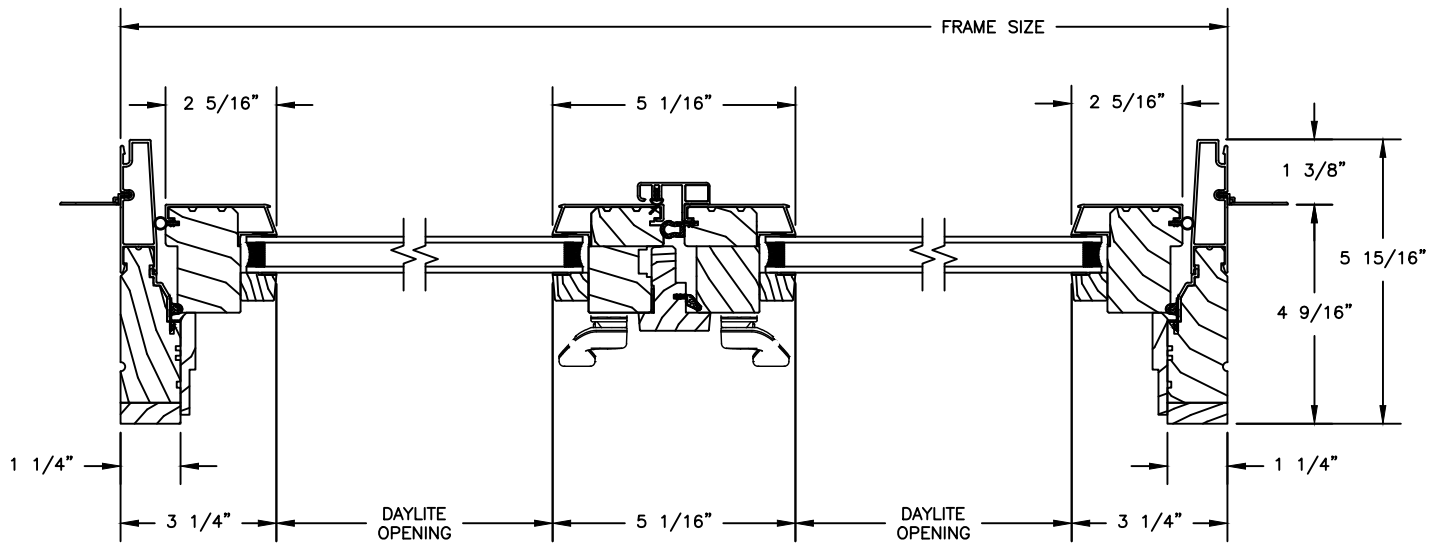
CLAD FRENCH PUSH-OUT CASEMENT

SECTION DETAILS : OPERATING WITH CONTEMPORARY STOPS

SCALE: 3" = 1'-0"



HEAD JAMB & SILL



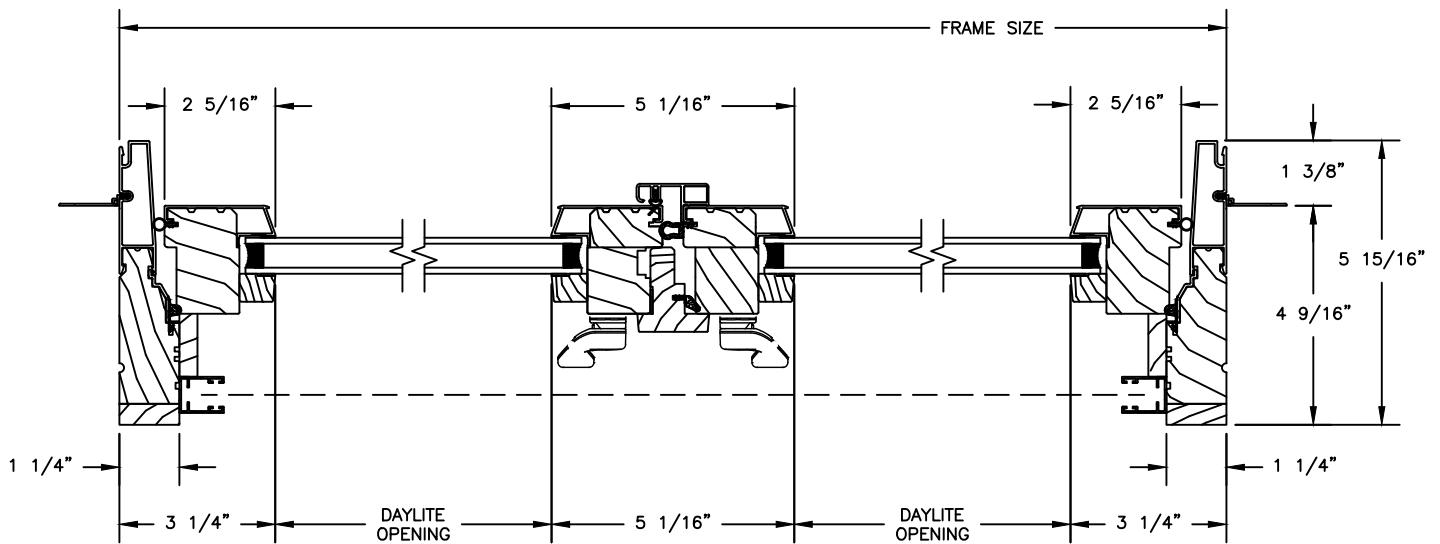
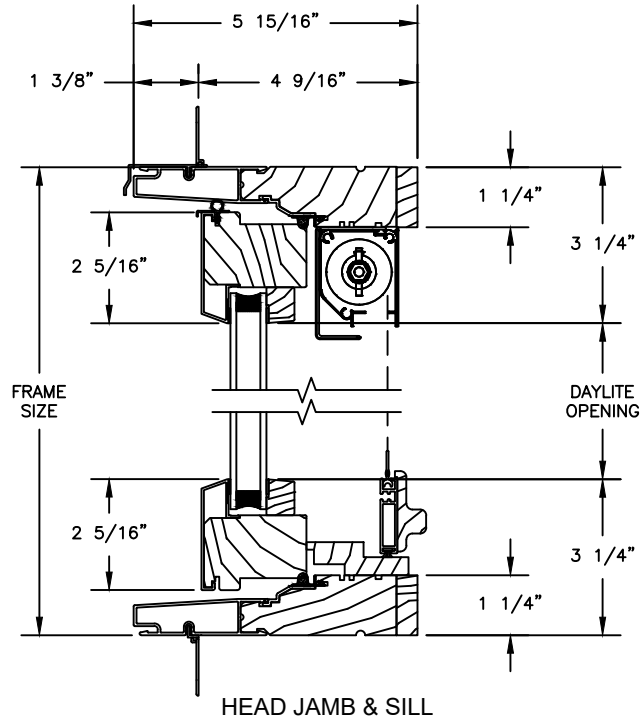
JAMBS

Pinnacle Select Series

CLAD FRENCH PUSH-OUT CASEMENT

SECTION DETAILS : OPERATING WITH CONTEMPORARY STOPS
SCALE: 3" = 1'-0"

PUSH-OUT WITH RETRACTABLE SCREEN

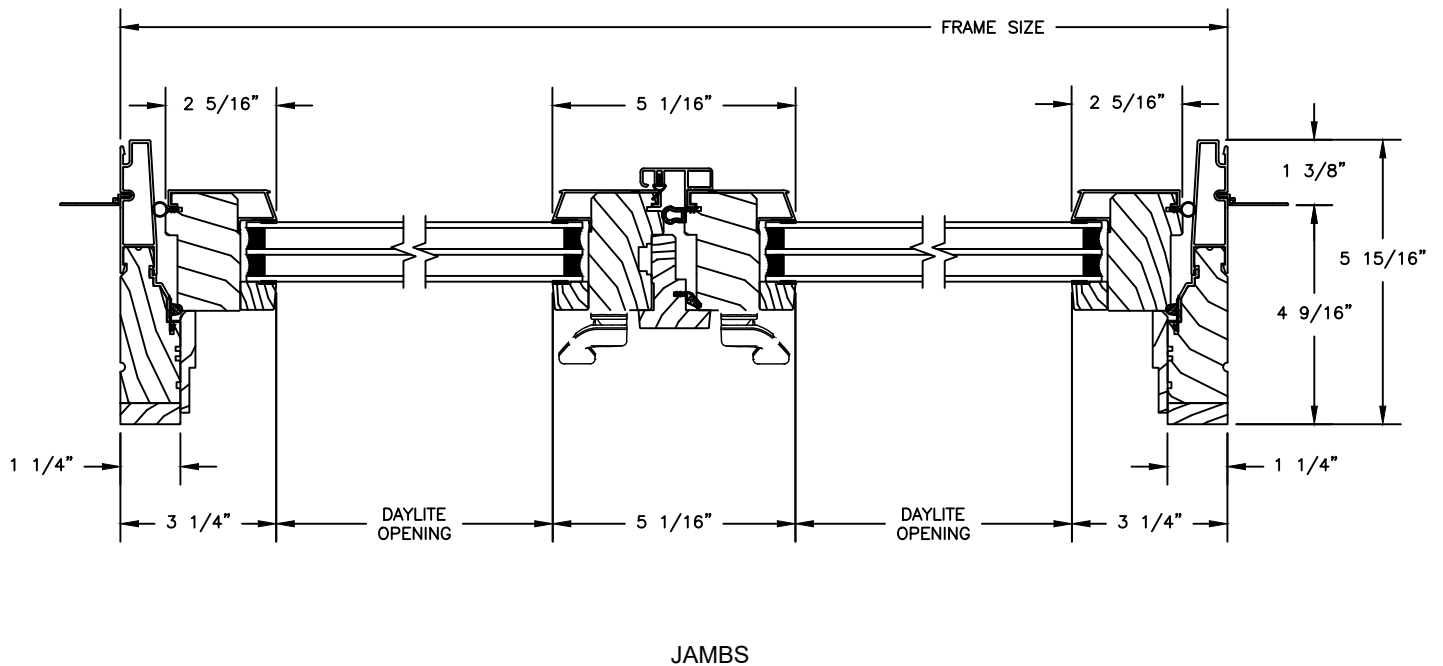
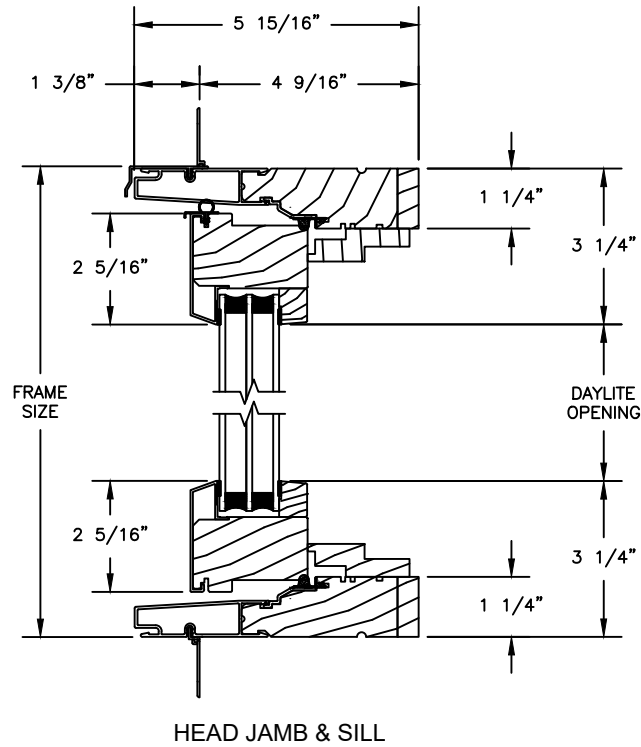


JAMBS

Pinnacle Select Series

CLAD FRENCH PUSH-OUT CASEMENT

SECTION DETAILS : 1 1/4" TRIPLE IG OPERATING WITH CONTEMPORARY STOPS

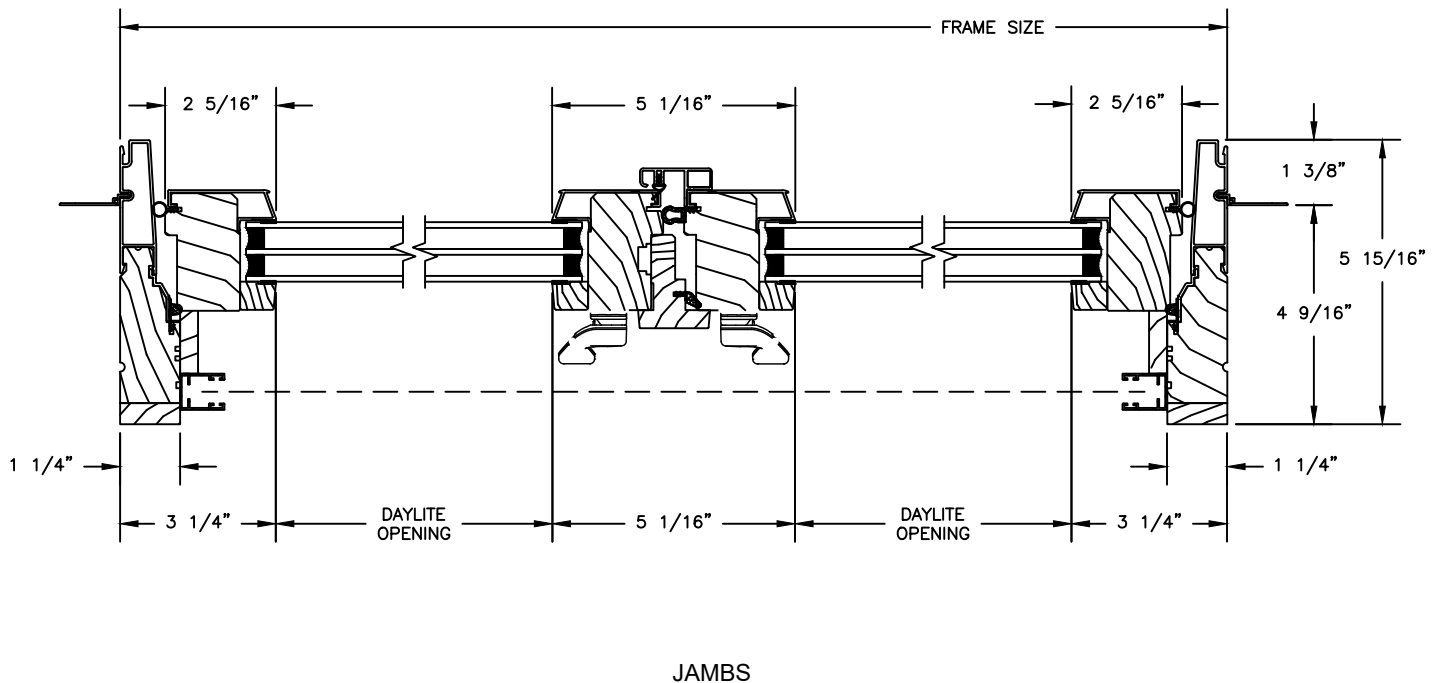
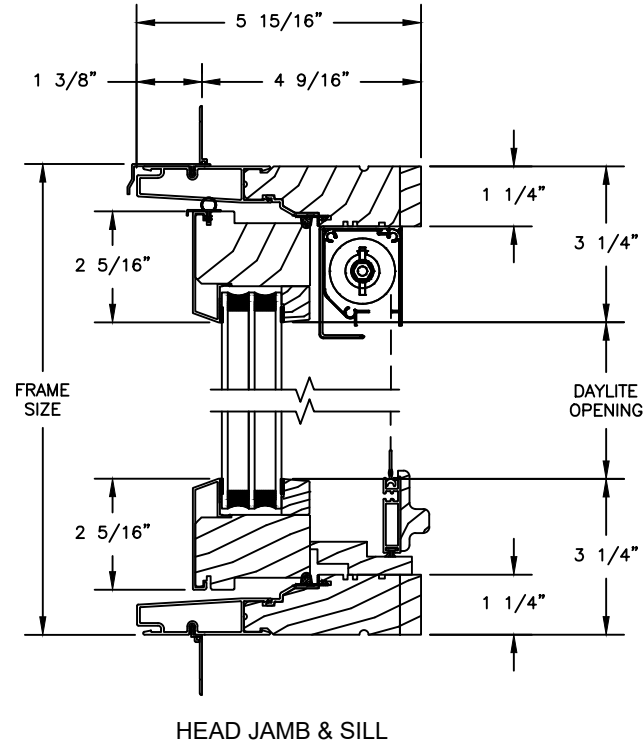


Pinnacle Select Series

CLAD FRENCH PUSH-OUT CASEMENT

SECTION DETAILS : 1 1/4" TRIPLE IG OPERATING WITH CONTEMPORARY STOPS

PUSH-OUT WITH RETRACTABLE SCREEN

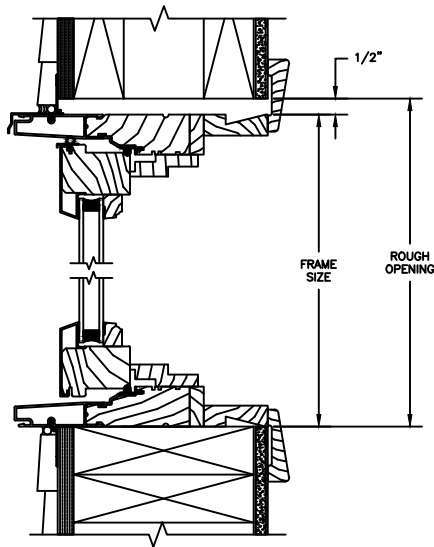


Pinnacle Select Series

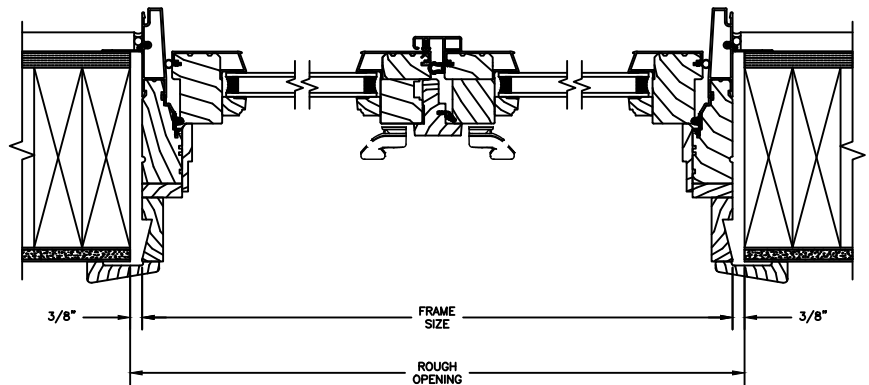
CLAD PUSH-OUT CASEMENT

SECTION DETAILS : CONSTRUCTION

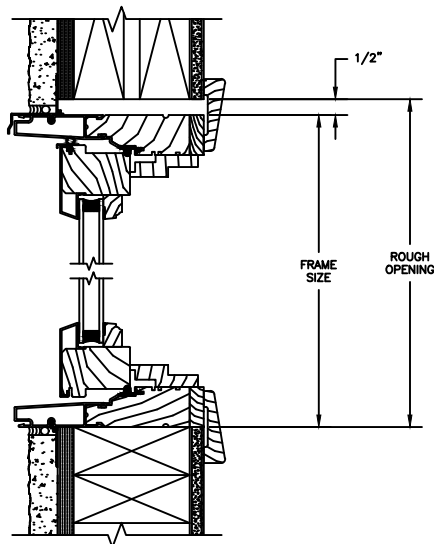
SCALE: 2" = 1'-0"



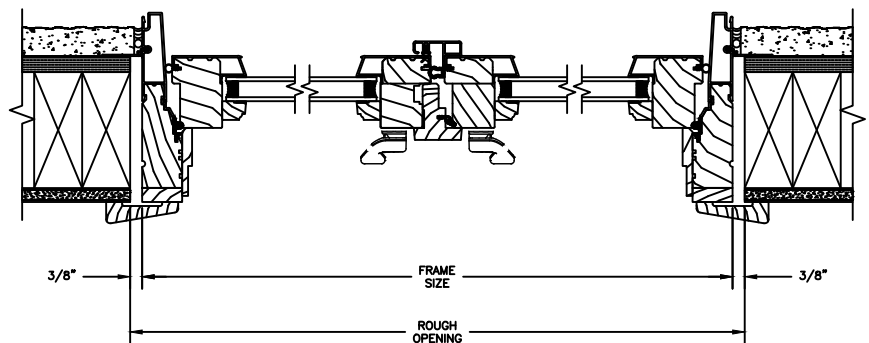
HEAD JAMB & SILL
2 X 6 FRAME WITH SIDING



JAMBS
2 X 6 FRAME WITH SIDING



HEAD JAMB & SILL
2 X 4 FRAME WITH STUCCO



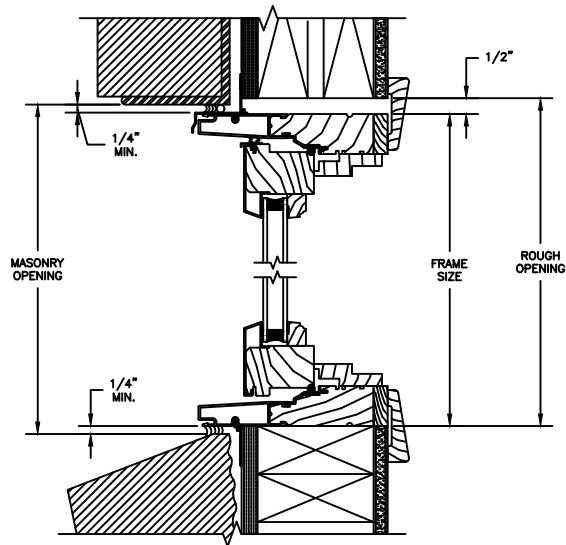
JAMBS
2 X 4 FRAME WITH STUCCO

NOTE:
THE ABOVE WALL SECTIONS REPRESENT TYPICAL WALL CONDITIONS, THESE DETAILS ARE NOT INTENDED AS INSTALLATIONS INSTRUCTIONS. PLEASE REFER TO THE INSTALLATION INSTRUCTIONS PROVIDED WITH THE PURCHASED UNITS.

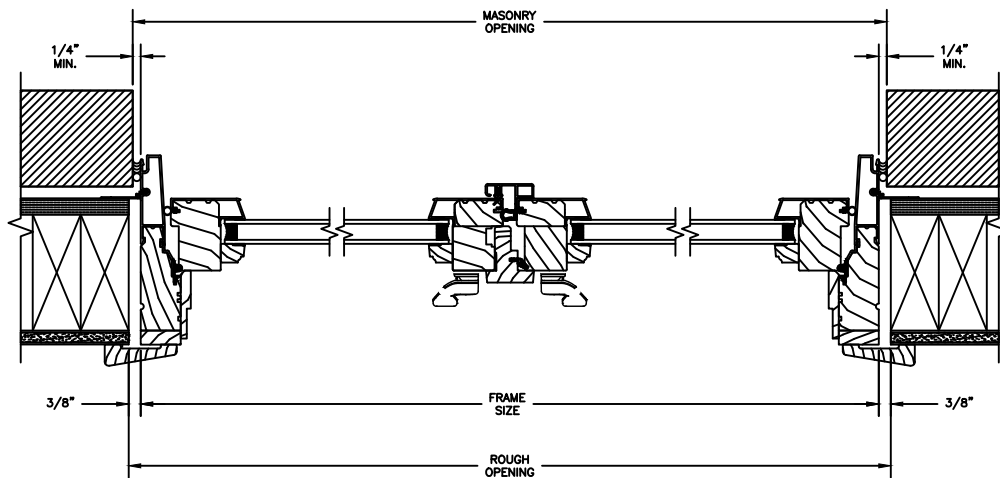
Pinnacle Select Series

CLAD PUSH-OUT CASEMENT

SECTION DETAILS : CONSTRUCTION
SCALE: 2" = 1'-0"



HEAD JAMB & SILL
2 X 4 FRAME WITH BRICK VENEER



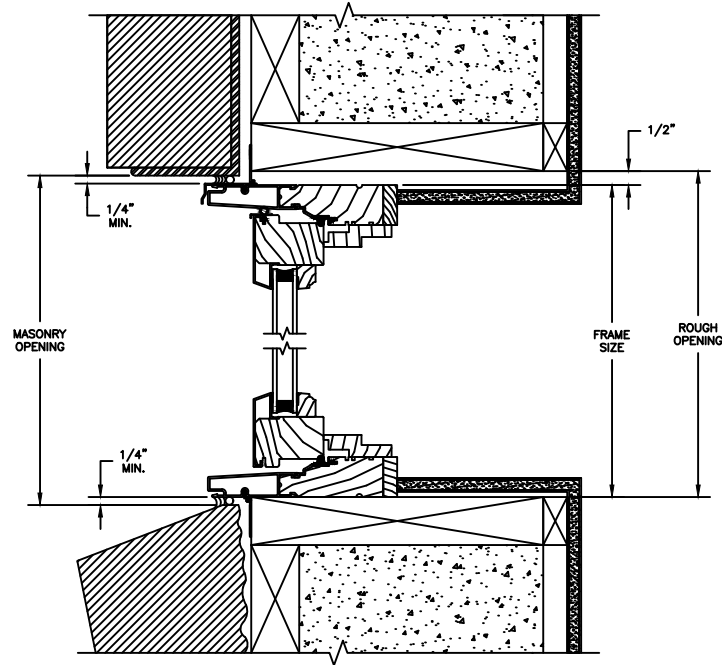
JAMBS
2 X 4 FRAME WITH BRICK VENEER

Pinnacle Select Series

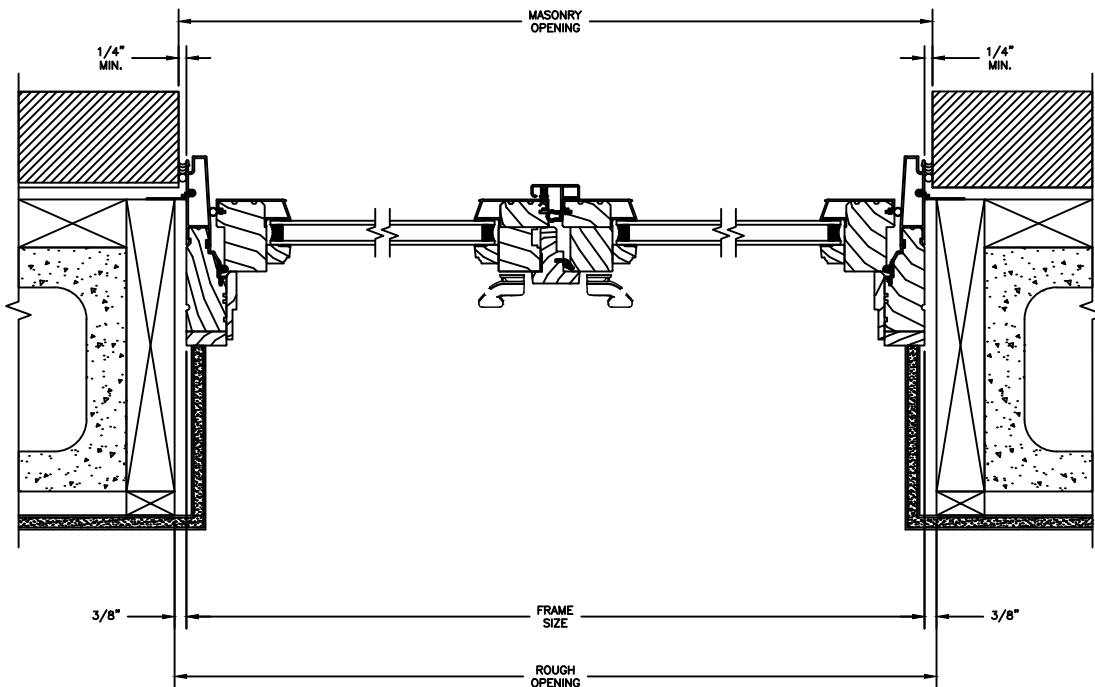
CLAD PUSH-OUT CASEMENT

SECTION DETAILS : CONSTRUCTION

SCALE: 2" = 1'-0"



HEAD JAMB & SILL
8" CONCRETE BLOCK WALL
WITH BRICK VENEER



JAMBS
8" CONCRETE BLOCK WALL
WITH BRICK VENEER