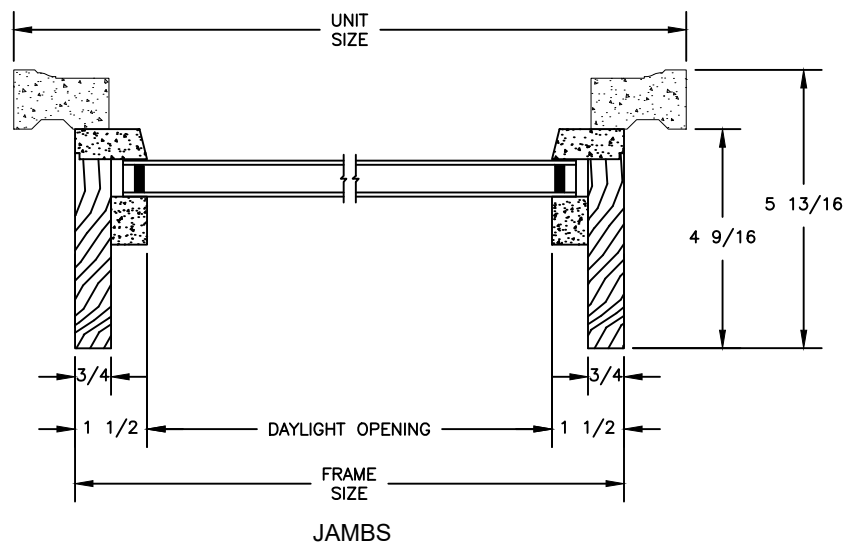
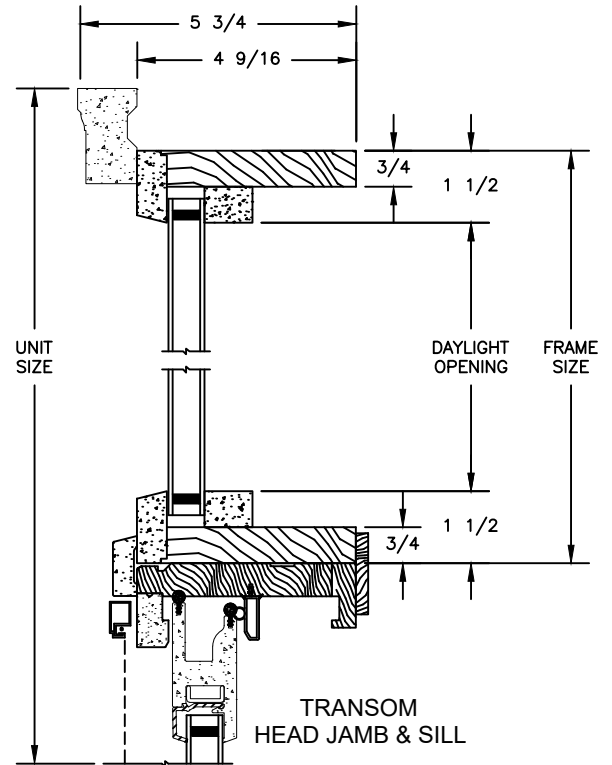
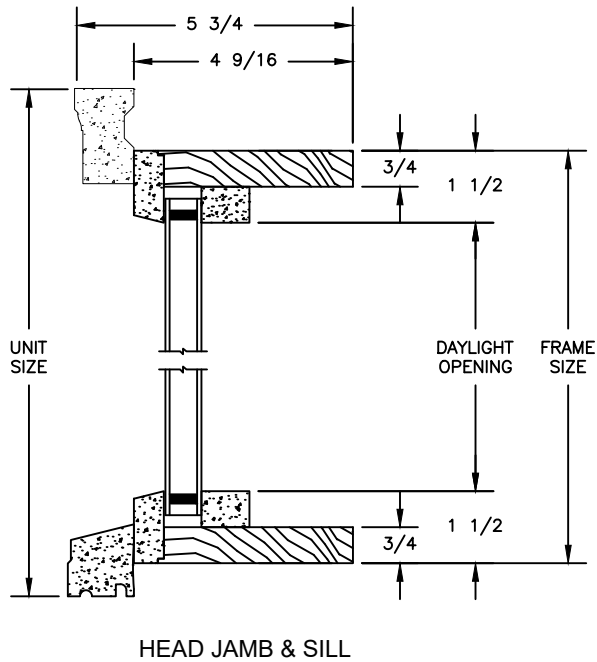


Legend Series

LEGEND DIRECT SET - DIRECT GLAZE

SECTION DETAILS: DIRECT GLAZE

SCALE: 3" = 1'-0"



NOTES:

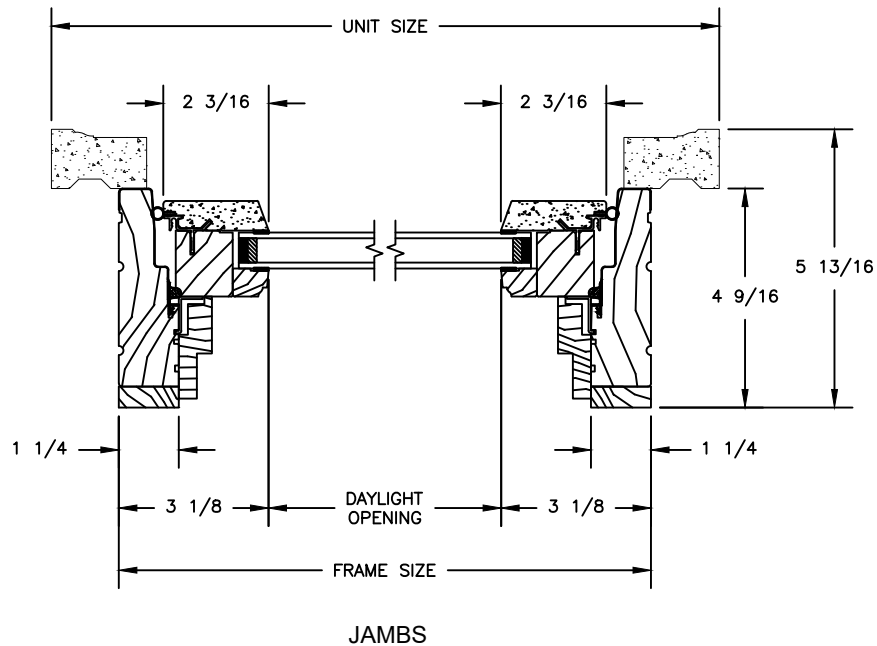
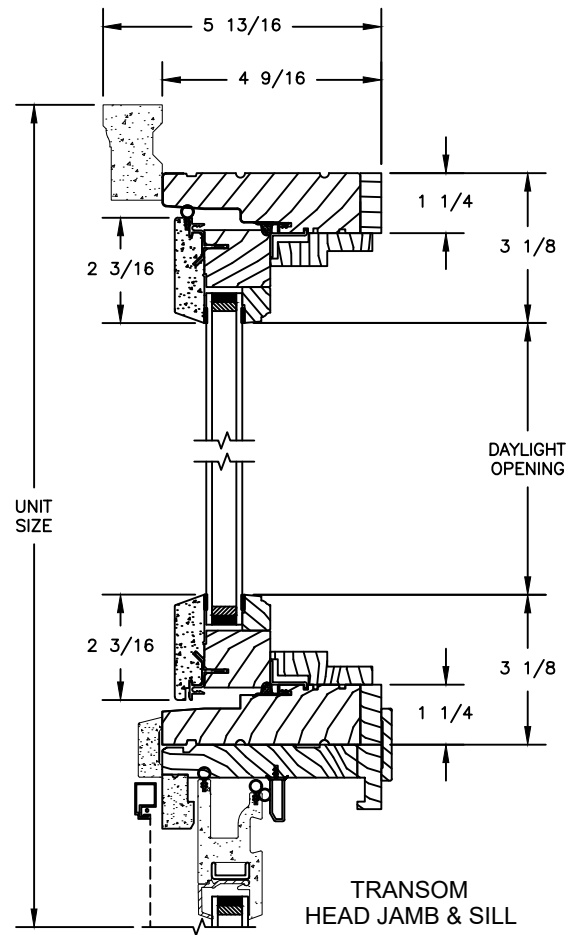
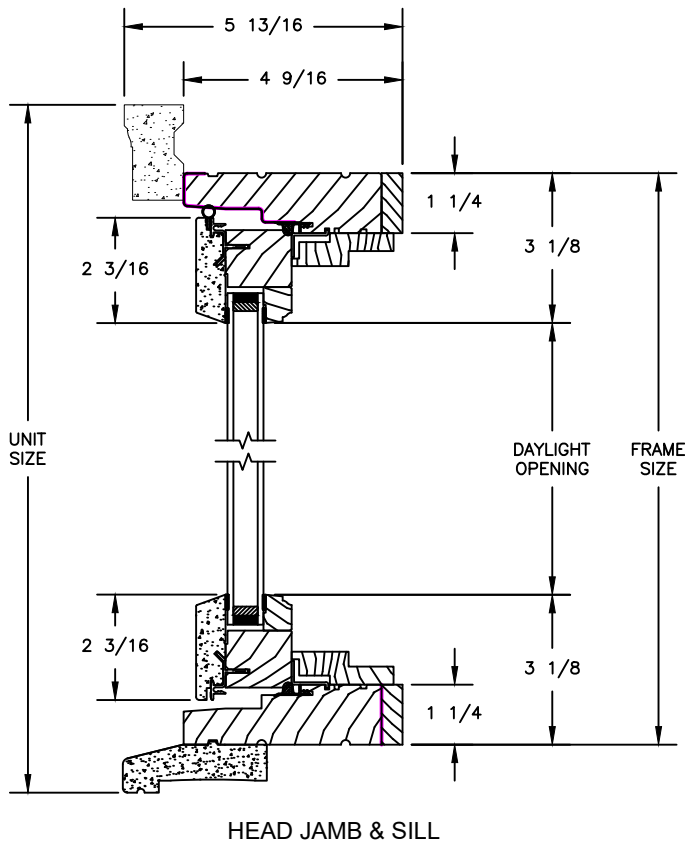
1. FOR RECTANGULAR, TRAPEZOID, AND PENTOID UNITS, THE RELATIONSHIP BETWEEN GLASS SIZE, FRAME DIMENSION, ROUGH OPENING AND UNIT DIMENSION IS AS SHOWN ABOVE.
2. ALL OTHER DIMENSIONAL RELATIONSHIPS, INCLUDING HEIGHTS OF TRAPEZOIDS AND PENTOIDS, AND WIDTHS AND HEIGHTS OF TRIANGLES, AND OCTAGONS DEPEND UPON THE INCLUSIVE ANGLES, AND MUST BE CALCULATED SEPARATELY FOR EACH UNIT.

Legend Series

LEGEND IN-SASH DIRECT SET

SECTION DETAILS

SCALE: 3" = 1'-0"

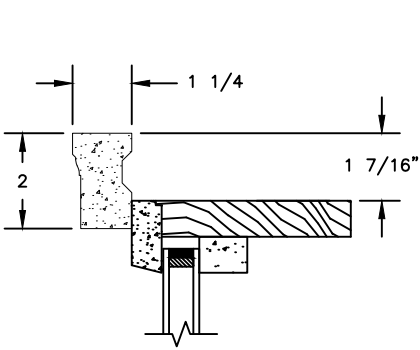


Legend Series

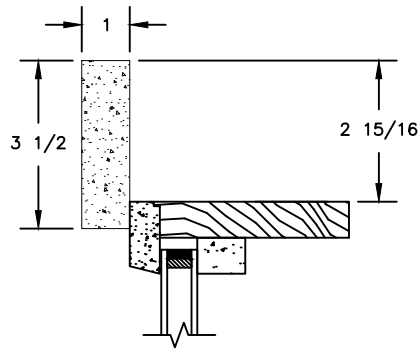
LEGEND DIRECT SET

SECTION DETAILS : CASING OPTIONS

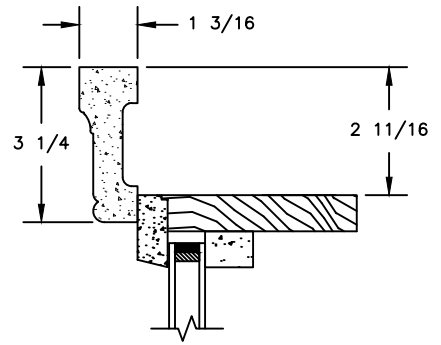
SCALE: 3" = 1'-0"



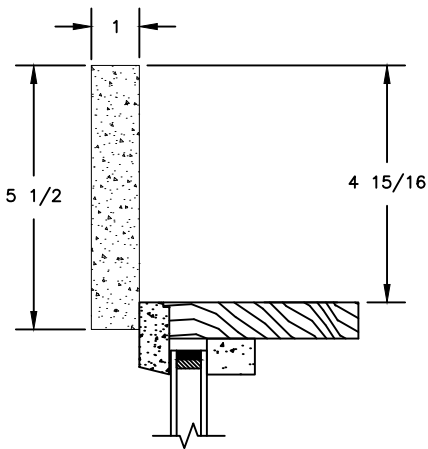
HEAD JAMB WITH
STANDARD 180 BRICKMOULD



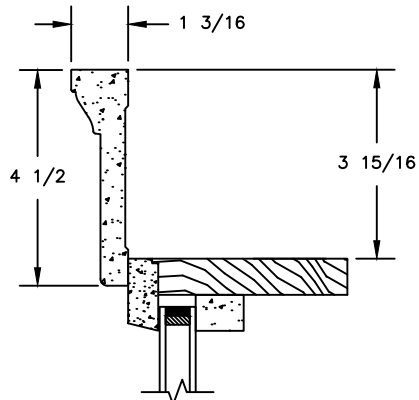
HEAD JAMB WITH
3 1/2" FLAT CASING



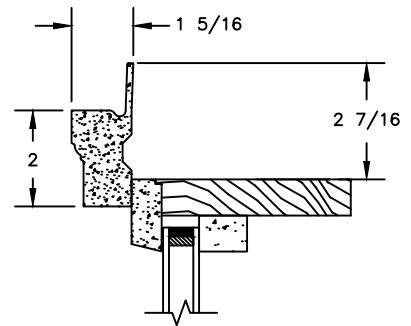
HEAD JAMB WITH
WILLIAMSBURG BRICKMOULD



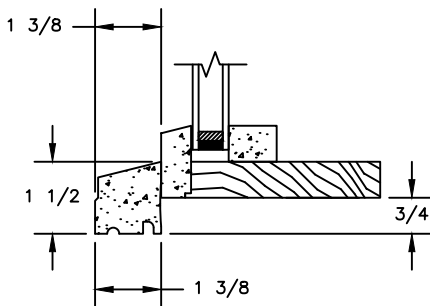
HEAD JAMB WITH
5 1/2" FLAT CASING



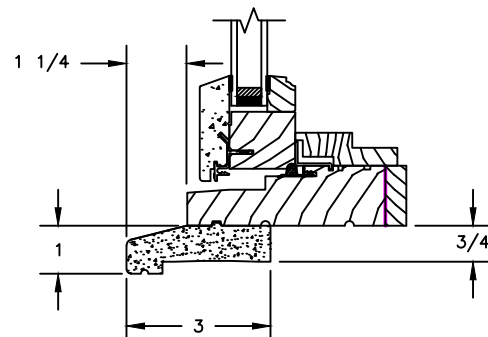
HEAD JAMB WITH
4 1/2" BACKBAND



HEAD JAMB WITH
180 FLANGED BRICKMOULD



DIRECT GLAZE SILL WITH
STANDARD SILLNOSE

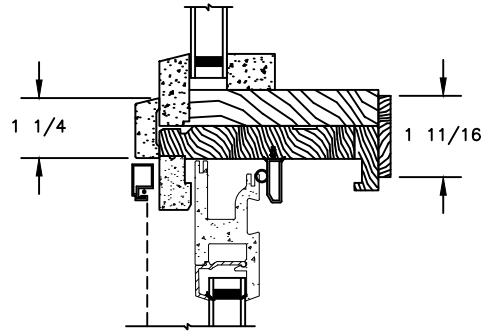


IN-SASH SILL WITH
STANDARD SUBSILL

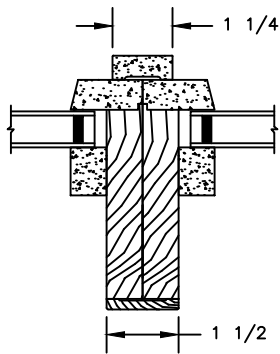
Legend Series

LEGEND DIRECT SET

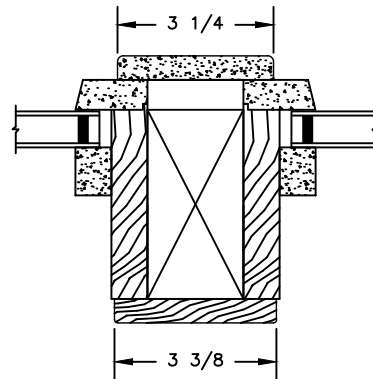
SECTION DETAILS : MULLIONS
SCALE: 3" = 1'-0"



HORIZONTAL MULLION



VERTICAL MULLION



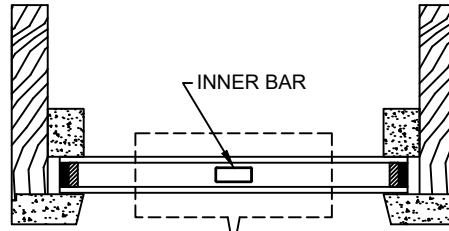
VERTICAL MULLION WITH
2" SPREAD MULL
ADDITIONAL WIDTHS INCLUDE:
1" - 5"

Legend Series

LEGEND DIRECT SET - DIRECT GLAZE



SECTION DETAILS : DIVIDED LITE OPTIONS

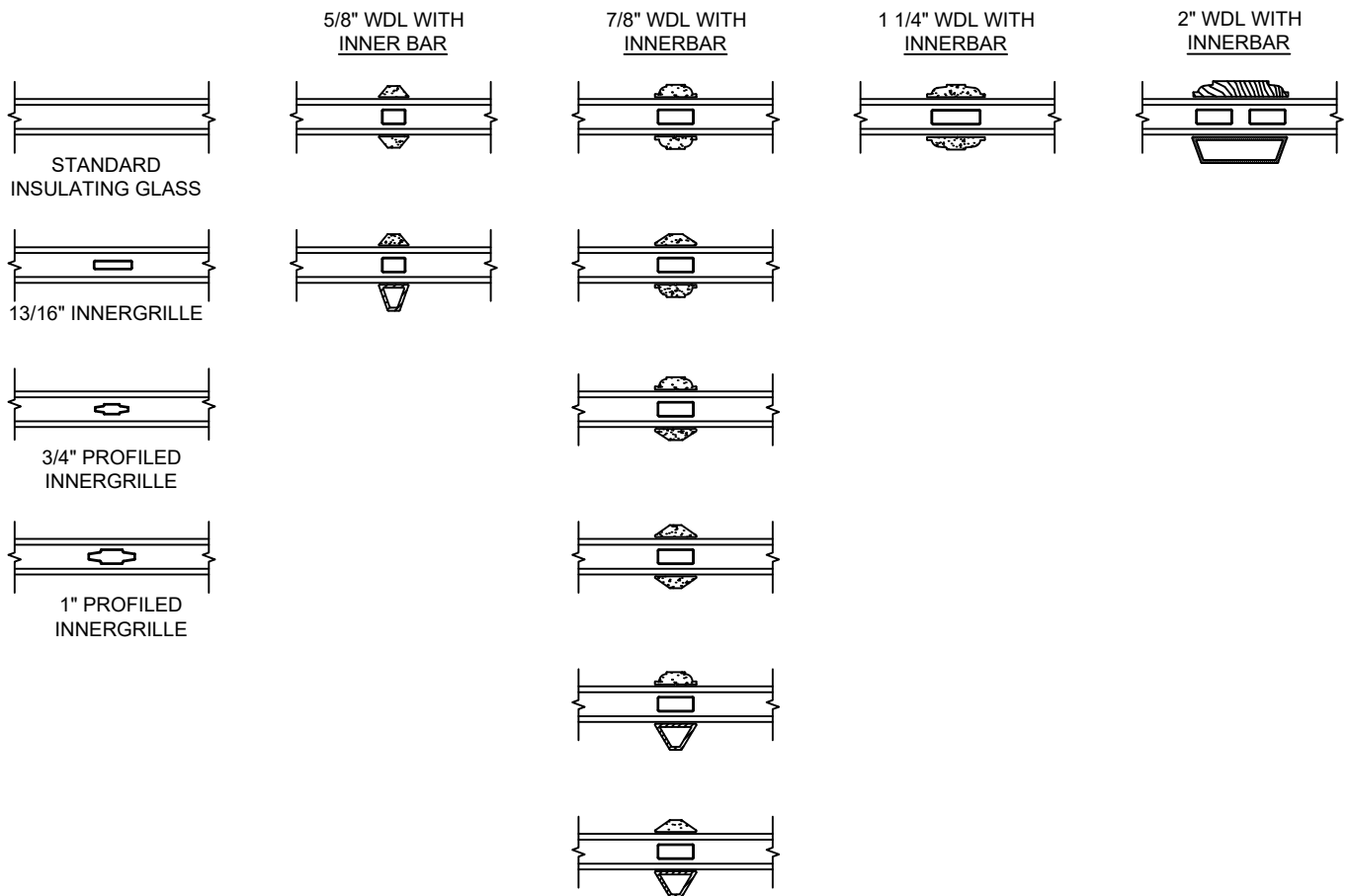
SCALE: 3" = 1'-0"



SEE BELOW FOR GRILLE OPTIONS

AVAILABLE STYLES

-  - PUTTY
-  - TALL PUTTY
-  - OGEE



NOTE:

* ALL WDL OPTIONS CAN BE ORDERED WITH OR WITHOUT INNER BAR




Legend Series

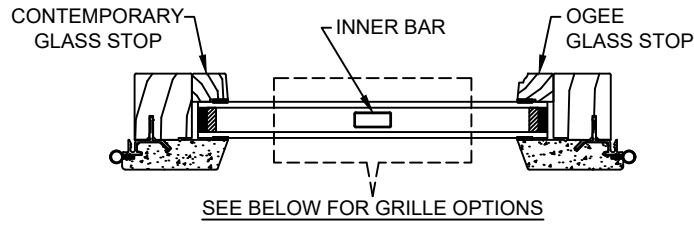
LEGEND DIRECT SET - IN-SASH

SECTION DETAILS : DIVIDED LITE OPTIONS

SCALE: 3" = 1'-0"

AVAILABLE STYLES

-  - PUTTY
-  - TALL PUTTY
-  - OGEE

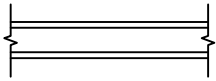


5/8" WDL WITH
INNER BAR

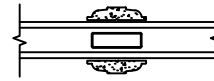
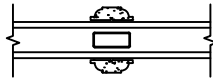
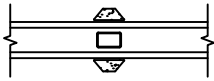
7/8" WDL WITH
INNER BAR

1 1/4" WDL WITH
INNER BAR

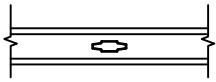
2" WDL WITH
INNER BAR



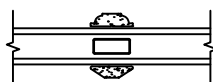
STANDARD
INSULATING GLASS



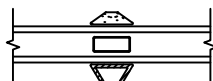
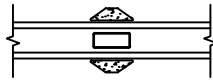
13/16" INNERGRILLE



3/4" PROFILED
INNERGRILLE



1" PROFILED
INNERGRILLE



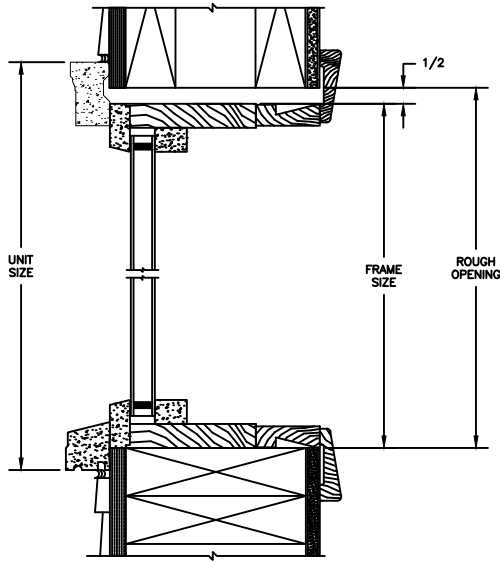
NOTE:

* ALL WDL OPTIONS CAN BE ORDERED WITH OR WITHOUT INNER BAR

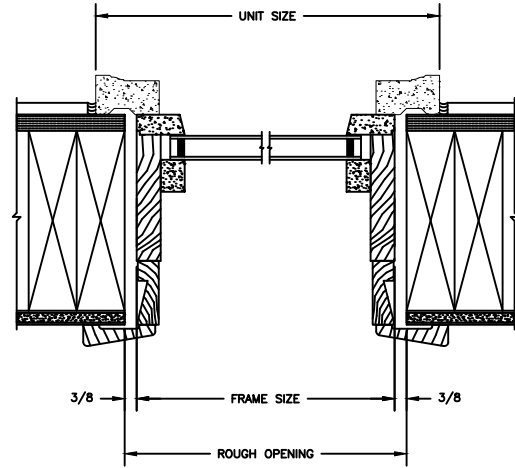
Legend Series

LEGEND DIRECT SET

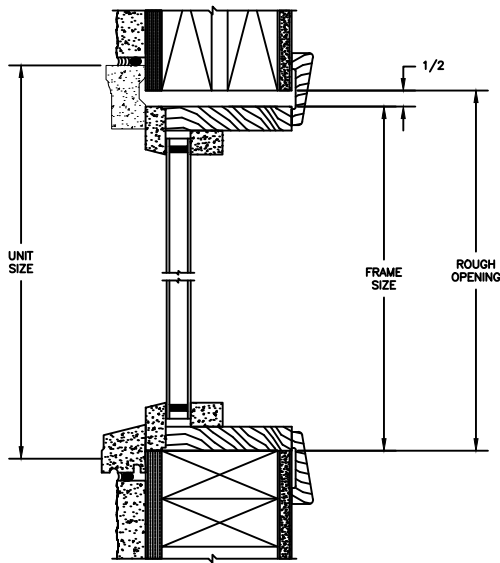
SECTION DETAILS : CONSTRUCTION
 SCALE: 2" = 1'-0"



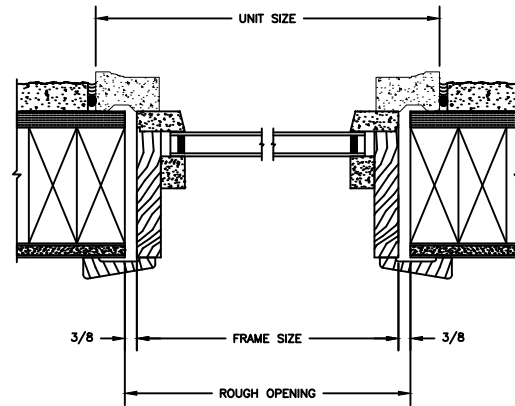
HEAD JAMB & SILL
 2 X 6 FRAME WITH SIDING



JAMBS
 2 X 6 FRAME WITH SIDING



HEAD JAMB & SILL
 2 X 4 FRAME WITH STUCCO



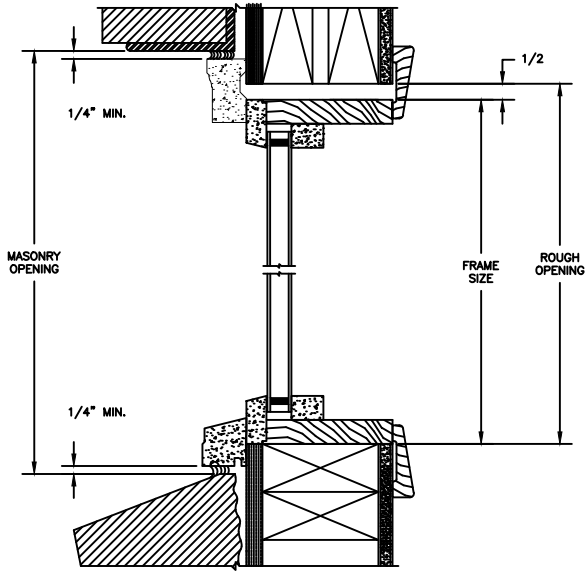
JAMBS
 2 X 4 FRAME WITH STUCCO

NOTE:
 THE ABOVE WALL SECTIONS REPRESENT TYPICAL WALL CONDITIONS, THESE DETAILS ARE NOT INTENDED AS INSTALLATIONS INSTRUCTIONS. PLEASE REFER TO THE INSTALLATION INSTRUCTIONS PROVIDED WITH THE PURCHASED UNITS.

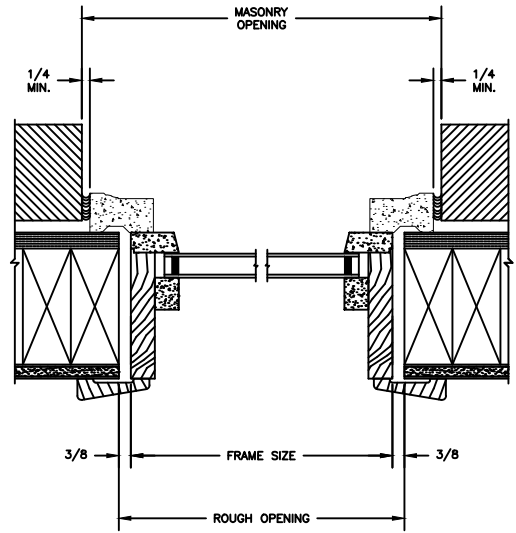
Legend Series

LEGEND DIRECT SET

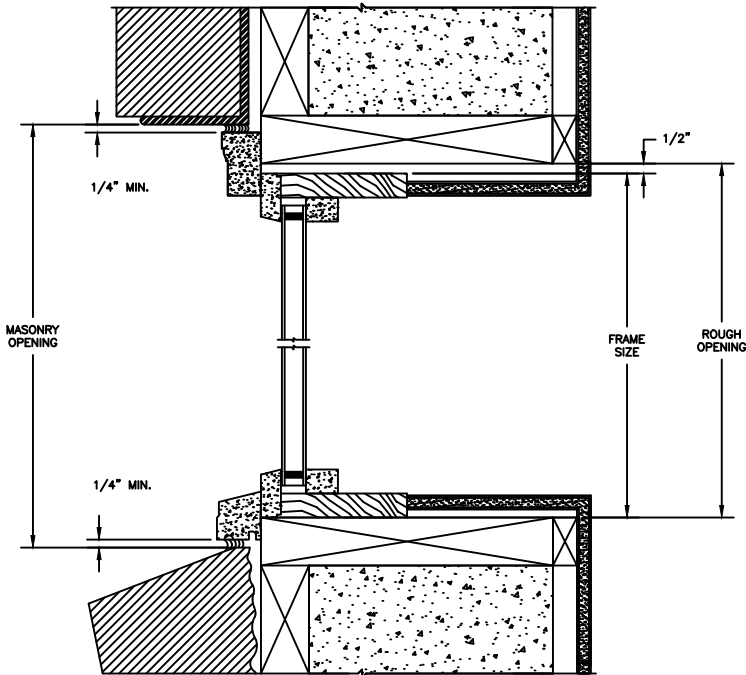
SECTION DETAILS : CONSTRUCTION
SCALE: 2" = 1'-0"



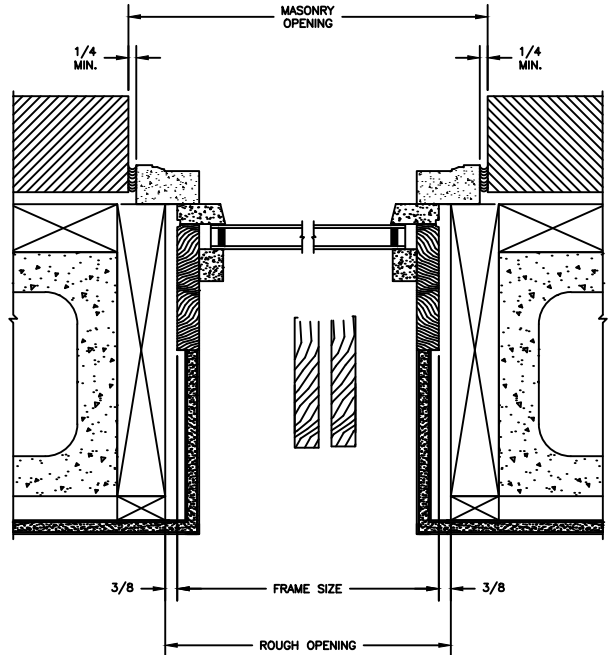
HEAD JAMB & SILL
2 X 4 FRAME WITH BRICK VENEER



JAMBS
2 X 4 FRAME WITH BRICK VENEER



HEAD JAMB & SILL
8" CONCRETE BLOCK WALL
WITH BRICK VENEER



JAMBS
8" CONCRETE BLOCK WALL
WITH BRICK VENEER

NOTE:
THE ABOVE WALL SECTIONS REPRESENT TYPICAL WALL CONDITIONS, THESE DETAILS ARE NOT INTENDED AS INSTALLATION INSTRUCTIONS. PLEASE REFER TO THE INSTALLATION INSTRUCTIONS PROVIDED WITH THE PURCHASED UNITS.