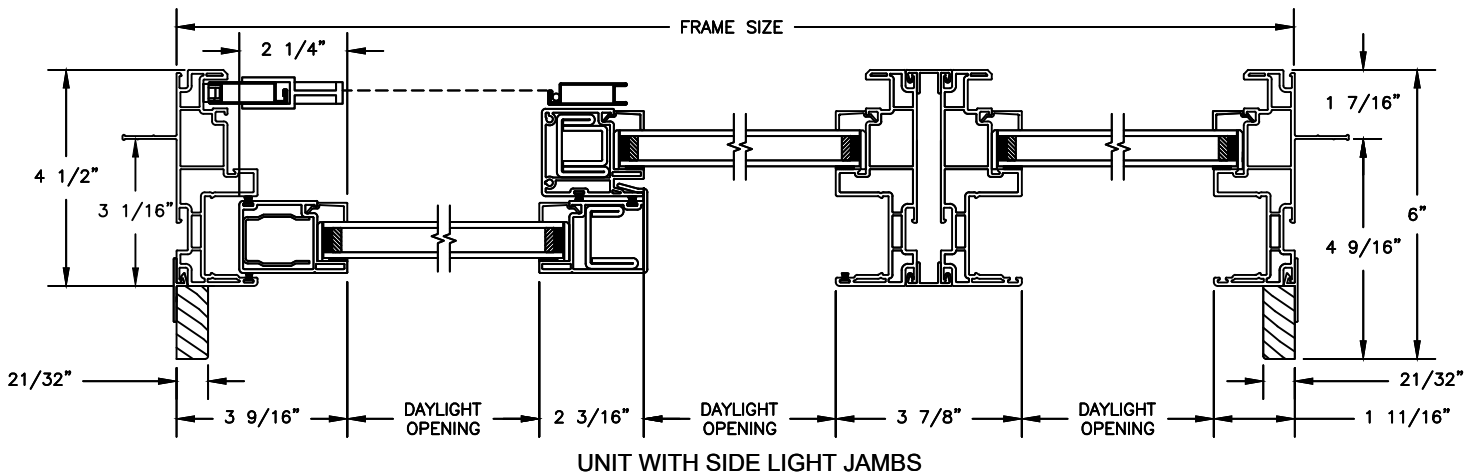
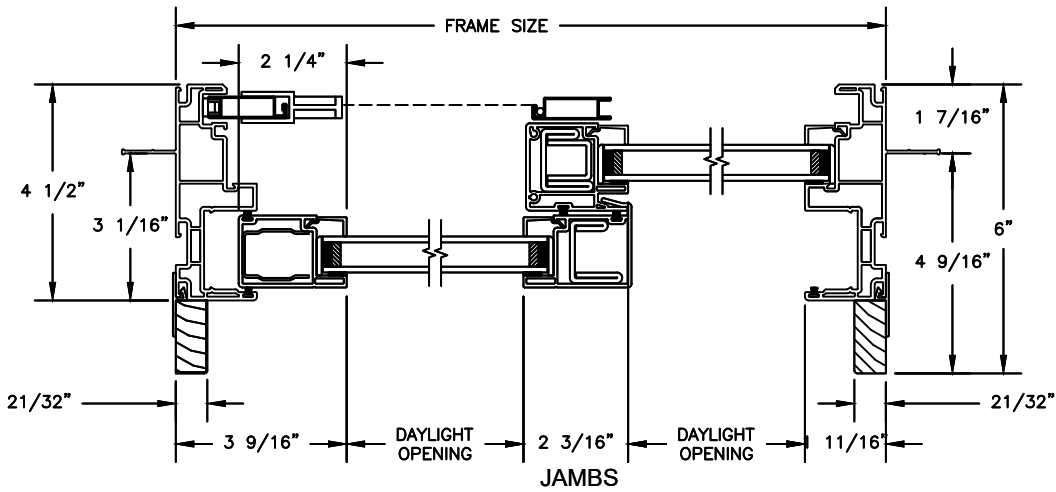
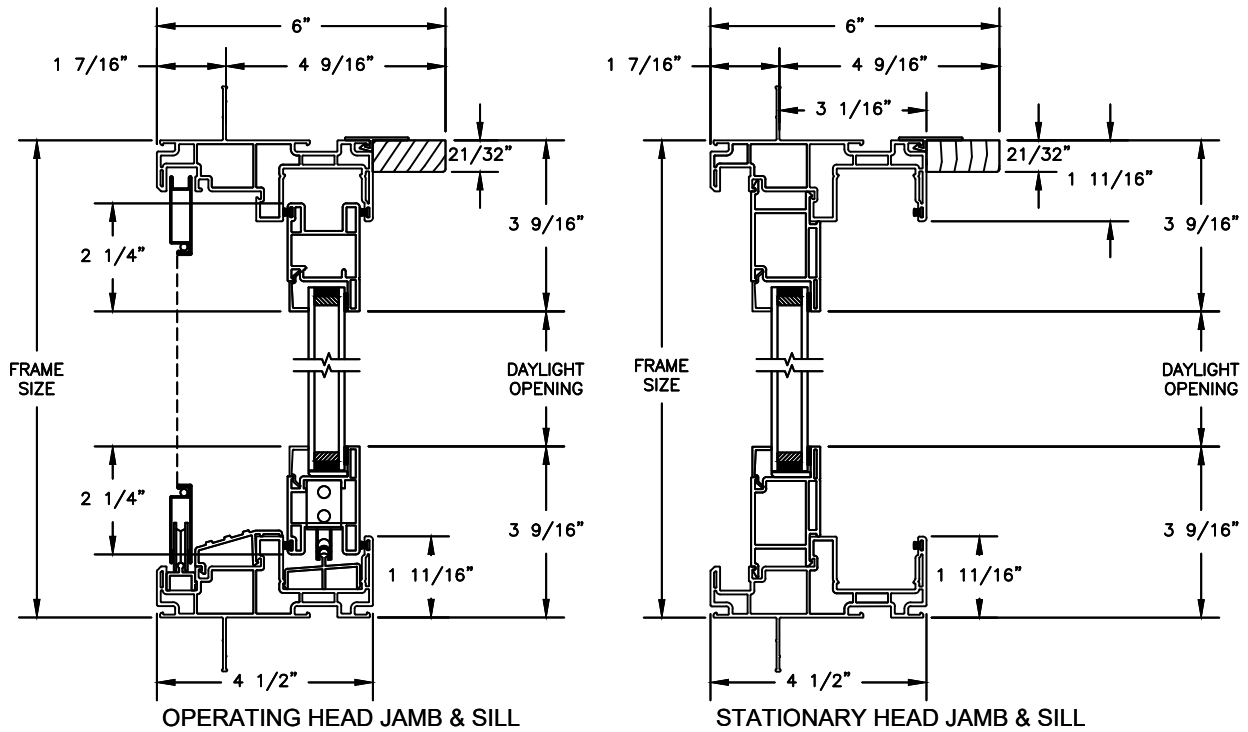


Next Dimension Signature Series

SLIDING PATIO DOOR

SECTION DETAILS

SCALE: 3" = 1'-0"

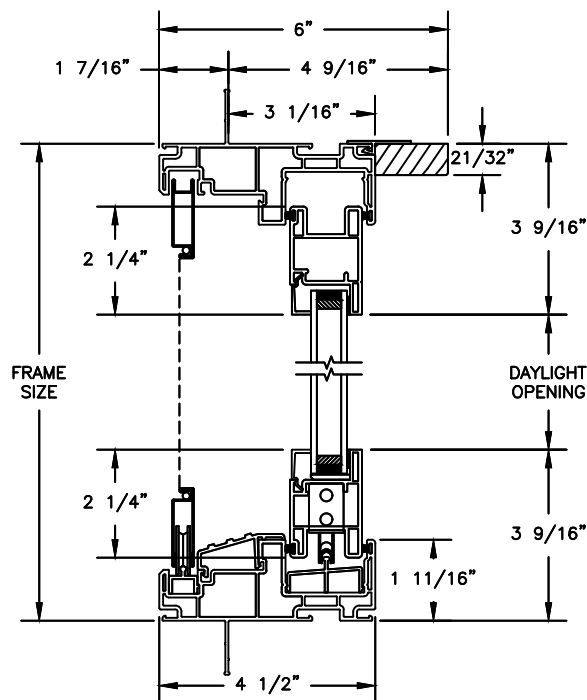


Next Dimension Signature Series

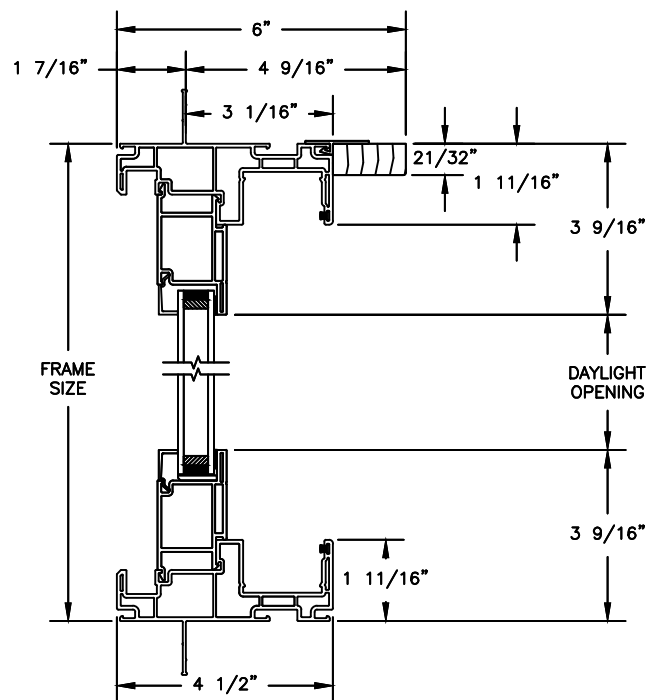
SLIDING PATIO DOOR

SECTION DETAILS: SIDELITE / TRANSOM

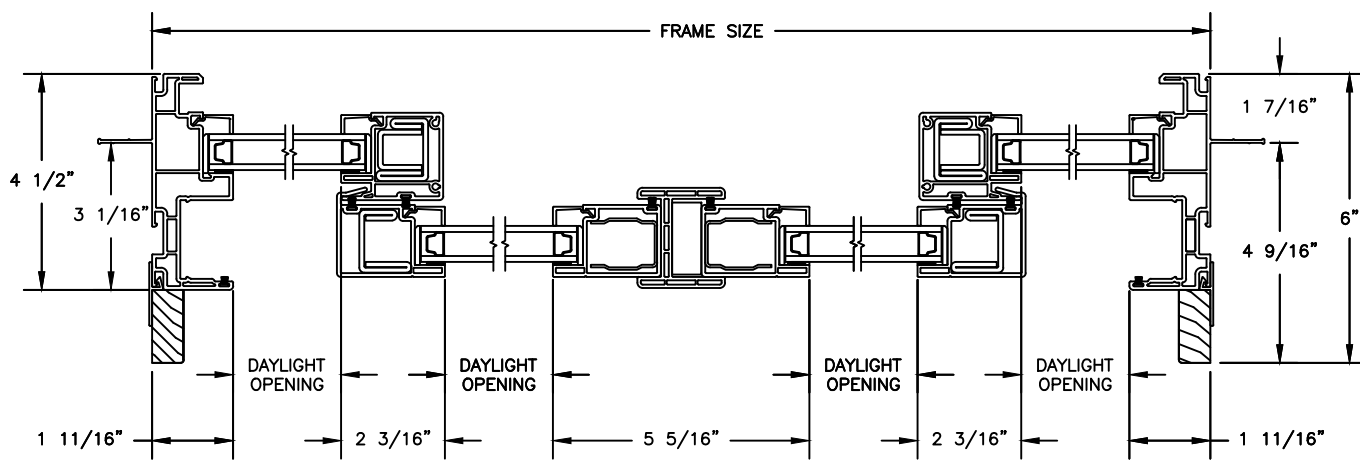
SCALE: 3" = 1'-0"



OPERATING HEAD JAMB & SILL



STATIONARY HEAD JAMB & SILL

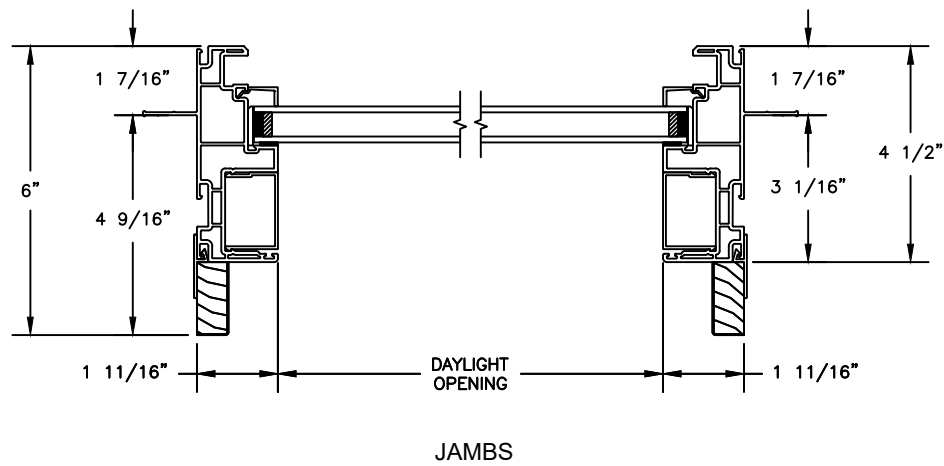
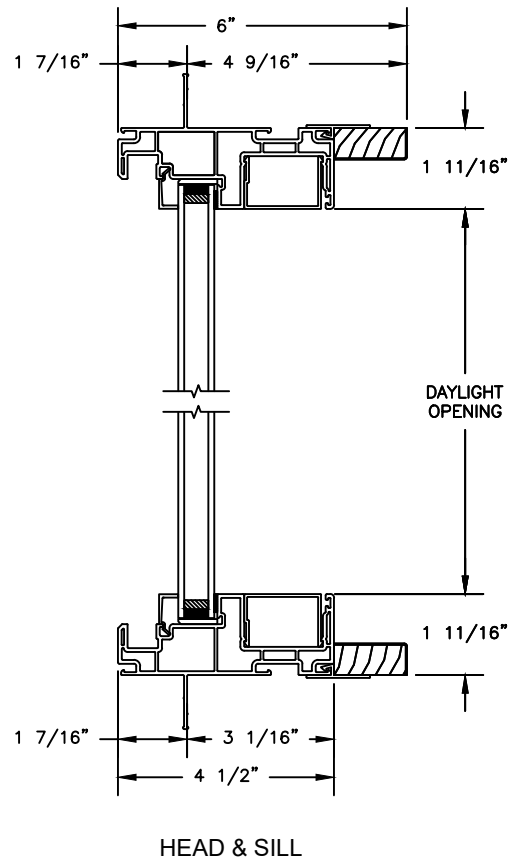


JAMBS

Next Dimension Signature Series

SLIDING PATIO DOOR

SECTION DETAILS: SIDELITE / TRANSOM
SCALE: 3" = 1'-0"

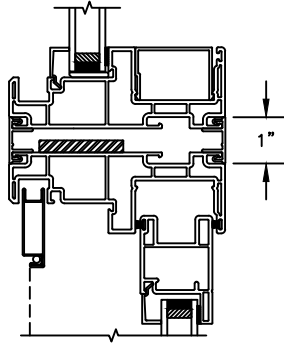


Next Dimension Signature Series

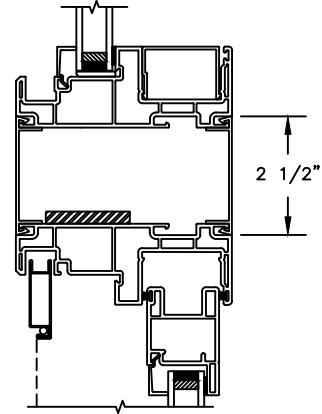
SLIDING PATIO DOOR

SECTION DETAILS: MULLIONS

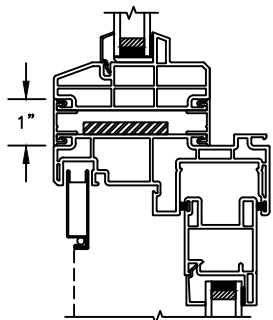
SCALE: 3" = 1'-0"



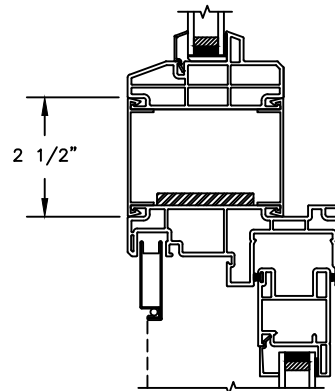
HORIZONTAL MULLION
TRANSOM/OPERATOR



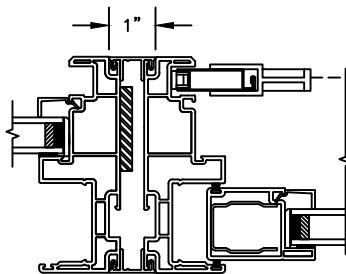
HORIZONTAL 2" MULLION
TRANSOM/OPERATOR



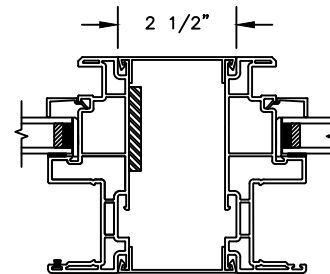
HORIZONTAL MULLION
RADIUS/OPERATOR



HORIZONTAL 2" MULLION
RADIUS/OPERATOR



VERTICAL MULLION
SIDELIGHT/OPERATOR



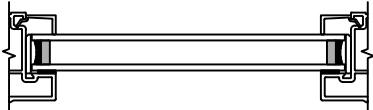
VERTICAL 2" MULLION
STATIONARY/SIDELIGHT

Next Dimension Signature Series

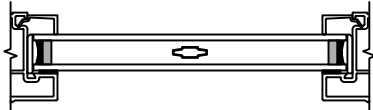
SLIDING PATIO DOOR

SECTION DETAILS : DIVIDED LITE OPTIONS

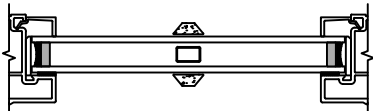
SCALE: 3" = 1'-0"



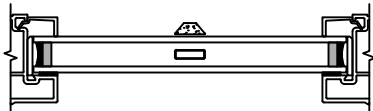
INSULATING GLASS



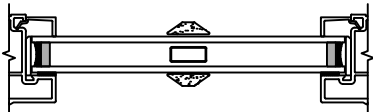
3/4" PROFILED INNERGRILLE



5/8" PUTTY WDL WITH INNERBAR



5/8" PUTTY WDL (EXTERIOR ONLY) WITH 5/8" FLAT INNERGRILLE



7/8" PUTTY WDL WITH INNERBAR



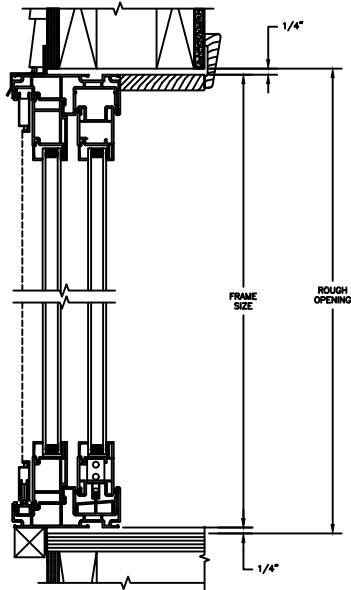
7/8" PUTTY WDL (EXTERIOR ONLY) WITH 13/16" FLAT INNERGRILLE

Next Dimension Signature Series

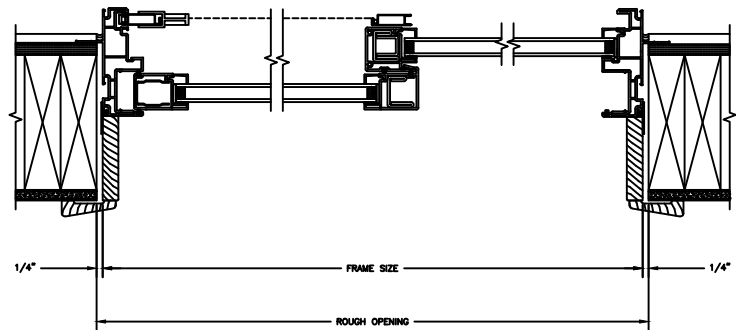
SLIDING PATIO DOOR

SECTION DETAILS : CONSTRUCTION

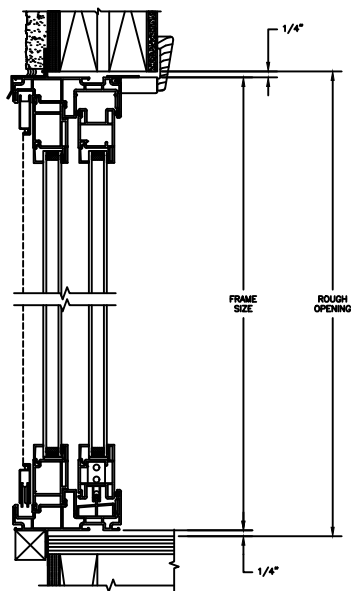
SCALE: 1 1/2" = 1'-0"



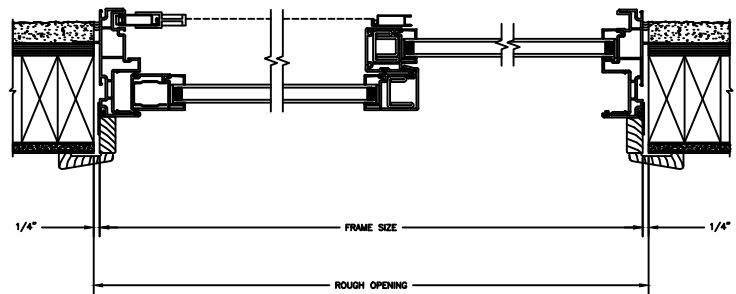
HEAD JAMB & SILL
2 X 6 FRAME WITH SIDING



JAMBS
2 X 6 FRAME WITH SIDING



HEAD JAMB & SILL
2 X 4 FRAME WITH STUCCO



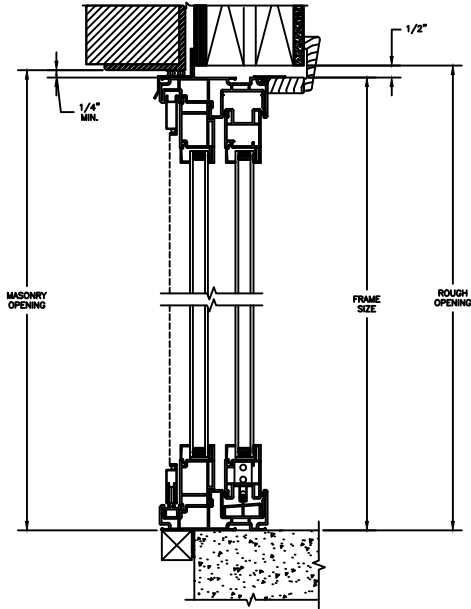
JAMBS
2 X 4 FRAME WITH STUCCO

Next Dimension Signature Series

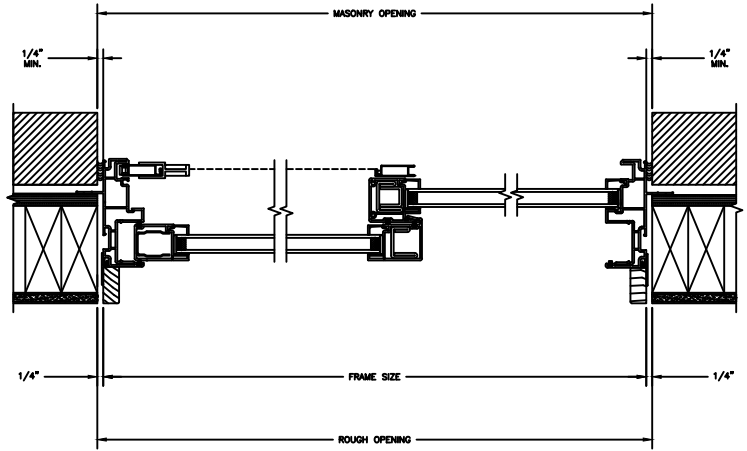
SLIDING PATIO DOOR

SECTION DETAILS : CONSTRUCTION

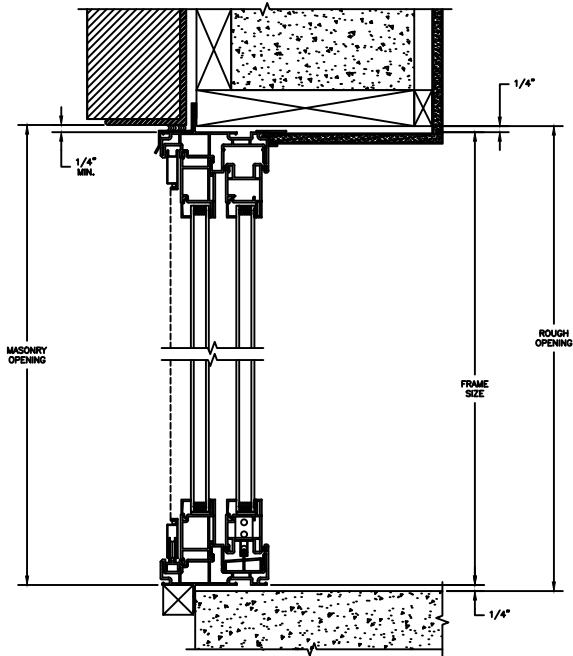
SCALE: 1 1/2" = 1'-0"



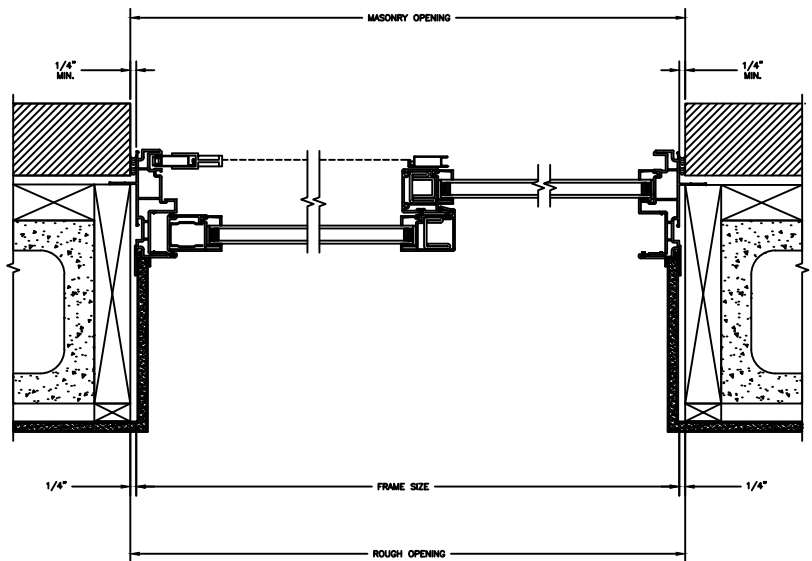
HEAD JAMB & SILL
2 X 6 FRAME WITH BRICK VENEER



JAMBS
2 X 6 FRAME WITH BRICK VENEER



HEAD JAMB & SILL
8" CONCRETE BLOCK WALL
WITH BRICK VENEER



JAMBS
8" CONCRETE BLOCK WALL
WITH BRICK VENEER