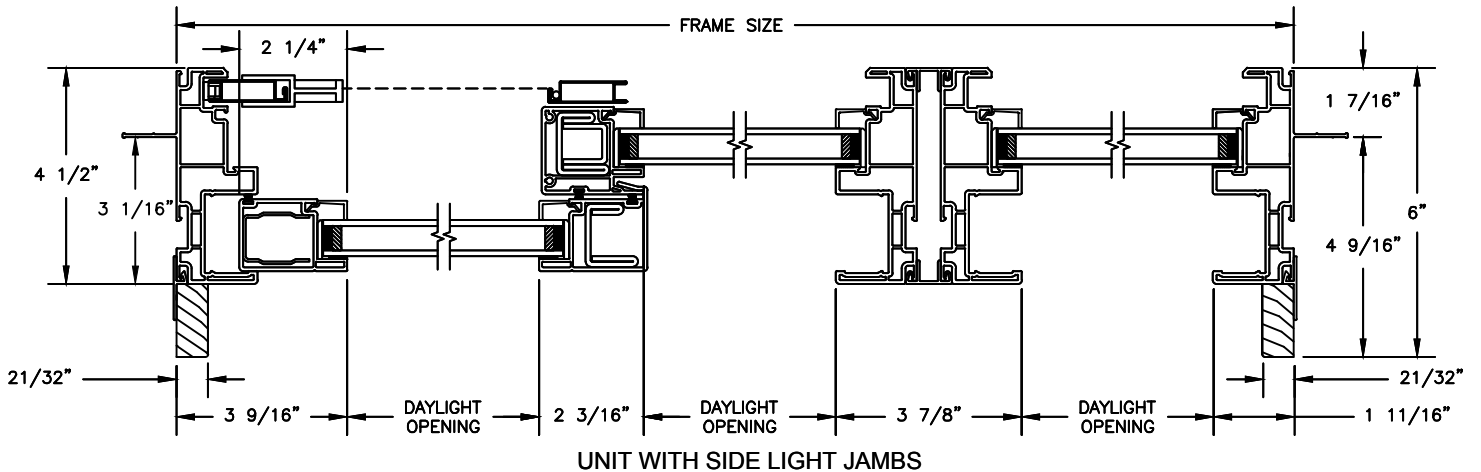
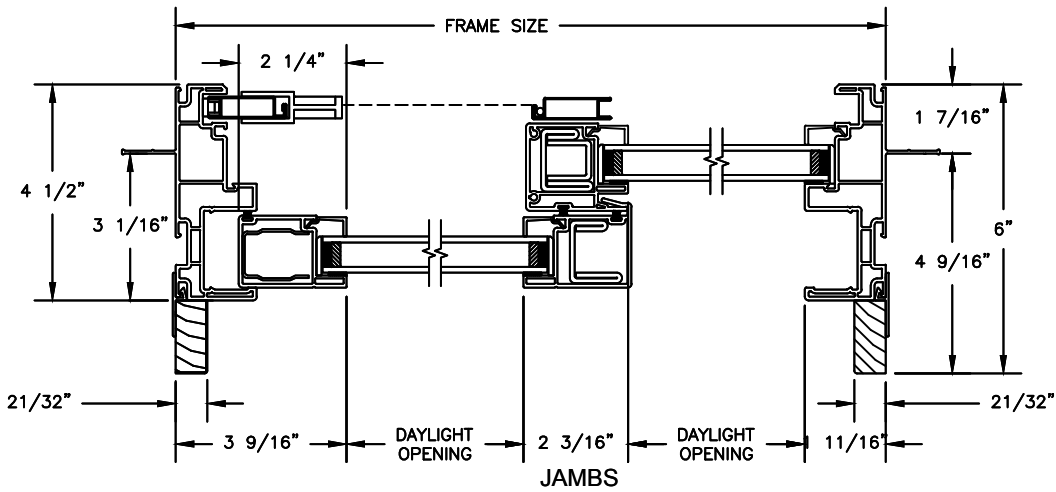
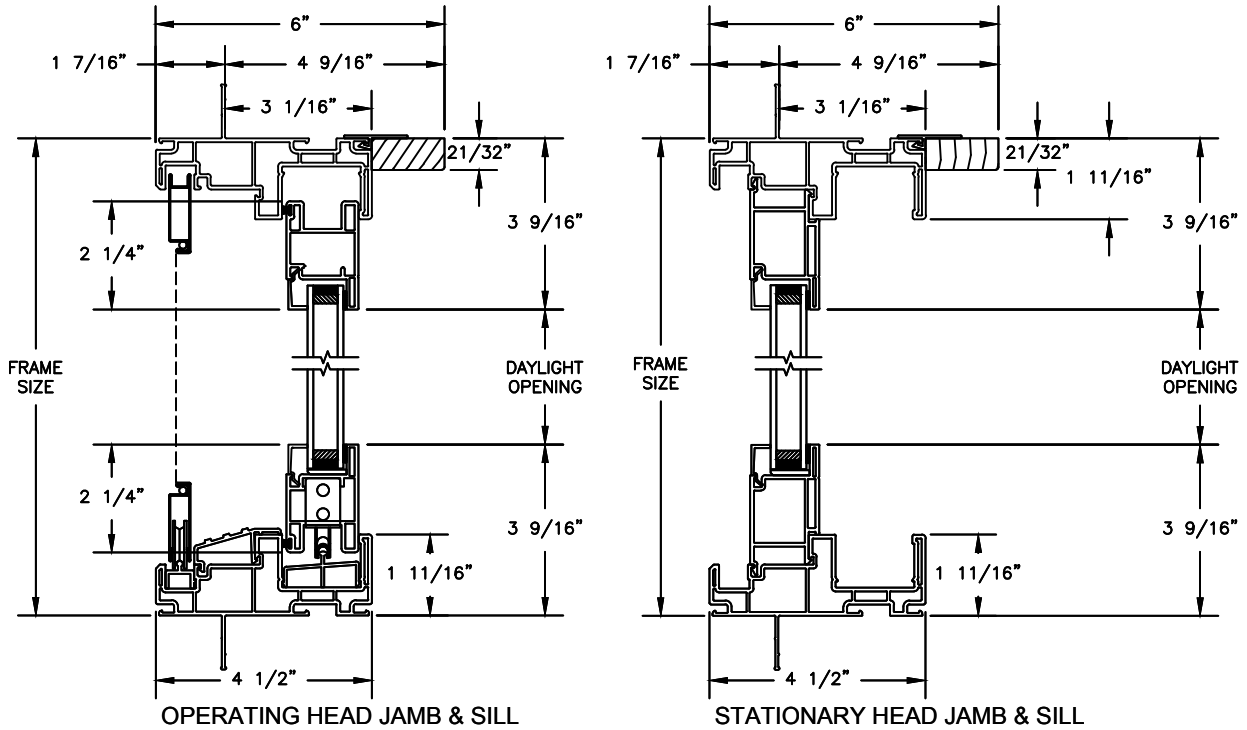


# Next Dimension Signature Series

## SLIDING PATIO DOOR

SECTION DETAILS

SCALE: 3" = 1'-0"

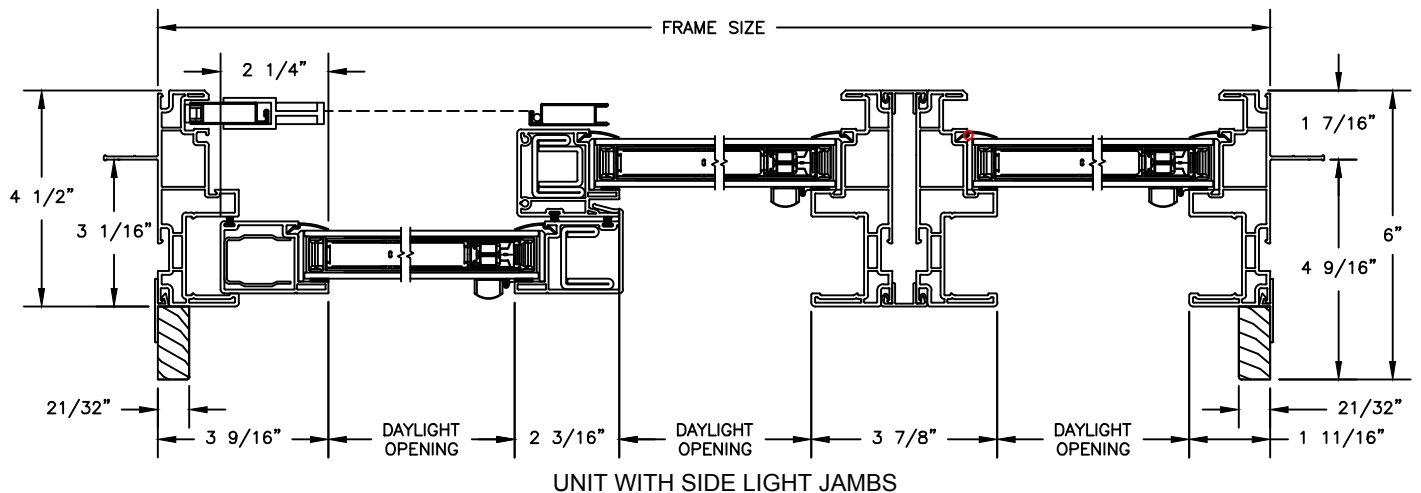
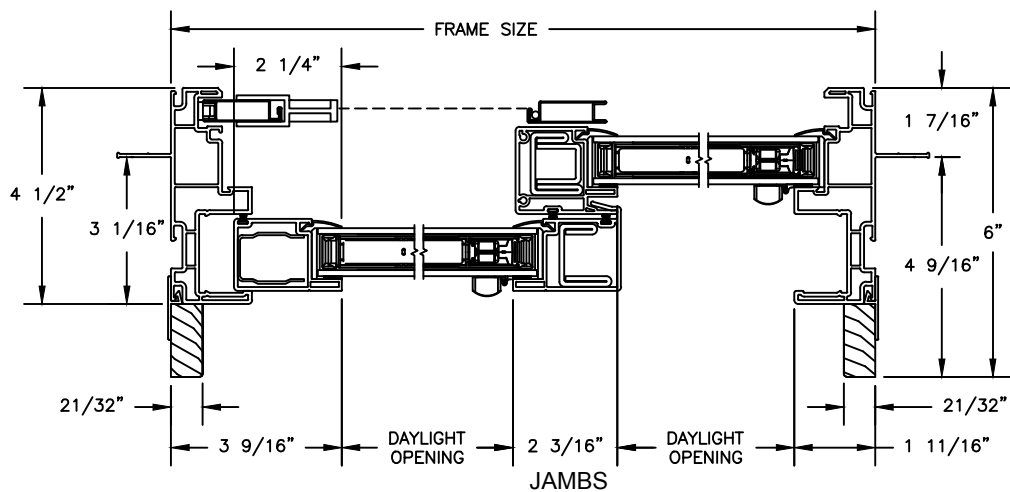
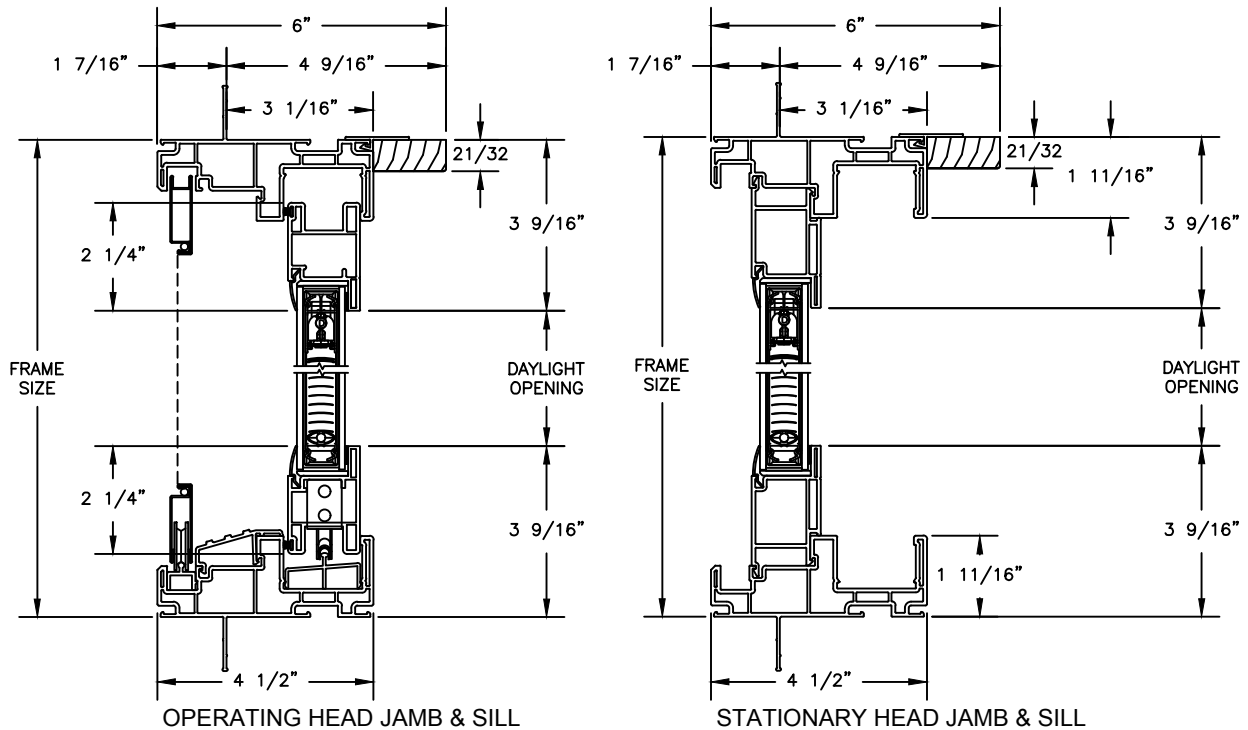


# Next Dimension Signature Series

## SLIDING PATIO DOOR

SECTION DETAILS: BLINDS BETWEEN GLASS

SCALE: 3" = 1'-0"

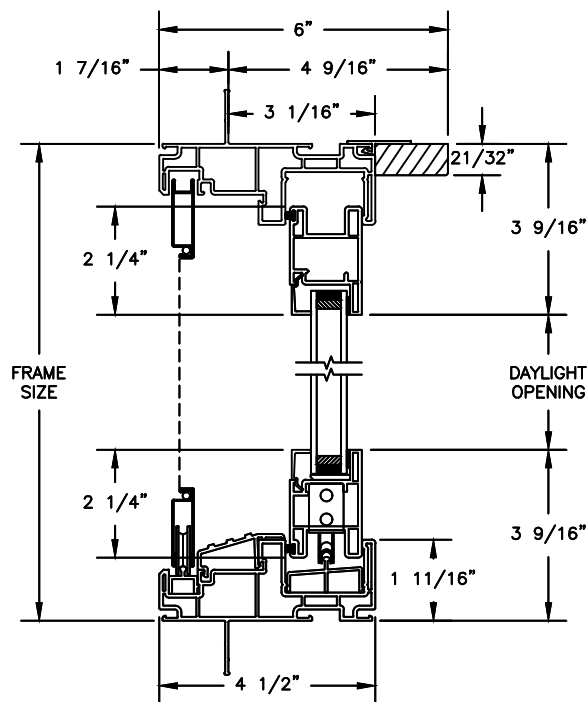


# Next Dimension Signature Series

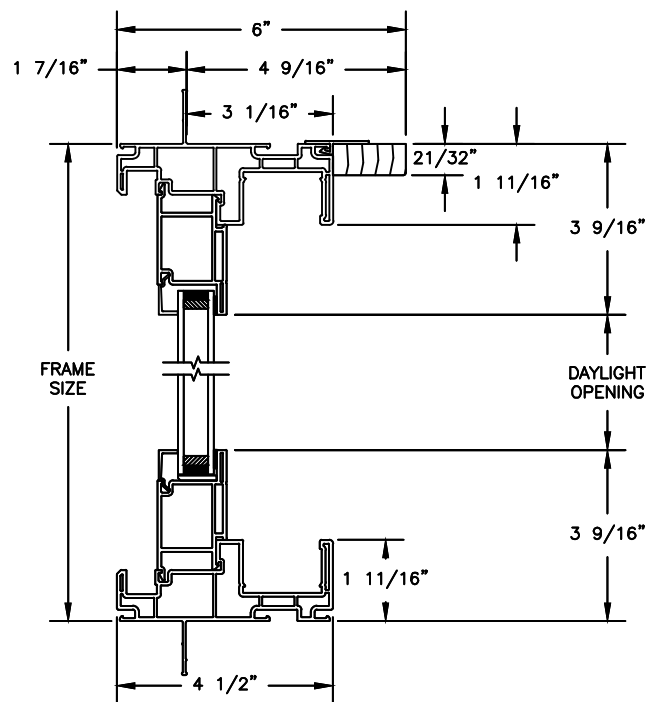
## SLIDING PATIO DOOR

SECTION DETAILS

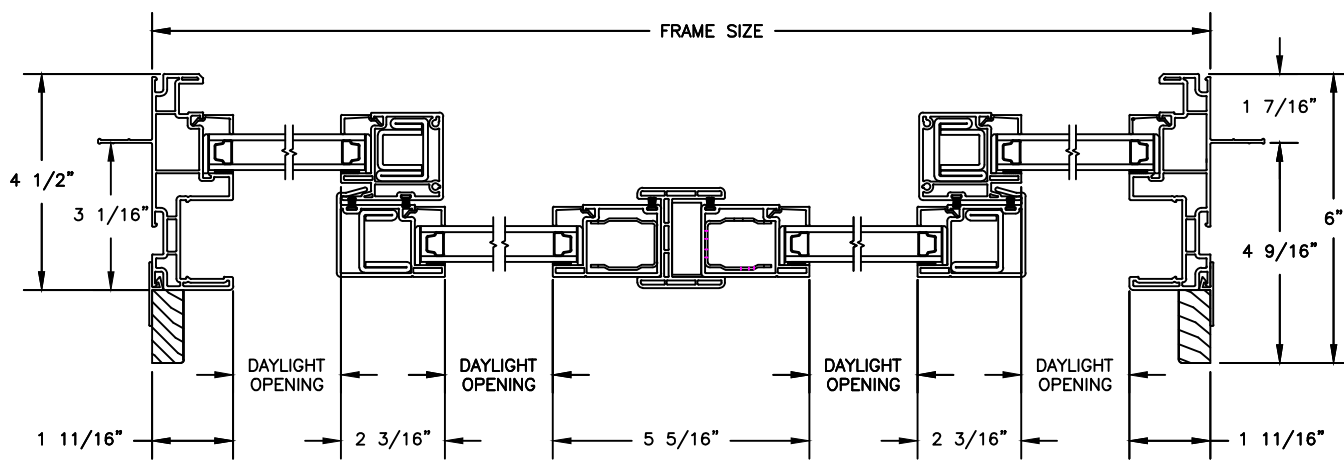
SCALE: 3" = 1'-0"



OPERATING HEAD JAMB & SILL



STATIONARY HEAD JAMB & SILL



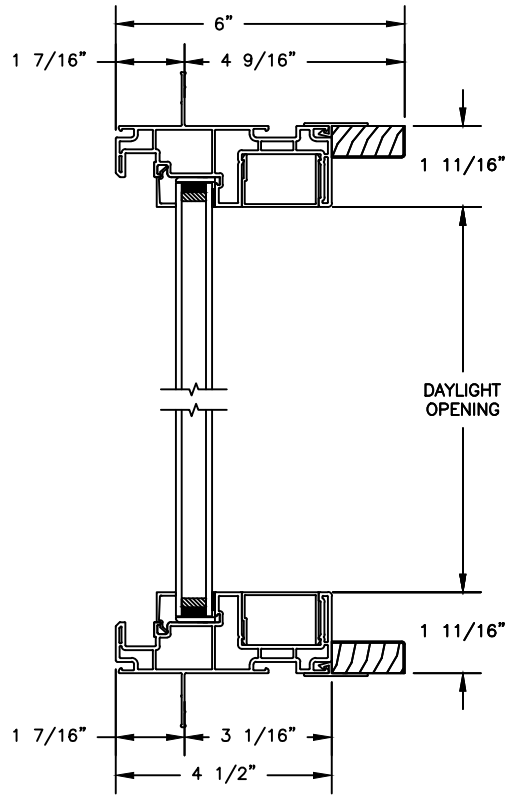
JAMBS

# Next Dimension Signature Series

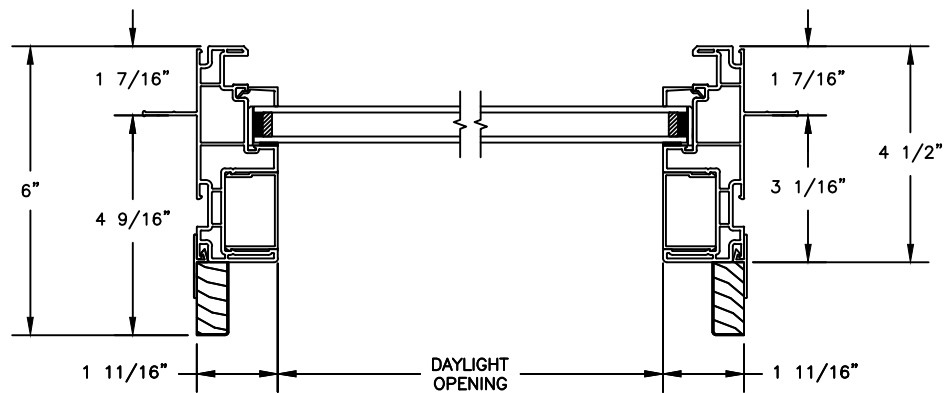
## SLIDING PATIO DOOR

SECTION DETAILS: SIDELITE / TRANSOM

SCALE: 3" = 1'-0"



HEAD & SILL



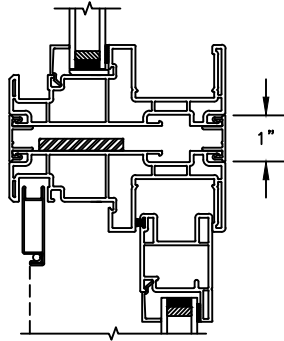
JAMBS

# Next Dimension Signature Series

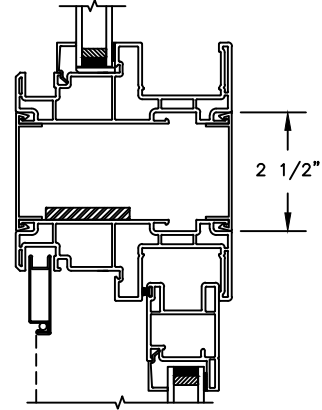
## SLIDING PATIO DOOR

SECTION DETAILS: MULLIONS

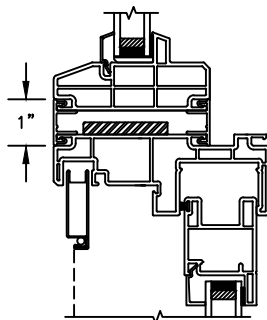
SCALE: 3" = 1'-0"



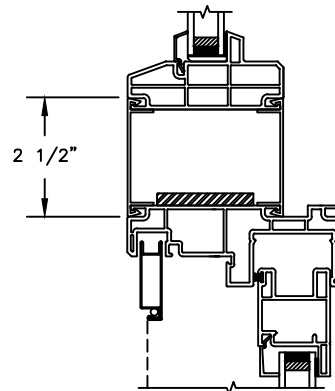
HORIZONTAL MULLION  
TRANSOM/OPERATOR



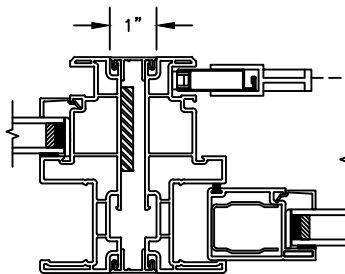
HORIZONTAL 2" MULLION  
TRANSOM/OPERATOR



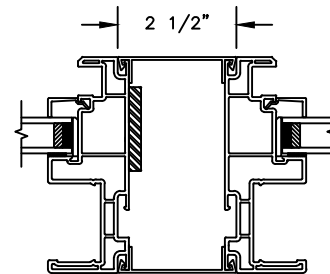
HORIZONTAL MULLION  
RADIUS/OPERATOR



HORIZONTAL 2" MULLION  
RADIUS/OPERATOR



VERTICAL MULLION  
SIDELIGHT/OPERATOR



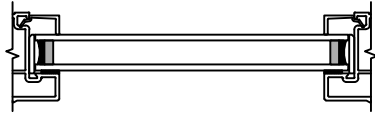
VERTICAL 2" MULLION  
STATIONARY/SIDELIGHT

# Next Dimension Signature Series

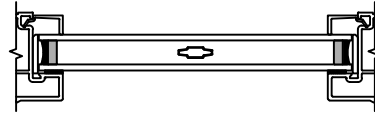
## SLIDING PATIO DOOR

SECTION DETAILS : DIVIDED LITE OPTIONS

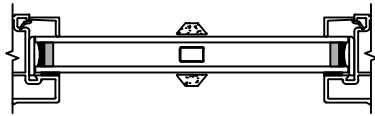
SCALE: 3" = 1'-0"



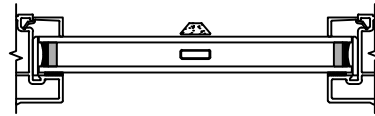
INSULATING GLASS



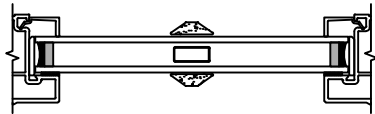
3/4" PROFILED INNERGRILLE



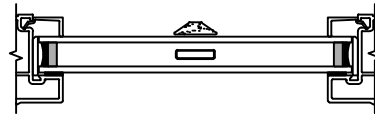
5/8" PUTTY WDL  
WITH INNERBAR



5/8" PUTTY WDL (EXTERIOR ONLY)  
WITH 5/8" FLAT INNERGRILLE



7/8" PUTTY WDL  
WITH INNERBAR



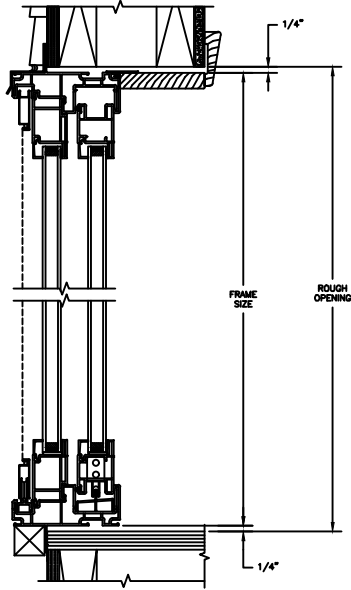
7/8" PUTTY WDL (EXTERIOR ONLY)  
WITH 13/16" FLAT INNERGRILLE

# Next Dimension Signature Series

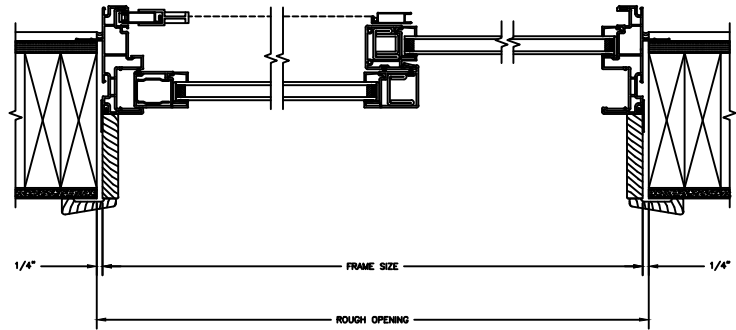
## SLIDING PATIO DOOR

SECTION DETAILS : CONSTRUCTION

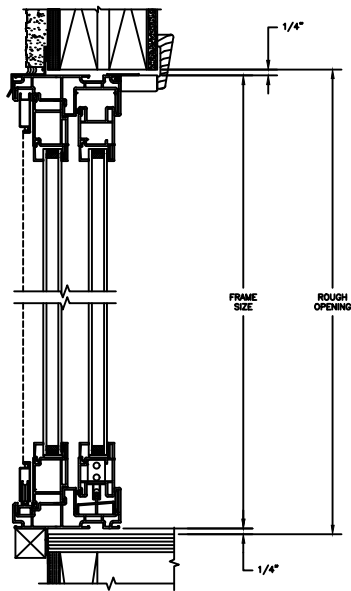
SCALE: 1 1/2" = 1'-0"



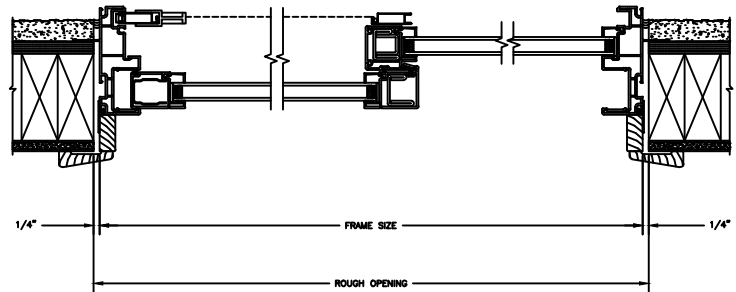
HEAD JAMB & SILL  
2 X 6 FRAME WITH SIDING



JAMBS  
2 X 6 FRAME WITH SIDING



HEAD JAMB & SILL  
2 X 4 FRAME WITH STUCCO



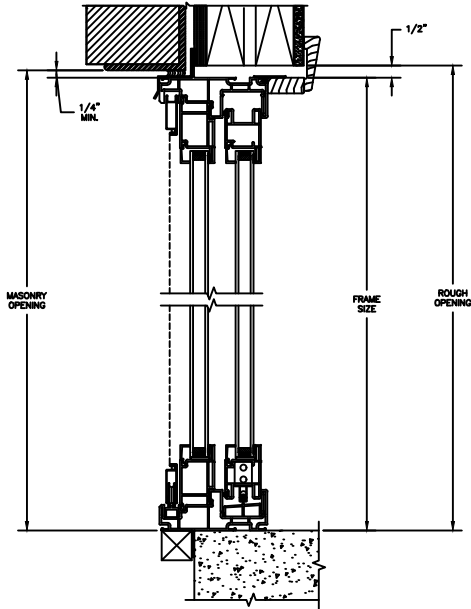
JAMBS  
2 X 4 FRAME WITH STUCCO

# Next Dimension Signature Series

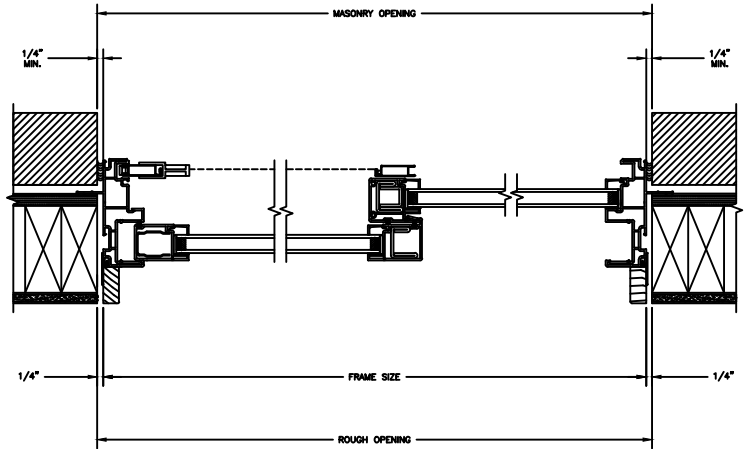
## SLIDING PATIO DOOR

SECTION DETAILS : CONSTRUCTION

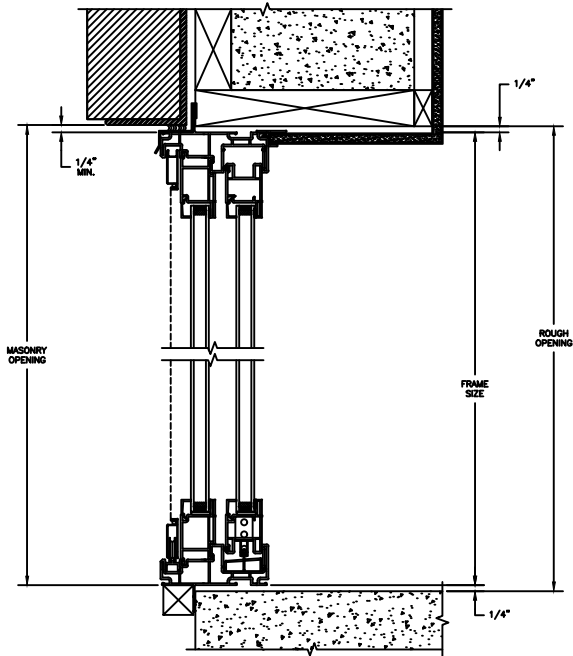
SCALE: 1 1/2" = 1'-0"



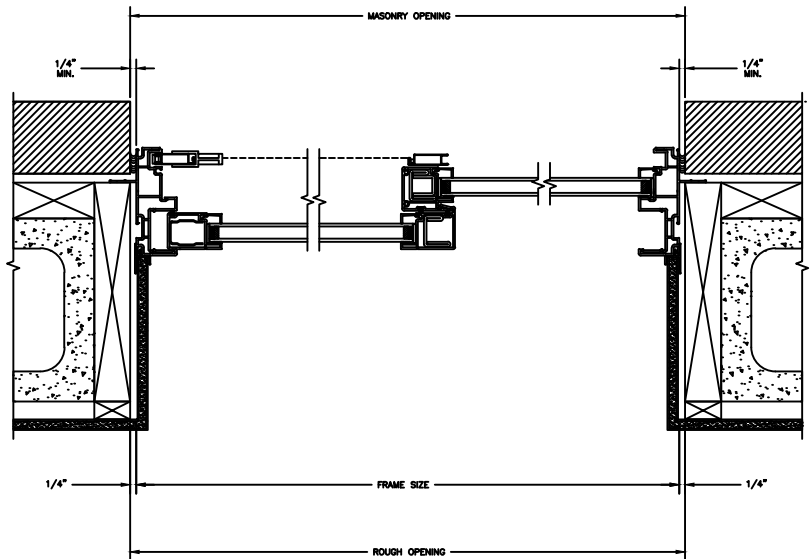
HEAD JAMB & SILL  
2 X 6 FRAME WITH BRICK VENEER



JAMBS  
2 X 6 FRAME WITH BRICK VENEER



HEAD JAMB & SILL  
8" CONCRETE BLOCK WALL  
WITH BRICK VENEER



JAMBS  
8" CONCRETE BLOCK WALL  
WITH BRICK VENEER